



- ▶ EN SALT ELECTROLYSIS SYSTEM
- ▶ ES SISTEMA DE ELECTRÓLISIS SALINA
- ▶ FR SYSTÈME D'ÉLECTROLYSE SALINE
- ▶ DE SALZELEKROLYSESYSTEM
- ▶ IT SISTEMA PER L'ELETTROLISI DEL SALE
- ▶ NL ZOUTELEKTROLYSESYSTEMEN
- ▶ PT SISTEMA DE ELECTRÓLISE SALINA



## Instruction Manual - Manual de Instrucciones Manuel d'instructions - Bedienungsanleitung Manuale delle istruzioni - Handleiding met instructies Manual de instruções

We reserve to change all of part of the articles or contents of this document, without prior notice.

Nos reservamos el derecho de cambiar total o parcialmente las características de nuestros artículos o contenido de este documento sin previo aviso.

Nous nous réservons le droit de modifier totalement ou en partie les caractéristiques de nos articles ou le contenu de ce document sans pré avis.

Wir behalten uns das recht vor die eigenschaften unserer produkte oder den inhalt diese prospektes teilweise oder wollständig, ohne vorherige benachichtigung su andern.

Ci riservamo il diritto di cambiare totalmente o parzialmente le caratteristiche tecniche dei nostri prodotti ed il contenuto di questo documento senza nessesm preavviso.

Wij behouden ons het recht voor geheel of gedeelteilijk de kenmerken van onze artikelen of de inhoud van deze handleiding zonder voorafgaand bericht te wijzigen.

Reservamo-nos no direito de alterar, total ou parcialmente as características os nossos artigos ou o conteúdo deste documento sem aviso prévio.

DISTRIBUTED BY / DISTRIBUIDO POR / DISTRIBUÉ PAR / VERTRIEB DURCH / DISTRIBUITO DA / DISTRIBUÍDO POR:

MANUFACTURAS GRE, S.A. ARITZ BIDEA N° 57 BELAKO INDUSTRIALDEA, APARTADO 69 - 48100 MUNGUIA (VIZCAYA) ESPAÑA N° Reg. Ind. 48-06762

MADE IN CHINA / FABRICADO EN CHINA / FABRIQUÉ AU CHINE / HERGESTELLT IN CHINA / PRODOTTO IN CHINA / FABRICADO NA RPC

**IMPORTANT: The instruction manual you are holding includes essential information on the safety measures to be implemented for installation and start-up. Therefore, the installer as well as the user must read the instructions before beginning installation and start-up. Keep this manual for future reference.**



## Disposal of waste electrical and electronic domestic systems in the European Union

All the products marked with this symbol indicate that the product shall not be mixed or disposed with your household waste at their end of use. It is responsibility of the user to eliminate this kind of wastes depositing them in a recycling point adapted for the selective disposal of electrical and electronic wastes. The suitable recycling and treatment of these wastes contributes in essential way to the preservation of the Environment and the health of the users. For further information regarding the points of collection of this type of wastes, please contact to the dealer where you acquired the product or to your municipal authority.

The instructions given in this manual describe the operation and maintenance of salt electrolysis systems. For optimum performance of the salt electrolysis systems, we recommend you to follow the instructions given below:

## 1. CHECK THE CONTENTS OF THE PACK: \_\_\_\_\_

You should find the following elements inside the box:

- Power supply.
- Electrolysis cell.
- Operation Manual.

## 2. CARACTERISTICAS GENERALES: \_\_\_\_\_

When the salt electrolysis system is installed, a quantity of salt must be dissolved into the swimming pool water. This salty water then passes through the electrolysis cell that is located in the plant room. The salt electrolysis system consists of two elements: an electrolysis cell and a power supply. The electrolysis cell contains a quantity of titanium plates (electrodes) and when a weak electrical current is passed through the plates inside the electrolysis cell, there is chlorine production. Maintaining a level of chlorine in swimming pool water keeps the water sanitised and healthy to swim in. The salt electrolysis system will manufacture chlorine whenever the pool circulation system (pump and filter) is operational.

The power supply is provided with various safety devices, which are activated in case of irregular operation of the system, as well as a microprocessor driven control system. The salt electrolysis systems have an automatic cleaning system that avoids scale formation on the electrodes

### 3. SAFETY WARNINGS AND RECOMMENDATIONS: \_\_\_\_\_

- The equipment should be assembled and handled by truly qualified people.
- Current electrical and accident prevention regulations should be followed.
- Under no circumstances will the manufacturer be held responsible for the assembly, installation or start-up, nor any handling or fitting of components unless they are carried out on its premises.
- The salt electrolysis systems operate at 230VAC, 50/60 Hz. Do not attempt to alter the system to operate at a different voltage.
- Check that all the electrical connectors are well tightened to avoid false contacts and their consequent overheating.
- Before installing or replacing any component, disconnect the equipment from the mains, and use exclusively spare parts supplied by the manufacturer.
- Taking into account the fact that the equipment produces heat, it must be installed in places with sufficient ventilation. Fan openings should be kept free of any element that could obstruct them. The equipment should not be installed near flammable materials.
- The salt electrolysis systems have an IP24 protection degree. They should never be installed in places susceptible to flooding.

#### POWER SUPPLY:

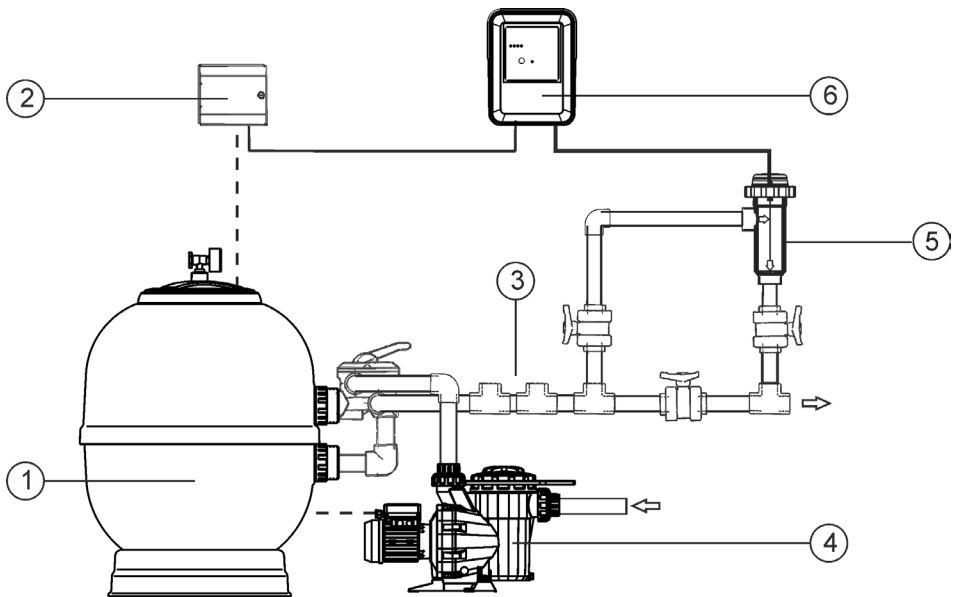
DESCRIPTION	MODEL	
	SCG60 (MOD.12)	SCG100 (MOD.21)
Standard working voltage	230 V AC, 50 Hz./60 Hz.	
Output (dc)	6 A x 2	3.5 A x 6
Producción (g/h)	10 - 12	17 - 21
Pool volume (m <sup>3</sup> ) Warm: 16 - 24°C Hot: +25°C	60 50	100 80
Flow detection	Gas detector	
Salinity /Temperature range	5 ... 12 g./l. / +15 - 40 °C	
Electrodes	SELF-CLEANING coated Titanium Estimated lifetime: 8.000 - 10.000 hours of operation (depending on water quality) <sup>(2)</sup>	
Production control	0 - 50 - 75 - 100 % ( 3 production levels)	
Polarity switch	Programmable: 2 <sup>(1)</sup> / 3 hours (jumper in control board) + test mode	
Salt level protection	Automatic protection of output current	

<sup>(1)</sup> Factory default.

<sup>(2)</sup> Under ideal conditions: salinity (6 g/l), pH (7.2), water hardness (120 mg/l) and minimum flow rate.

## ELECTROLYSIS CELL

DESCRIPTION	MODEL	
	SCG60 (MOD.12)	SCG100 (MOD.21)
Minimum recirculation flow	2 m <sup>3</sup> /h	3 m <sup>3</sup> /h
Electrode number	5	7
Material	Methacrylate derivate	
Pipe connections	Gluing with PVC adhesive Ø 63 mm	
Max. Recommended pressure	1 Kg./cm <sup>2</sup>	
Working temperature	Less than 40°C (104 °F)	



- 1.- Filter
- 2.- Switchbox
- 3.- Other equipment (heat exchanger, UV, etc.).

- 4.- Pump.
- 5.- Electrolysis cell
- 6.- Power supply

Fig.1 Recommended installation diagram.

## 4. INSTALLATION:

### 4.1. Installation of the power supply

Always install the POWER SUPPLY of the salt electrolysis system VERTICALLY on a solid and rigid surface (wall) as shown in the recommended installation diagram (Fig. 1). In order to guarantee a good state of conservation, the POWER SUPPLY should be installed in a well-ventilated dry place. Due to IP degree of the POWER SUPPLY the salt electrolysis system should not be installed outdoors. The POWER SUPPLY should be installed a bit distant from the electrolysis cell so that it cannot accidentally suffer water splashes.

### Warning



**Beware of corrosive atmosphere formation due to pH decreasing solutions (specially, those ones based on hydrochloric acid "HCl"). Do not install the salt electrolysis system near to any stores of these chemicals. We strongly recommend the use of chemicals based on sodium bisulphate or diluted sulphuric acid. Power supply must be connected to the electrical control box of the pool, so that the pump and the salt electrolysis system are turned on (and off) simultaneously.**

### 4.2. Installation of the electrolysis cell

The electrolysis cell is made of a transparent polymer in whose interior the electrodes are placed. The electrolysis cell must be always installed indoors and **after the pool filter**, and after any other equipment that may be present (heat pumps, control systems, etc.).

The installation of the cell should allow easy access to the installed electrodes by the user. It is highly recommended to install the electrolysis cell in a place of the pipe that can be easily isolated from the rest of the installation by two valves, so that the tasks of maintenance can be carried out with no need of partial or total draining of the swimming pool.

Where the cell is installed on a by-pass (recommended option), a valve to regulate the flow must be introduced. Prior to installation, please consider the following commentaries:

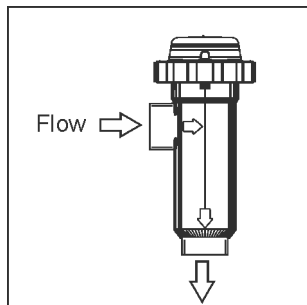


Fig. 2

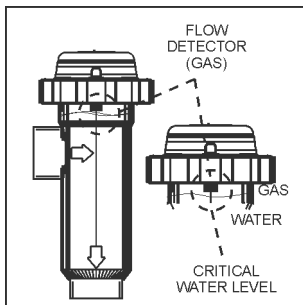


Fig. 3

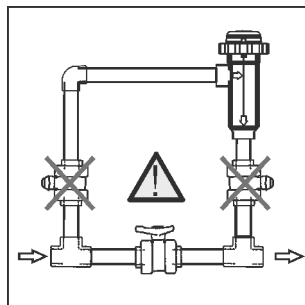


Fig. 4

1. Flow direction marked in the cell must be respected. Recirculation system must guarantee the minimum flow stated in the Table of Technical Specifications for each model (see Section 8).

2. The system flow detector activates if there is not recirculation (flow) of water through the cell or if flow is very low. If electrolysis gases are not properly removed through the electrolysis cell, the generated gas bubble electrically isolates the auxiliary electrode (electronic detection). Therefore, when locating the electrodes in the cell, the level sensor (auxiliary electrode) will have to be located in the higher area of the cell. The safest orientation is shown in the recommended installation diagram.

3. **WARNING:** if the in-out valves of the electrolysis cell are closed simultaneously, the flow detector (gas detector) will not work correctly, with the consequent risk of cell breakdown. Although this situation is extremely unusual, **it can be easily avoided once the equipment has been installed, by locking at opened position the return valve to the swimming pool**, so it cannot accidentally be manipulated.

Other configurations would only be acceptable in the case that they allow for detection of gas bubbles when water flow through the cell is too low.

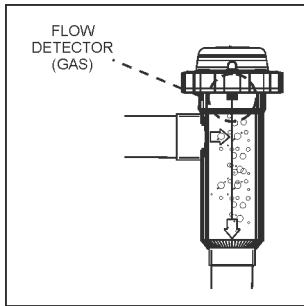


Fig. 5

**RECOMMENDED** Installation

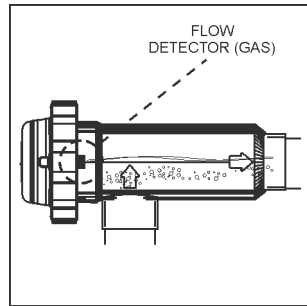


Fig. 6

**ALLOWABLE** installation

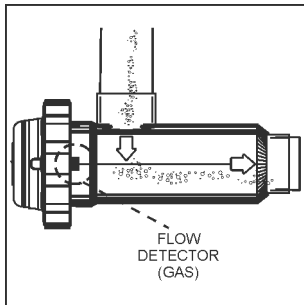


Fig. 7

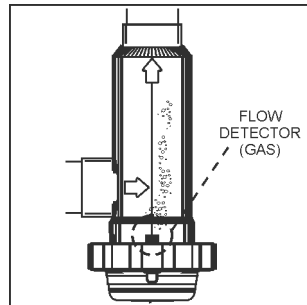
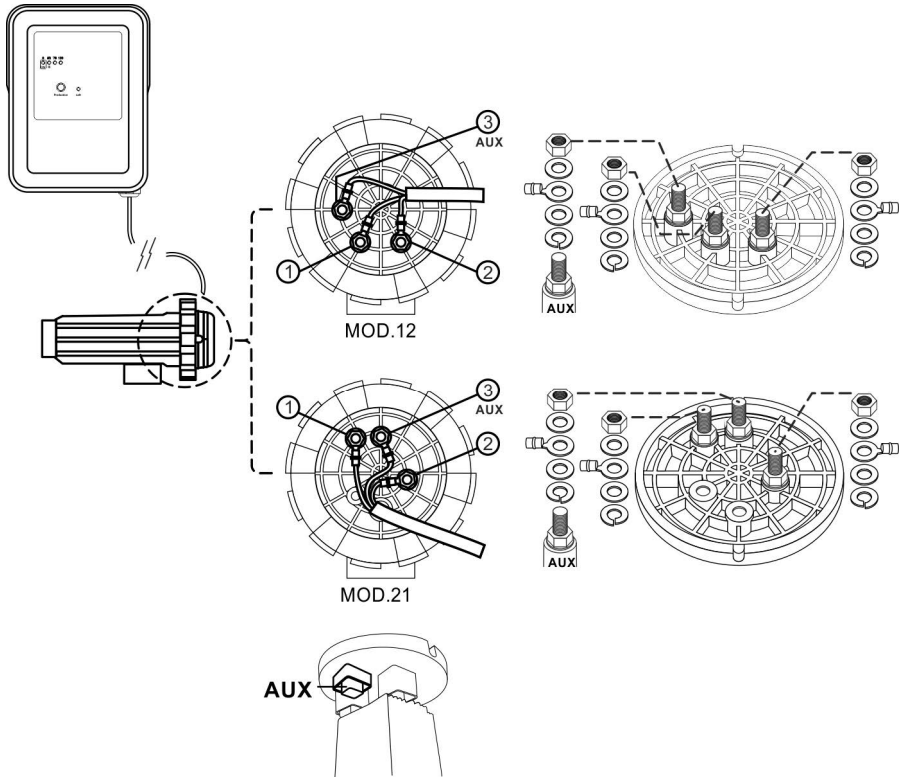


Fig. 8

**NOT ALLOWED** installations

### 4.3. Electrical connections of the electrolysis cell

Make the interconnection between the electrolysis cell and the power supply according to the following scheme. Due to relatively high current intensity circulating do not modify or cut either the length or section of the supplied cables without making a previous consultation to an authorized distributor. The cable connecting the electrolysis cell and the power supply should never exceed the maximum length recommended in this Manual: **MOD.12 (6 A), 8 m.;** **MOD.21 (3.5 A), 30 m.**

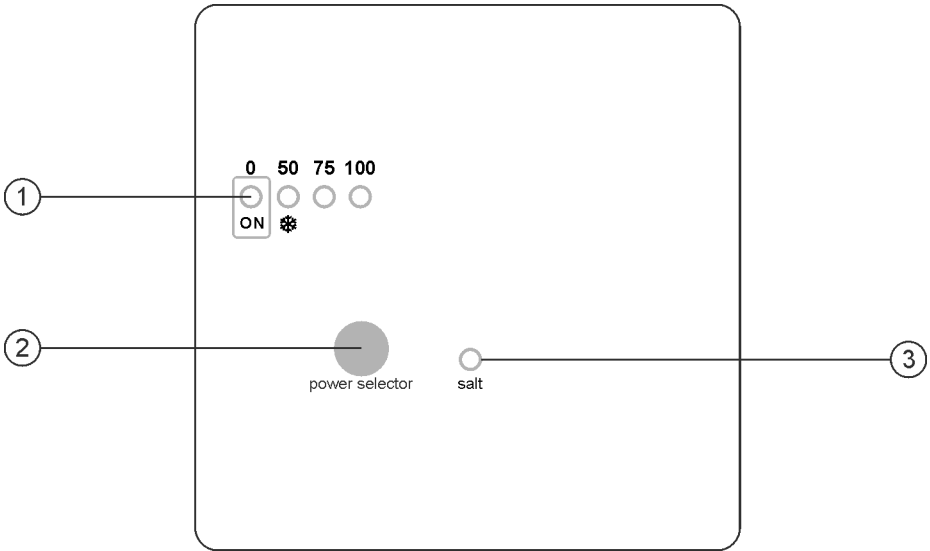


- 1.- Electrode 1 (Red)
- 2.- Electrode 2 (Red)
- 3.- Flow detector (Yellow)

Fig.9

#### 4.4. Controls and indicators

Salt electrolysis systems are equipped with a control panel in the front (Fig. 10).



1.- Production scale (%)

Scale	Production	Range
	Stand-by	
	0 %	0 ... 5%
	25 %	5 ... 35%
	50 %	35 ... 55%
	75 %	55 ... 80%
	100 %	80 ... 100%

2.- Production level selection key

3.- SALINITY ALARM (high/low)

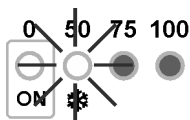
Fig. 10. MOD. XX systems control panel.



#### 4.5. Programming and control

Besides the basic operations, the salt electrolysis system has an input for an external control by means of an ORP controller, residual chlorine, etc.; as well as one for the adjustment of the production of the equipment on activation of the automatic swimming pool cover. Moreover, it permits the configuration of three electrode SELF-CLEANING modes: TEST, 2/2, 3/3 hours.

- **ELECTRODE SELF-CLEANING System:** The reversal frequency can be selected by means of jumper **"JP1"** on the system control panel (Fig. 11). This configuration will become effective by disconnecting and connecting again the equipment.
- **AUTOMATIC COVER control:** the system has an input for a potential-free contact. When the contact connected to this input is closed (automatic cover closed), the electrolysis system reduces its production to **10%** of its rated value (the **"50%"** led of the production scale will blink).



- **EXTERNAL Control:** the system has an additional auxiliary input for a potential-free contact. This input can be used to make the electrolysis system interact with an external controller (ORP, RESIDUAL CHLORINE, PHOTOMETER, etc.). When the contact connected to this input is OPEN, the electrolysis system is stopped. To activate this input, place jumper **"JP2"** located on the unit's control panel. This configuration will become effective by disconnecting and connecting again the equipment.

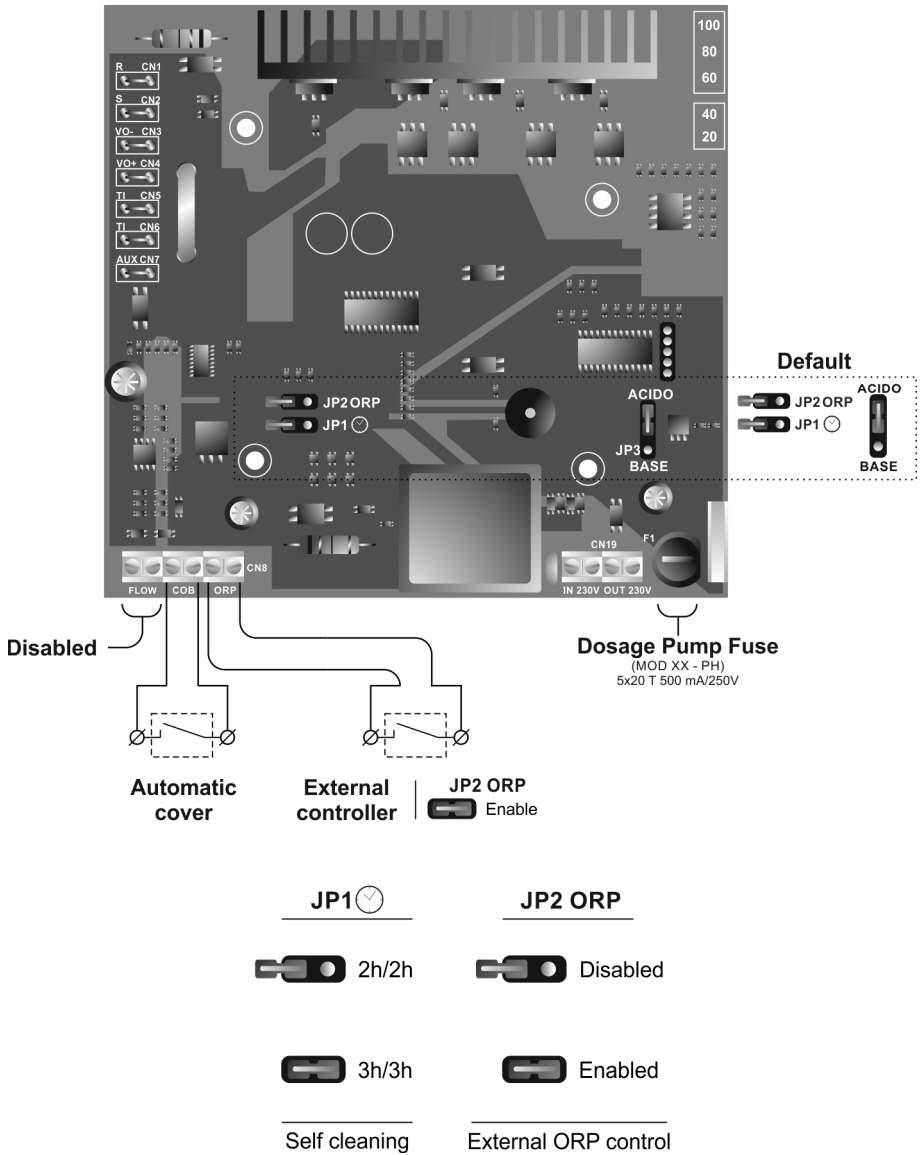


Fig. 11

#### 4.6. Start-up

1. Check that the filter is 100% clean, and ensure that the swimming pool and the installation do not contain copper, iron or algae. Ensure that any heating equipment on the pool is suitable for use in salt water.

2. Ensure that the swimming pool water is balanced. Balanced water enables the chlorine that is produced to be used more efficiently and effectively, and ensures that the life of the electrodes is prolonged. Water should be maintained within the parameters shown below:

a) pH must be in the range 7.2-7.6

b) Total alkalinity must be in the range 80-120 ppm

3. Although the salt electrolysis system can work at a salinity range of 5 - 12 g/l, try to maintain the recommended minimum salt level of 6 g/l, by adding 6 kg per m<sup>3</sup> of water if the water does not already contain salt. Always use common salt (sodium chloride), without additives like iodides, that is "apt for human consumption". Never add the salt through the cell. Add it directly to the swimming pool or into the balance tank.

4. When adding the salt, and in case the swimming pool is going to be used immediately, carry out a treatment with chlorine. An initial dose of 2 g/m<sup>3</sup> of trichloroisocyanuric acid may be added.

5. Prior to starting up the salt chlorinator, disconnect the power supply to the salt chlorinator and run the pump for 24 hours to ensure that the salt is completely dissolved.

6. Next, reconnect the power supply and turn on the salt chlorinator, locating the production level so that free chlorine concentration stays within the recommended range (0.5 - 1.5 ppm).

NOTE: in order to establish the free chlorine level you will need to use a test kit.

7. In outdoor swimming pools it is advisable to maintain a level of 25-30 g/m<sup>3</sup> of chlorine stabiliser (cyanuric acid) in the pool. A level of 75 ppm should be never exceeded. This will help to stop the chlorine that is in the water from being destroyed by the sun.

## 5. OPERATION:



### 5.1. System on stand-by

The system goes into “STAND-BY” when the **“POWER SELECTOR” [2]** key is successively pressed until the **“0%”** light blinks. When this occurs, there is no production in the electrolysis cell.

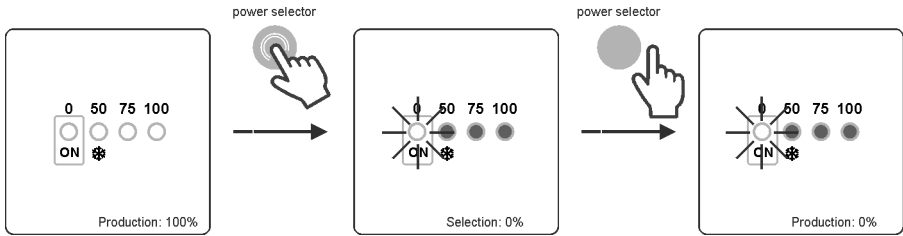


Fig. 12

### 5.2. Production level selection

To select the desired production level, press the **“POWER SELECTOR” [2]** keys until the production level light blinks. The system will set its production to the desired level after a few seconds.

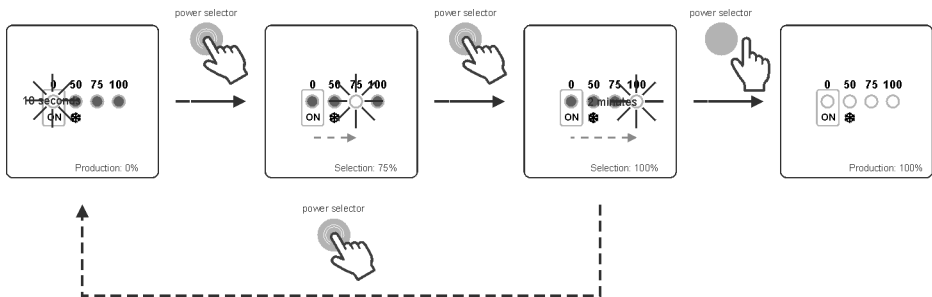


Fig. 13

The production setpoint could be visualized at any time by pressing once the **“POWER SELECTOR” [2]** key.

The light corresponding to the programmed production level will blink for a few seconds. After this time the production scale will return to indicate the current production level.

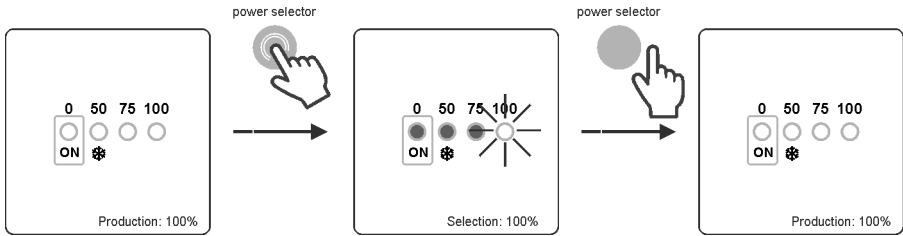


Fig. 14



**WINTER Mode:** during periods of low water temperature, where the chlorine demand will be low, select a production level [1] of 50%, because in this way power consumption and lifetime of the package of electrodes are optimized.

### 5.3. TEST Mode

To enter in TEST mode, lower the production level to "0%" successively pressing the "POWER SELECTOR" [2] key (Fig. 15).

Once the system has stopped, hold down this key for 10 seconds. The system will indicate that it has entered TEST MODE and all the leds will light up for one second.

Next select the desired production level through the "POWER SELECTOR" [2] key.

When the system is in TEST mode, the "0%" light will sequentially vary its intensity.

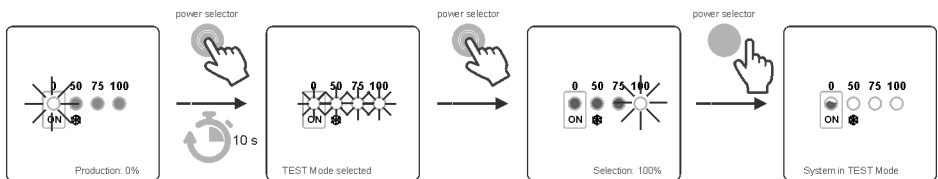


Fig. 15

In TEST MODE, the system resets the polarity reversal timer and the output level selected. In this mode the system is fully operational, making polarity reversal of the electrodes every 2 minutes. To quit TEST MODE, the system must be switched off from the mains for a few seconds. Switching on the system again, it automatically returns to the previous self-cleaning program.

## 5.4. Alarms

- **HIGH SALT LEVEL**

If too much salt has been added, the power supply will reduce the level of power with regard to that which was selected automatically. The “SALT” [3] led will stay on. In this case, empty part of the swimming pool (for example 10%), and add fresh water to reduce the salt concentration. To know the exact level of salt, we recommend the use of a portable salinity-temperature meter.

- **LOW SALT LEVEL**

If the level of salt in the swimming pools water were below the recommended level, the power supply may not reach the level of output selected. The “SALT” [3] led will blink. It is possible that the system indicates salt levels below the real ones if the water temperature is less than 20°C or if the electrode package has reached the end of its lifetime. In this case, determine the level of salt in the water and add the amount of salt needed. The type of common salt (NaCl) indicated for salt electrolysis should have no additives (anti-clogging agents, iodides) and should be suitable for human consumption. To know the exact level of salt we recommend the use of a portable salinity-temperature meter.

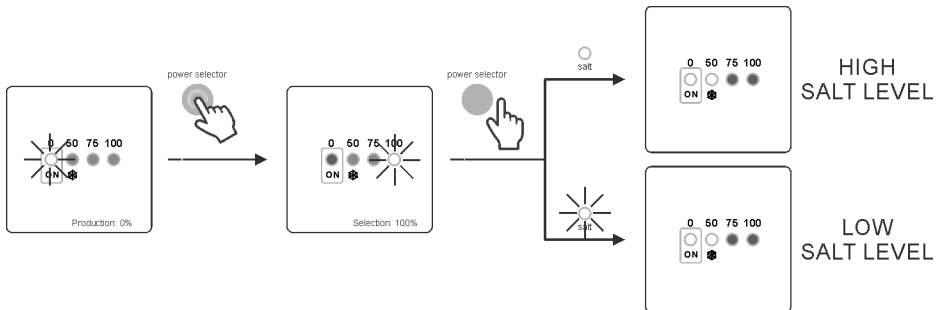
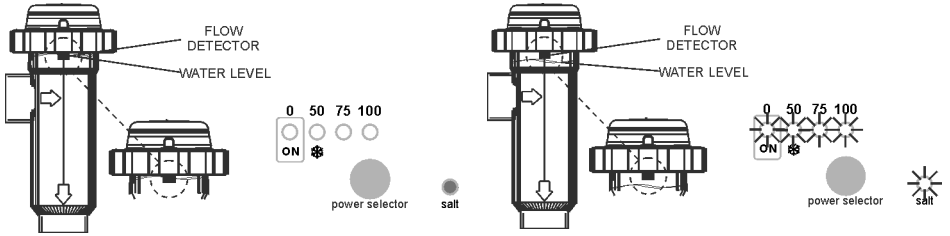


Fig. 16

- **WATER LEVEL IN CELL/ FLOW DETECTOR (GAS)**

If an air or gas bubble forms at any time at the top of the electrolysis cell and the FLOW DETECTOR is not submerged, the system will automatically switch off production and all of the leds of the control panel will blink. System automatically resets when water flows through the cell again or the bubble disappear.



1. Submerged gas detector. System running.

2. Gas detected. Insufficient flow. System off.

Fig. 17

- **EXTERNAL CONTROL [JP2] ACTIVATED**

When the external controller detects a value over the fixed setpoint, it switches off production automatically and the "0%" led of the production scale [1] flashes.

## 6. MAINTENANCE:

---

### 6.1. Maintenance of the electrolysis cell

The electrolysis cell must be kept in suitable conditions to ensure a long lifetime. This salt chlorination unit has an automatic electrode cleaning system that helps to prevent scale build-up on the electrode surface. If the salt chlorination system is operated in accordance with these instructions, and in particular if the pool water balance is kept within the recommended parameters, it should not be necessary to manually clean the electrodes. However, if the pool water and the salt chlorination system are not maintained in line with these instructions then it may be necessary to manually clean the electrodes following the procedure outlined below:

1. Cut off the 230 Vac unit's supply.
2. Unscrew the closing nut located at the end where the electrodes are located, and remove the electrode package.
3. Use diluted hydrochloric acid (a part of commercial acid in 10 parts of water), submerging the electrode package in the prepared solution for no more than 10 minutes.
4. NEVER SCRAPE OR SWEEP THE CELL OR THE ELECTRODES.

The electrodes of a salt chlorination system comprise of a titanium sheet coated with a layer of noble metal oxides. The electrolysis processes that take place on their surface produce a progressive wearing down - the electrodes do have a finite life. In order to optimise electrode lifetime, please consider the following aspects:

1. Although all salt electrolysis units are SELF-CLEANING, a prolonged operation of the system at pH values over 7.6 in waters of high hardness can produce scale formation on the surface of the electrodes. Scaling on the electrodes surface will progressively deteriorate the coating, causing a decrease of lifetime.
2. Manually cleaning/washing the electrodes (as described above) will shorten their life.
3. Prolonged operation of the system at salinities lower than 3 g/l (3000 ppm) will cause a premature deterioration of the electrodes.
4. Frequent use of copper based algaecides will promote the formation of copper deposits on the electrodes, progressively damaging the coating. Remember that chlorine is the best algaecide.



**7. TROUBLESHOOTING:** \_\_\_\_\_

Any action required to solve possible problems in the equipment should always be performed with the equipment disconnected from the mains. Any problem not indicated in the following list should be solved by a qualified technician.

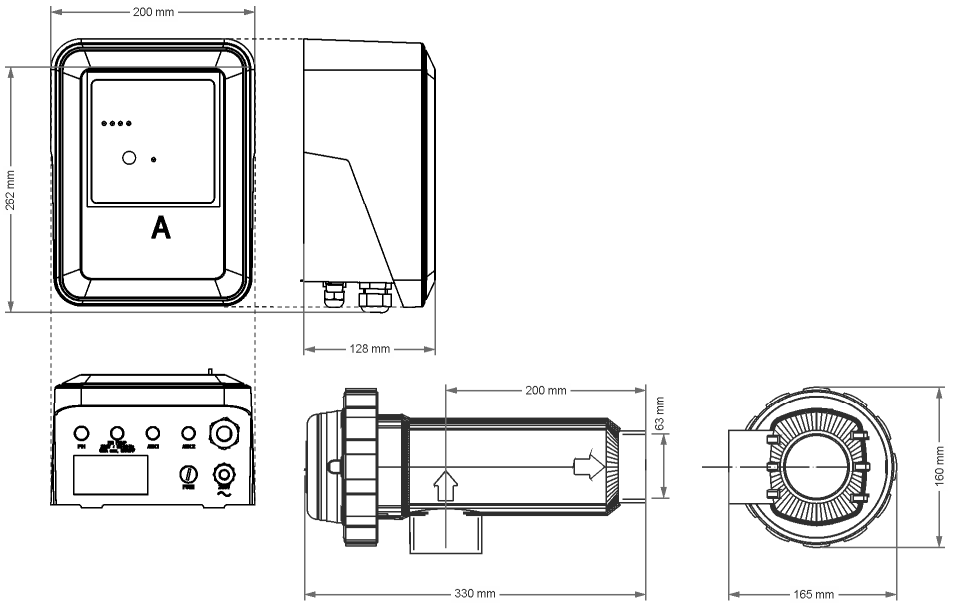
PROBLEM	SOLUTION
<p><b>Production indicator always indicates "0" at all production levels</b></p>	<p>Check the electrodes.</p> <p>Verify connections between power supply and the electrolysis cell.</p> <p>Check salt concentration.</p>
<p><b>It is not possible to turn on the power supply.</b></p>	<p>Check that the system is properly connected to 230 V/50-60 Hz in the control box of the pump.</p> <p>Check the estate of the fuse located at the bottom of the power supply.</p>
<p><b>Free chlorine levels in the water are very low.</b></p>	<p>Check that the system produces chlorine in pool jets.</p> <p>Verify that the water Chemicals parameters (pH, combined chlorine, isocyanuric acid, etc.) are correct.</p> <p>Increase filtering time.</p> <p>Add chlorine stabilizer (cyanuric acid) until a concentration of 25 - 30 g/m<sup>3</sup> is achieved.</p>

## 8. TECHNICAL SPECIFICATIONS:

TECHNICAL SPECIFICATIONS:	
<b>Working voltage</b> 230V AC - 50/60 Hz. Cable: MOD. 12 MOD. 21	3x1.0 mm <sup>2</sup> , 2 m. 0.4 A 0.4 A
<b>Fuse</b> MOD. 12 MOD. 21	2 AT (5x20 mm) 2 AT (5x20 mm)
<b>Cell voltage</b> Cable MOD. 12 MOD. 21	3 x 2.5 mm <sup>2</sup> , 2 m. 10.5 VDC / 6.0 A 23.0 VDC / 3.5 A
<b>Production</b> MOD. 12 MOD. 21	10 ... 12 g/h 17 ... 21 g/h
<b>Minimum recirculation flow</b> MOD. 12 MOD. 21	2 m <sup>3</sup> /h 3 m <sup>3</sup> /h
<b>Electrode number</b> MOD. 12 MOD. 21	5 7
<b>Net weight (including packaging)</b> MOD. 12 MOD. 21	6.5 Kg. 8.5 Kg.

GENERAL FEATURES:
<b>Control system</b> <ul style="list-style-type: none"> <li>● Microprocessor.</li> <li>● Membrane keypad with control keys and operation indication leds.</li> <li>● Control I/O: 2 inputs (potential-free contact type) for monitoring the automatic cover and external controller (ORP, RESIDUAL CHLORINE, etc.).</li> <li>● Cell output: production control.</li> <li>● Salinity / Temperature range: 5 - 12 g/l. / +15 - 40 °C.</li> </ul>
<b>Self-cleaning</b> Automatic polarity reversal
<b>Working temperature</b> From 0°C to +50°C Cooling: natural convection
<b>Material</b> Power supply: <ul style="list-style-type: none"> <li>○ ABS</li> </ul> Electrolysis cell: <ul style="list-style-type: none"> <li>○ Transparent methacrylate</li> </ul>

## Dimensions



## **9. WARRANTY CONDITIONS:**\_\_\_\_\_

### **9.1. GENERAL ASPECTS**

- 9.1.1. According to these provisions, the seller guarantees that the guaranteed product is in perfect condition upon delivery.
- 9.1.2. The Total Warranty period is 2 YEARS.
- 9.1.3. The Warranty period will be calculated as of delivery to the purchaser. The electrode is covered by a 2-YEAR WARRANTY (or 3.000 hours), which is not extendable.
- 9.1.4. Should the Product be faulty and the seller is notified during the Guarantee Period, he shall repair or replace the Product at his own cost wherever he sees fit, unless this is either impossible or out of proportion.
- 9.1.5. When the Product cannot be repaired or replaced, the buyer may request a proportional price reduction or, if the fault is important enough, rescission of the sales contract.
- 9.1.6. Parts replaced or repaired pursuant to this warranty shall not extend the warranty period of the original Product, although they shall have their own warranty.
- 9.1.7. For this warranty to be effective, the buyer shall accredit the date of acquisition and delivery of the Product.
- 9.1.8. When the buyer alleges a fault in the product over six months after its delivery, he shall accredit the original and existence of the alleged fault.
- 9.1.9. This Warranty Certificate does not limit or prejudice consumer rights pursuant to national legislation.

### **9.2. SPECIFIC CONDITIONS**

- 9.2.1. For this warranty to be effective, the buyer must closely follow the manufacturer's instructions included in the documentation supplied with the product, as applicable to each product range and model.
- 9.2.2. Whenever a schedule is defined for the replacement, maintenance or cleaning of certain product parts or components, the warranty shall only be valid when said schedule has been correctly followed.

### **9.3. LIMITATIONS**

- 9.3.1. This warranty shall only be applicable to sales to consumers, with consumer being defined as a person who purchases the product for other than professional purposes.
- 9.3.2. No warranty is applicable to normal wear or the product, parts, components and/or fungible or consumable materials (except the electrode).
- 9.3.3. The warranty does not cover cases in which the product: (i) has been incorrectly treated; (ii) has been inspected, repaired, maintained or handled by an unauthorised person; (iii) has been repaired or maintained with non-original parts, or (iv) has been incorrectly installed or started up.
- 9.3.4. When a faulty product results from incorrect installation or start-up, this warranty shall only be applicable when the installation or start-up forms part of the product contract of sale and had been performed by the seller or under the seller's responsibility.
- 9.3.5. Damage or faults due to any of the following causes:

- Operation at salinity values of less than 3 g of sodium chloride per liter and/or water temperature lower than 15°C or higher than 40°C.
- Operation at a pH of more than 7.6.
- Use of non-explicitly authorised chemicals.
- Exposure to corrosive environments and/or ambient temperatures of less than 0°C or more than 50°C.

## 10. EC DECLARATION OF CONFORMITY \_\_\_\_\_

The following range of salt electrolysis systems are certified for swimming pool end use:

Certified products:

**SCG60 (MOD.12), SCG100 (MOD.21).**

The products listed above are in compliance with the following EC Directives and Standards:

- Low Voltage Directive (LVD) 2014/35/UE.
- Electromagnetic Compatibility Directive (EMC) 2014/30/UE.
- ROHS Directive 2011/65/EC

I.D. ELECTROQUIMICA, S.L.  
Pol. Ind. Atalayas, c./ Dracma R-19  
E-03114 Alicante  
Spain



Gaspar Sánchez  
General Manager

Date: 01/02/2017

**IMPORTANTE:** El manual de instrucciones que usted tiene en sus manos, contiene información fundamental acerca de las medidas de seguridad a adoptar a la hora de la instalación y la puesta en servicio. Por ello, es imprescindible que tanto el instalador como el usuario lean las instrucciones antes de pasar al montaje y puesta en marcha. Conserve este manual para futuras consultas acerca del funcionamiento de este aparato.



**Tratamiento de equipos eléctricos y electrónicos después de su vida útil (sólo aplicable en la U.E.)**

Todo producto marcado con este símbolo indica que no puede eliminarse junto con el resto de residuos domésticos una vez finalizada su vida útil. Es responsabilidad del usuario eliminar este tipo de residuo depositándolos en un punto adecuado para el reciclado selectivo de residuos eléctricos y electrónicos. El adecuado tratamiento y reciclado de estos residuos contribuye de forma esencial a la conservación del Medio Ambiente y la salud de los usuarios. Para obtener una información más precisa sobre los puntos de recogida de este tipo de residuos, póngase en contacto con las autoridades locales.

Las instrucciones contenidas en este manual describen el funcionamiento y mantenimiento de los sistemas de Electrolisis de Sal. Para conseguir un óptimo rendimiento de los Sistemas de Electrólisis de Sal es conveniente seguir las instrucciones que se indican a continuación:

**1. COMPRUEBE EL CONTENIDO DEL EMBALAJE:** \_\_\_\_\_

En el interior de la caja encontrará los siguientes accesorios:

- Fuente de alimentación.
- Célula de electrolisis.
- Manual del equipo.

**2. CARACTERISTICAS GENERALES:** \_\_\_\_\_

Una vez instalado su sistema de Electrolisis de Sal es necesario disolver una cantidad de sal en el agua. Este agua salina circula a través de la célula de electrolisis situada en la depuradora. El sistema de Electrolisis de Sal consta de dos elementos: una célula de electrolisis y una fuente de alimentación. La célula de electrolisis contiene un número determinado de placas de titanio (electrodos), de forma que cuando se hace circular a través de los mismos una corriente eléctrica y la solución salina pasa a su través, se produce cloro libre. El mantenimiento de un cierto nivel de cloro en el agua de la piscina, garantizará su calidad sanitaria. El sistema de Electrolisis de Sal fabricará cloro cuando el sistema de recirculación de la piscina (bomba y filtro) estén en marcha.

La fuente de alimentación dispone de varios dispositivos de seguridad, los cuales se activan en caso de un funcionamiento anómalo del sistema, así como de un microcontrolador de control. Los sistemas de Electrolisis de Sal disponen de un sistema de limpieza automático de los electrodos que evita la formación de incrustaciones en los mismos.

### 3. ADVERTENCIAS DE SEGURIDAD Y RECOMENDACIONES:\_\_\_\_\_

- El montaje o manipulación deben ser efectuados por personal debidamente cualificado.
- Se deben respetar las normas vigentes para la prevención de accidentes, así como para las instalaciones eléctricas.
- El fabricante en ningún caso se responsabiliza del montaje, instalación o puesta en funcionamiento, así como de cualquier manipulación o incorporación de componentes que no se hayan llevado a acabo en sus instalaciones.
- Los sistemas de Electrolisis de Sal operan a 230 V AC / 50/60 Hz. No intente alterar la fuente de alimentación para operar a otro voltaje.
- Asegúrese de realizar conexiones eléctricas firmes para evitar falsos contactos, con el consiguiente recalentamiento de los mismos.
- Antes de proceder a la instalación o sustitución de cualquier componente del sistema asegúrese que éste ha quedado previamente desconectado de la tensión de alimentación, y utilice exclusivamente repuestos suministrados por el fabricante.
- Debido a que el equipo genera calor, es importante instalarlo en un lugar suficientemente ventilado y procurar mantener los orificios de ventilación libres de cualquier elemento que los pueda obstruir. Procurar no instalarlo cerca de materiales inflamables.
- Los sistemas de Electrolisis de Sal disponen de un grado de protección IP24. En ningún caso, deben ser instalados en zonas expuestas a inundaciones.

#### FUENTE DE ALIMENTACION:

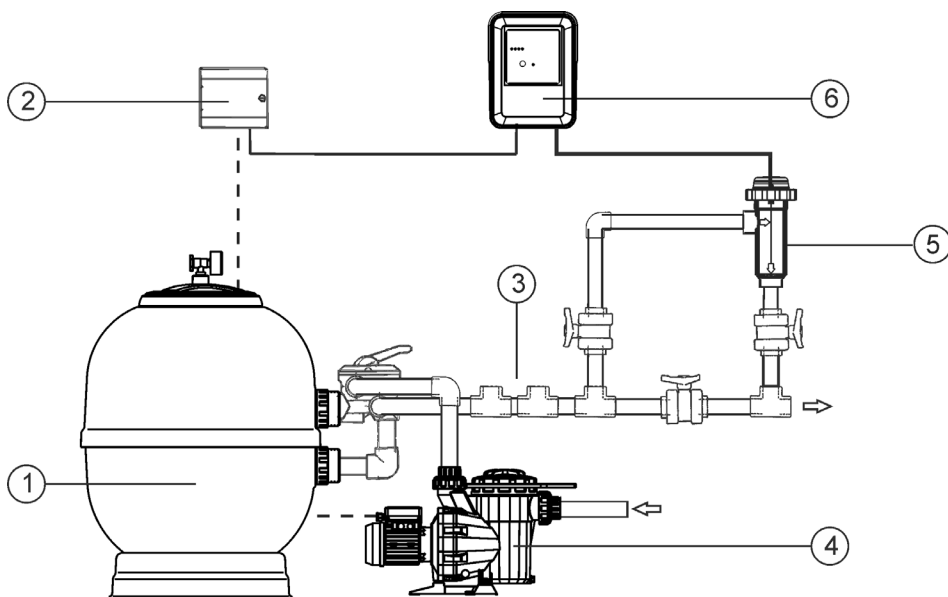
DESCRIPCION	MODELO	
	SCG60 (MOD.12)	SCG100 MOD.21
Tensión de servicio	230 V AC, 50 Hz./60 Hz.	
Salida (dc)	6 A x 2	3.5 A x 6
Producción (g/h)	10 - 12	17 - 21
Capacidad piscina (m <sup>3</sup> ) Templado: 16 - 24°C Cálido: +25°C	60 50	100 80
Detección flujo	Detector gas	
Rango de Salinidad / Temperatura	5 ... 12 g./l. / +15 ... 40°C	
Electrodos	Titanio con recubrimiento AUTO-LIMPIANTE, calidad TECH. Duración estimada: 8.000 - 10.000 horas (dependiendo de la calidad de agua) <sup>(2)</sup>	
Control producción	0 - 50 - 75 - 100 % ( 3 niveles de producción)	
Inversión polaridad	Programable: 2 <sup>(1)</sup> / 3 horas (jumper en plac de control) + modo test	
Protección nivel de sal	Protección automática de producción	

<sup>(1)</sup> Configuración fábrica.

<sup>(2)</sup> En condiciones ideales: salinidad (6 g/l), pH (7.2), dureza agua (120 mg/l) y caudal mínimo.

## CELULA DE ELECTROLISIS

DESCRIPCION	MODELO	
	SCG60 (MOD.12)	SCG100 MOD.21
Caudal mínimo	2 m <sup>3</sup> /h	3 m <sup>3</sup> /h
Número de electrodos	5	7
Material	Derivado metacrilato	
Conexión a tubería	Encolado mediante adhesivo para tubo PVC Ø 63 mm.	
Presión máxima recomendada	1 Kg./cm <sup>2</sup>	
Temperatura de trabajo	Menos de 40°C	



- |  |                             |
|--|-----------------------------|
| 1.- Filtro.  | 4.- Bomba.                  |
| 2.- Cuadro de maniobra.                                      | 5.- Célula de electrolisis. |
| 3.- Otros equipamientos (intercambiador de calor, UV, etc.). | 6.- Fuente de alimentación. |

Fig.1 Diagrama de instalación recomendada.



## 4. INSTALACION:

### 4.1. Instalación de la fuente de alimentación

Instalar siempre la FUENTE DE ALIMENTACIÓN del sistema de forma VERTICAL y sobre una superficie (pared) rígida tal y como se muestra en el diagrama de instalación recomendada (Fig. 1). Para garantizar su buen estado de conservación, debe procurarse instalar siempre el equipo en un lugar seco y bien ventilado. El grado de estanqueidad de la FUENTE DE ALIMENTACION del sistema no permite su instalación a la intemperie. La FUENTE DE ALIMENTACION debería ser preferiblemente instalada lo suficientemente alejada de la célula de electrolisis de forma que no pueda sufrir salpicaduras de agua de forma accidental.

#### Atención



De manera especial, evite la formación de ambientes corrosivos debidos a las soluciones minoradoras del pH (concretamente las formuladas con ácido clorhídrico "HCl"). No instale el sistema cerca de los lugares de almacenamiento de estos productos. Recomendamos encarecidamente el uso de productos basados en bisulfato sódico o ácido sulfúrico diluido. La conexión de la fuente de alimentación a la red eléctrica debe efectuarse en el cuadro de maniobra de la depuradora, de forma que la bomba y el sistema se conecten simultáneamente.

### 4.2. Instalación de la célula de electrolisis

La célula de electrolisis está fabricada de un polímero transparente en cuyo interior se alojan los electrodos. La célula de electrolisis debería instalarse en un lugar protegido de la intemperie y **siempre detrás del sistema de filtración** y de cualquier otro dispositivo en la instalación como bombas de calor, sistemas de control, etc.

La instalación de la misma debería permitir el fácil acceso del usuario a los electrodos instalados. La célula de electrolisis siempre debe situarse en un lugar de la tubería que pueda ser aislado del resto de la instalación mediante dos válvulas, de tal modo que se puedan efectuar las tareas de mantenimiento de la misma sin necesidad de vaciar total o parcialmente la piscina.

En caso de que la célula se instale en by-pass (opción recomendada), se deberá introducir una válvula que regule el caudal a través de la misma. Antes de proceder a la instalación definitiva del sistema se deberían tener en cuenta los siguientes comentarios:

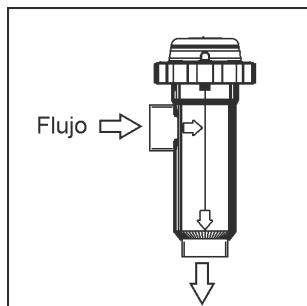


Fig. 2

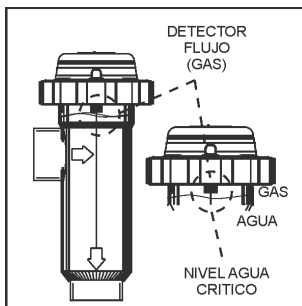


Fig. 3

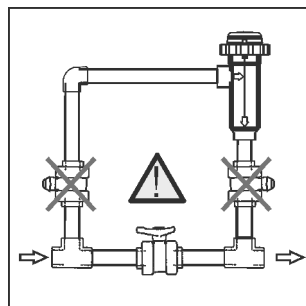


Fig. 4

1. Debe respetarse el sentido de flujo marcado en la célula. El sistema de recirculación debe garantizar el caudal mínimo consignado en la Tabla de Características Técnicas (ver apartado 8).

2. El sistema detector de flujo (detector gas) se activa en caso de que no haya recirculación (flujo) de agua a través de la célula o bien que éste sea muy bajo. La no evacuación del gas de electrolisis genera una burbuja que aísla eléctricamente al electrodo auxiliar (detección electrónica). Por lo tanto, al introducir los electrodos en la célula, el detector de gas (electrodo auxiliar) deberá quedar situado en la parte superior de la misma. La disposición más segura es la del diagrama de instalación recomendada.

3. **ATENCIÓN:** el detector de flujo (detector gas) no funcionará correctamente, con el consiguiente riesgo de ruptura de la célula, si se cierran simultáneamente las válvulas de entrada y salida a la tubería donde va instalada la célula de electrolisis. Aunque resulta una situación inusual, **se puede evitar bloqueando, una vez instalado el equipo, la válvula de retorno hacia la piscina**, de forma que no pueda ser manipulada accidentalmente.

Otras disposiciones sólo serían aceptables si permitieran igualmente la detección de burbujas de gas debidas a un caudal de paso de agua a través de la célula demasiado bajo.

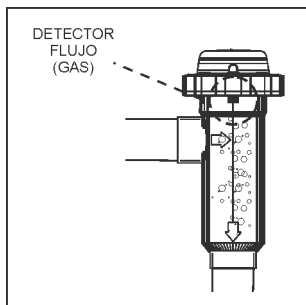


Fig. 5

**Instalación RECOMENDADA**

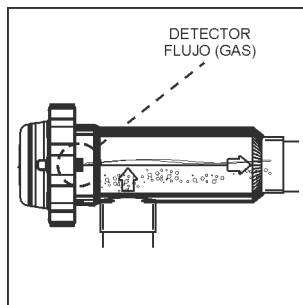


Fig. 6

**Instalación ADMISIBLE**

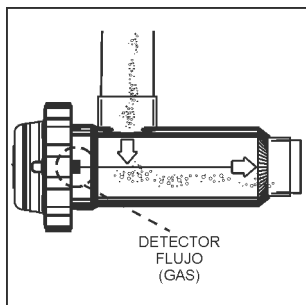


Fig. 7

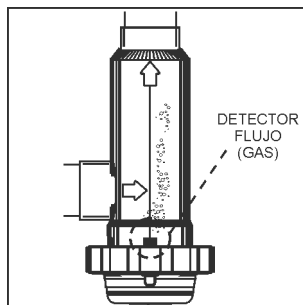
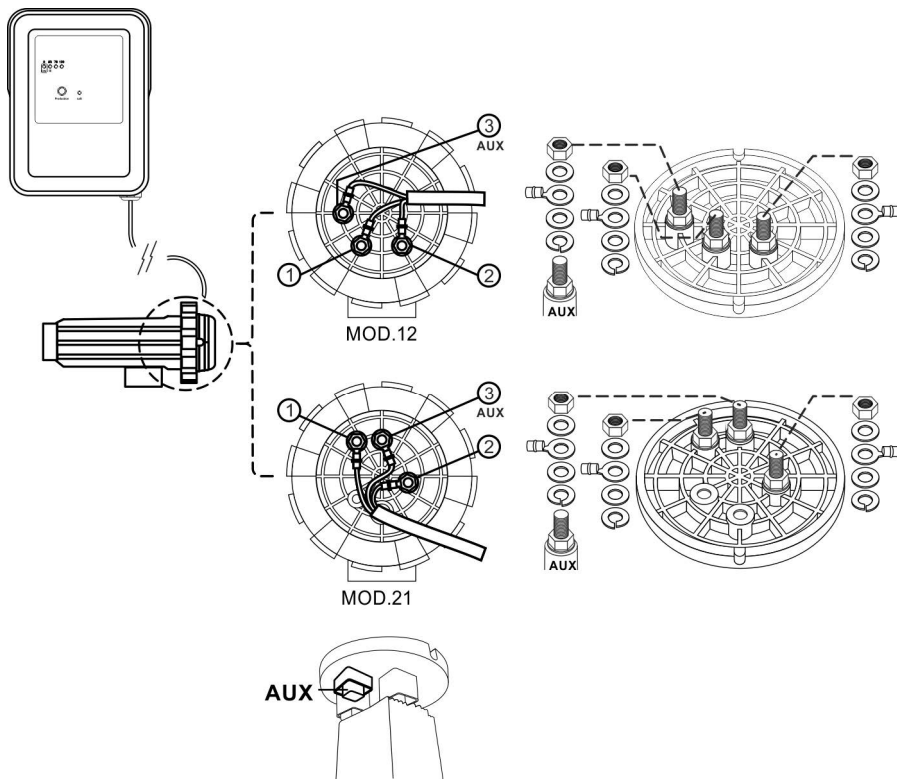


Fig. 8

**Instalaciones NO ADMISIBLES**

### 4.3. Conexiones eléctricas de la célula de electrolisis

Realizar la interconexión entre la célula de electrolisis y la fuente de alimentación según los siguientes esquemas. Debido a la relativamente elevada intensidad de corriente que circula por los cables de la célula de electrolisis, en ningún caso debe modificarse la longitud ni la sección de los mismos sin consultar previamente a su distribuidor autorizado. El cable de conexión célula-fuente de alimentación nunca debe exceder la longitud máxima recomendada en este Manual: MOD.12 (6 A), 8 m.; MOD.21 (3.5 A), 30 m.

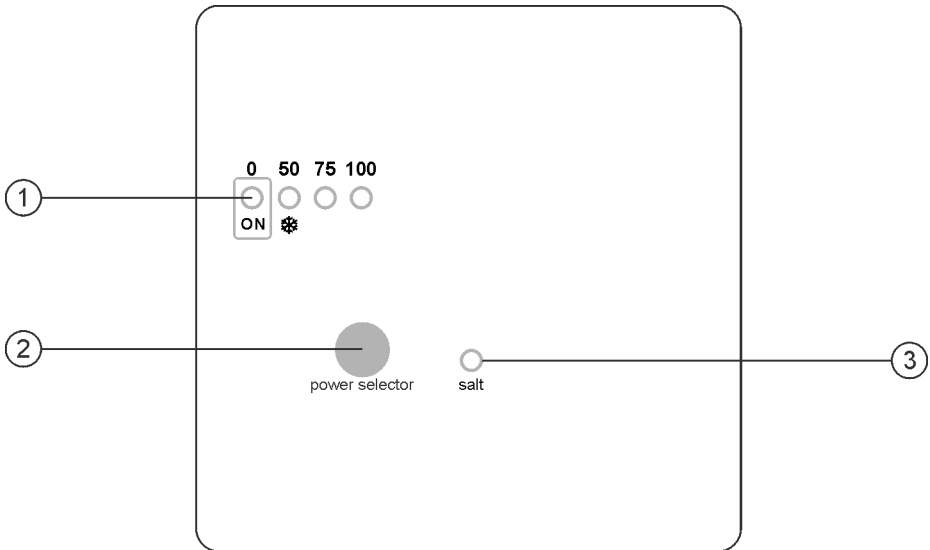


- 1.- Electrodo 1 (Rojo)
- 2.- Electrodo 2 (Rojo)
- 3.- Detector flujo (Amarillo)

Fig.9

#### 4.4. Controles e indicadores

Los sistemas de Electrolisis Salina están equipados con un panel de control situado en su frontal (Fig. 10).



1.- Escala de producción (%)

Escala	Producción	Rango
	Sistema en espera	
	0 %	0 ... 5%
	25 %	5 ... 35%
	50 %	35 ... 55%
	75 %	55 ... 80%
	100 %	80 ... 100%

2.- Tecla **selección nivel de producción**

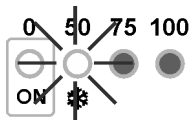
3.- ALARMA SALINIDAD (alta/baja)

Fig. 10. Panel de control sistemas MOD. XX

#### 4.5. Programación y control

Además de las operaciones básicas, el Sistema de Electrolisis de Sal dispone de una entrada para control externo mediante un controlador de ORP, cloro residual, etc.; así como una para el ajuste de la producción del equipo al activarse la cubierta automática de la piscina. Además permite la configuración de tres modos de AUTOLIMPIEZA de los electrodos: TEST, 2/2, 3/3 horas.

- **Sistema de AUTOLIMPIEZA DE ELECTRODOS:** la frecuencia de inversión se puede seleccionar mediante el jumper "JP1" situado en la placa del control del sistema (Fig. 11). Esta configuración se hará efectiva cuando el equipo se desconecte y se vuelva a conectar.
- **Control CUBIERTA AUTOMATICA:** el sistema dispone de una entrada para contacto libre de tensión. Cuando el contacto conectado a esta entrada se cierra (cubierta automática CERRADA), el sistema de electrolisis reduce su producción al **10%** de su valor nominal (parpadeará el led "50%" de la escala de producción).



- **Control EXTERNO:** el sistema dispone de una entrada auxiliar adicional para contacto libre de tensión. Esta entrada se puede utilizar para hacer interactuar el sistema de electrolisis con un controlador externo (ORP, CLORO RESIDUAL, FOTOMETRO, etc.). Cuando el contacto conectado a esta entrada está ABIERTO, el sistema de electrolisis se detiene. Para activar esta entrada deberá colocarse el jumper "JP2" situado en la placa de control de la unidad. Esta configuración se hará efectiva cuando el equipo se desconecte y se vuelva a conectar.

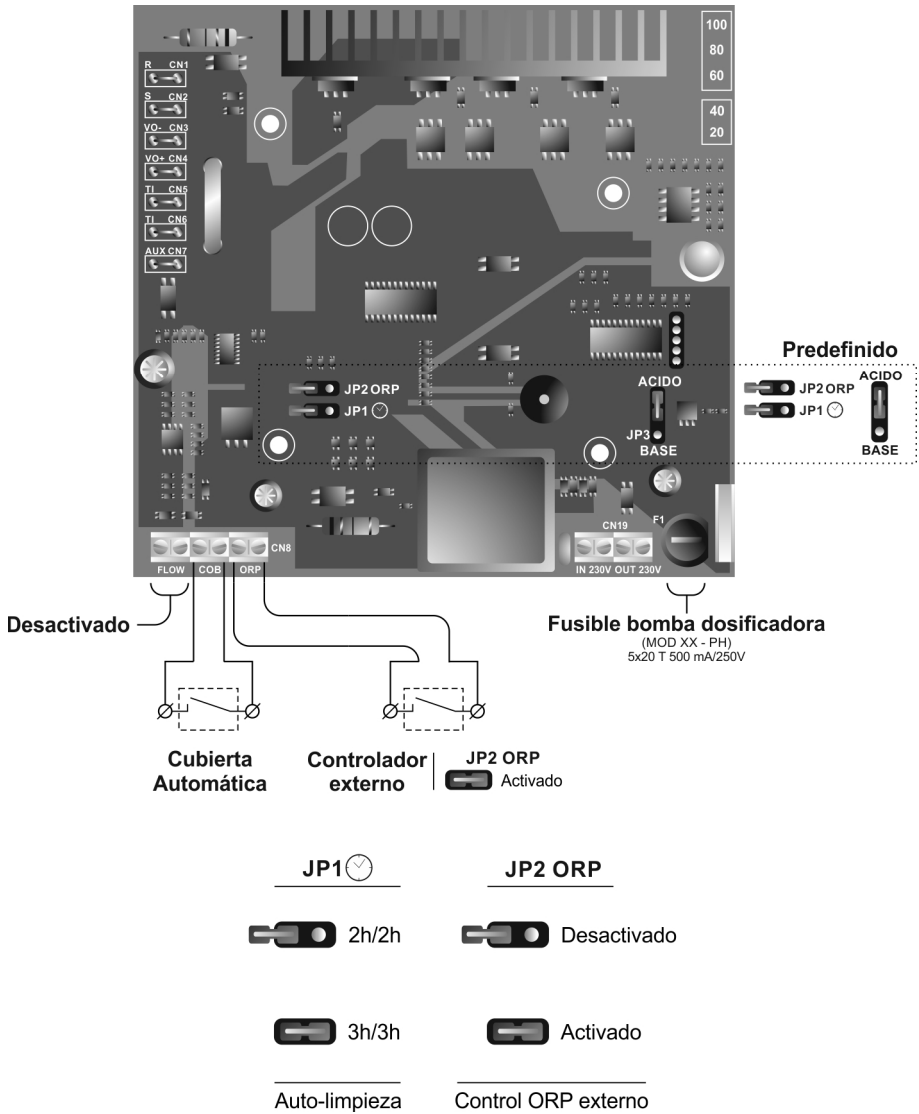


Fig. 11

#### **4.6. Puesta en marcha**

1. Asegurarse que el filtro esté limpio al 100%, y que la piscina y la instalación no contenga cobre, hierro y algas, así como que cualquier equipo de calefacción instalado sea compatible con la presencia de sal en el agua.

2. Equilibrar el agua de la piscina. Esto nos permitirá obtener un tratamiento más eficiente con una menor concentración de cloro libre en el agua, así como un funcionamiento más prolongado de los electrodos unido a una menor formación de depósitos calcáreos en la piscina.

a) El pH debe ser de 7.2-7.6

b) La alcalinidad total debe ser de 60-120 ppm.

3. Aunque el sistema puede trabajar en un rango de salinidad de 5 - 12 g/l., se debe intentar mantener el nivel óptimo de sal recomendado de 6 g/l, añadiendo 6 Kg. por cada  $m^3$  de agua si el agua no contenía sal previamente. Utilizar siempre sal común (cloruro sódico), sin aditivos como yoduros o antiapelmazante, y con calidad de apta para consumo humano. No agregar nunca la sal a través de la célula. Añadir directamente a la piscina o en el vaso de compensación (lejos del sumidero de la piscina).

4. Al añadir la sal, y en caso que la piscina vaya a ser utilizada de forma inmediata, efectuar un tratamiento con cloro. Como dosis inicial, se pueden añadir  $2 g./m^3$  de ácido tricloroisocianúrico.

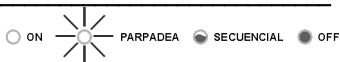
5. Antes de iniciar el ciclo de trabajo, desconectar la fuente de alimentación y poner la bomba del depurador en marcha durante 24 horas para asegurar la completa disolución de la sal.

6. A continuación poner en marcha el sistema de electrolisis salina, situando el nivel de producción del mismo, de forma que se mantenga el nivel de cloro libre dentro de los niveles recomendados (0.5 - 1.5 ppm).

**NOTA:** para poder determinar el nivel de cloro libre deberá emplear un kit de análisis.

7. En piscinas con fuerte insolación o utilización intensiva, es aconsejable mantener un nivel de 25-30  $g./m^3$  de estabilizante (ácido isocianúrico). En ningún caso, deberá excederse un nivel de 75  $g./m^3$ . Esto será de gran ayuda para evitar la destrucción del cloro libre presente en el agua por la acción de la luz solar.

## 5. FUNCIONAMIENTO:



### 5.1. Sistema detenido

El sistema entra en modo “EN ESPERA” cuando se pulsa sucesivamente la tecla “**POWER SELECTOR**” [2] hasta que el led de “0 %” quede parpadeando. En esta situación no hay producción en la célula de electrolisis.

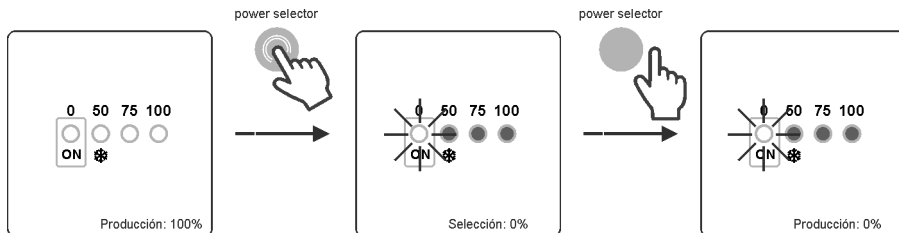


Fig. 12

### 5.2. Selección del nivel de producción

Para seleccionar el nivel de producción deseado, pulsar la tecla “**POWER SELECTOR**” [2] hasta que el led correspondiente al nivel de producción deseado quede parpadeando. Transcurridos unos segundos, el sistema situará su producción en el nivel seleccionado.

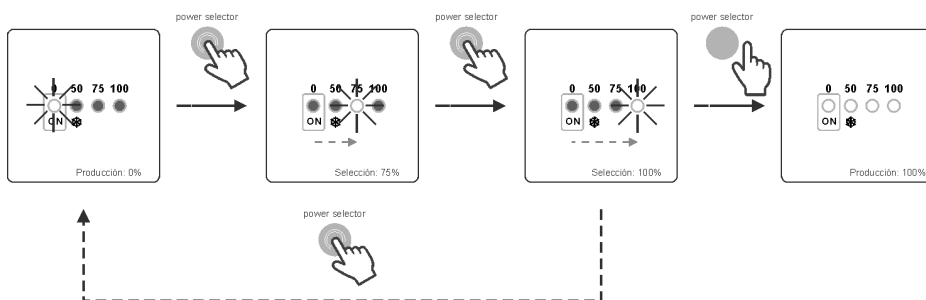


Fig. 13

El setpoint de producción programado se podrá visualizar en todo momento pulsando una vez la tecla “**POWER SELECTOR**” [2]. El led correspondiente al nivel de producción programado parpadeará durante unos segundos. Transcurrido este tiempo el indicador de producción volverá a indicar el nivel de producción actual.



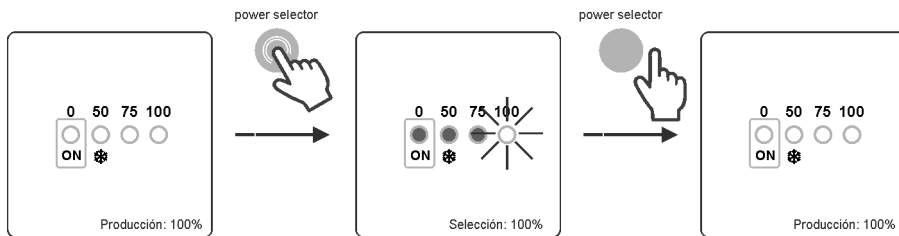


Fig. 14



**Modo INVIERNO:** durante periodos de baja temperatura en el agua, en los que la demanda de cloro va a ser baja, seleccionar un nivel de producción [1] del **50%**, ya que de esta manera se optimiza el consumo eléctrico y la duración del paquete de electrodos.

### 5.3. Modo TEST

Para entrar en MODO TEST, bajar el nivel de producción a **“0 %”** mediante sucesivas pulsaciones de la tecla **POWER SELECTOR** [2] (Fig. 15).

Una vez parado el sistema mantener pulsada esta misma tecla durante 10 segundos. El sistema indicará que ha entrado en MODO TEST iluminando todos los led durante un segundo.

A continuación seleccione el nivel de producción deseado mediante la tecla **POWER SELECTOR** [2].

Cuando el sistema se encuentra en MODO TEST, la intensidad del led indicador del **“0 %”** variará de forma secuencial.

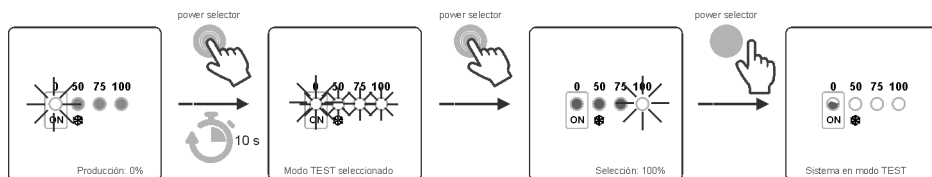


Fig. 15

En MODO TEST, el sistema pone a cero el temporizador de cambio de polaridad y el nivel de producción seleccionado. En este modo el sistema está totalmente operativo, efectuándose las inversiones de polaridad de los electrodos **cada 2 minutos**. Para salir del MODO TEST, será necesario desconectar durante unos segundos la alimentación del equipo. Al conectarla de nuevo, el sistema vuelve automáticamente al programa de auto-limpieza anterior.

## 5.4. Alarmas

- **NIVEL DE SAL ALTO**

En caso que se hubiera añadido sal en exceso, la fuente de alimentación disminuirá el nivel de potencia respecto del seleccionado de forma automática. El led "SALT" [3] permanecerá iluminado. En este caso, vaciar una parte de la piscina (por ejemplo, un 10%), y añadir agua fresca para disminuir la concentración de sal. Para un conocimiento preciso del nivel de sal recomendamos que utilice un medidor portátil de salinidad-temperatura.

- **NIVEL DE SAL BAJO**

En caso que el nivel de sal en el agua de la piscina estuviese por debajo del recomendado, la fuente de alimentación no podrá alcanzar el nivel de salida seleccionado. El led "SALT" [3] parpadeará. Es posible que el sistema indique niveles de sal inferiores a los reales si la temperatura del agua fuese inferior a 20°C o si el paquete de electrodos ha alcanzado el final de su vida útil. En este caso, determinar el nivel salino del agua y añadir la cantidad de sal necesaria. El tipo de sal común (NaCl) indicada para electrolisis salina no debe presentar aditivos (antiapelmazantes, yoduros) y debe ser apta para el consumo humano. Para un conocimiento preciso del nivel de sal recomendamos que utilice un medidor portátil de salinidad-temperatura.

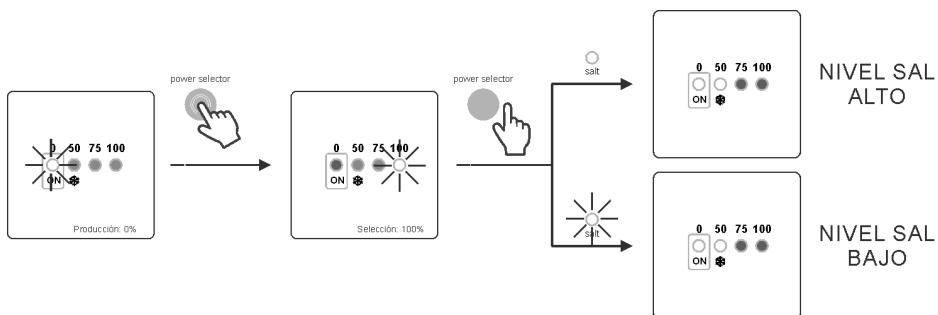
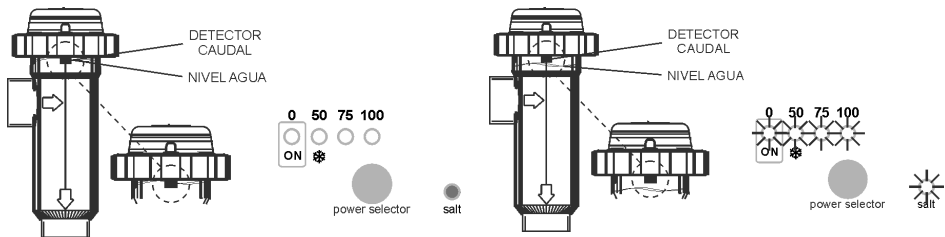


Fig. 16

- **NIVEL DE AGUA EN CELULA / DETECTOR DE FLUJO (GAS)**

Si en cualquier momento se formara una burbuja de aire o gas en la parte superior de la célula de electrolisis y el DETECTOR DE FLUJO no estuviese sumergido, el sistema desconectará automáticamente la salida de corriente hacia los electrodos, quedando todos los leds del panel de control parpadearando. El sistema se rearma automáticamente una vez se restituye el paso de agua por la célula o la burbuja es evacuada.



1. Detector de gas sumergido. Sistema operativo.

2. Gas detectado. Sistema detenido.

Fig. 17

- **CONTROL EXTERNO [JP2] ACTIVADO**

Cuando el controlador externo detecta un valor superior al setpoint fijado, desconecta automáticamente la producción y el led "0%" de la escala de producción [1] emite destellos intermitentes.

## 6. MANTENIMIENTO: \_\_\_\_\_

### 6.1. Mantenimiento de la célula de electrolisis

La célula debe mantenerse en condiciones adecuadas para asegurar un largo tiempo de funcionamiento. El sistema de electrolisis salina dispone de un sistema de limpieza automática de los electrodos que evita que se formen incrustaciones calcáreas sobre los mismos, por lo que no es previsible que sea necesario efectuar limpieza alguna de los mismos. No obstante, si fuese necesario efectuar la limpieza en el interior de la célula, proceder de la siguiente forma:

1. Desconectar la alimentación 230 Vac del equipo.
2. Desenroscar la tuerca de cierre situada en el extremo donde se encuentran los electrodos y sacar el paquete de electrodos.
3. Utilizar una solución diluida de ácido clorhídrico (una parte de ácido en 10 partes de agua), sumergiendo el paquete de electrodos en la misma durante 10 minutos como máximo.
4. **NUNCA RASPAR NI CEPILLAR LA CÉLULA O LOS ELECTRODOS.**

Los electrodos de un sistema de electrolisis salina están constituidos por láminas de titanio recubiertas de una capa de óxidos de metales nobles. Los procesos de electrolisis que tienen lugar sobre su superficie producen su desgaste progresivo, por lo que, con el fin de optimizar el tiempo de duración de los mismos, se deberían tener en cuenta los siguientes aspectos:

1. Pese a que se trata de sistemas de electrolisis salina AUTOLIMPIANTES, un funcionamiento prolongado del sistema a valores de pH por encima de 7,6 en aguas de elevada dureza puede producir la acumulación de depósitos calcáreos sobre la superficie de los electrodos. Estos depósitos deteriorarán progresivamente el recubrimiento, ocasionando una disminución de su tiempo de vida útil.
2. La realización de limpiezas/lavados frecuentes de los electrodos (como los descritos anteriormente) acortará su vida útil.
3. El funcionamiento prolongado del sistema a salinidades inferiores a 3 g./l. ocasiona un deterioro prematuro de los electrodos.
4. La utilización frecuente de productos algicidas con altos contenidos de cobre, puede producir la deposición del mismo sobre los electrodos, dañando progresivamente el recubrimiento. Recuerde que el mejor algicida es el cloro.

**7. PROBLEMAS / SOLUCIONES:**\_\_\_\_\_

Cualquier acción requerida para solucionar posibles problemas en el equipo debe realizarse siempre con éste desconectado de la red eléctrica. Cualquier problema no contemplado en el siguiente listado deberá ser solucionado por un técnico cualificado.

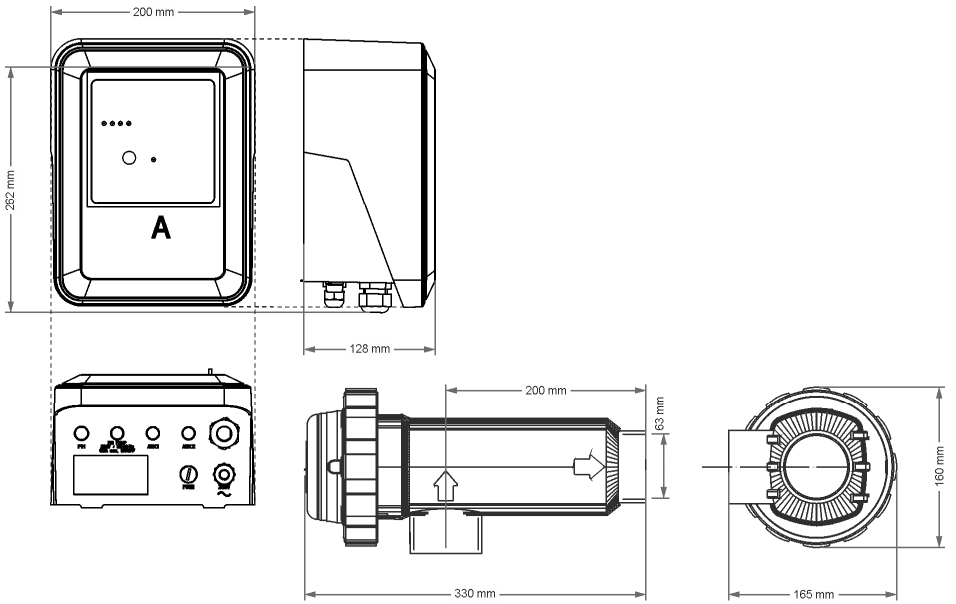
PROBLEMA	SOLUCION
<b>El indicador de producción indica siempre "0" en cualquier nivel de producción seleccionado</b>	Comprobar los electrodos. Comprobar las conexiones entre la fuente de alimentación y la célula de electrolisis. Comprobar la concentración de sal.
<b>La fuente de alimentación no se conecta</b>	Comprobar que el sistema está convenientemente conectado a 230 V/50-60 Hz en el cuadro de maniobra de la piscina. Comprobar el estado del fusible situado en la parte inferior del equipo.
<b>Los niveles de cloro libre en el agua son demasiado bajos</b>	Comprobar que el sistema produce cloro en las boquillas de impulsión. Verificar que los parámetros químicos del agua (pH, cloro combinado, ácido isocianúrico) son correctos. Aumentar el tiempo de filtración. Añadir estabilizante de cloro (ácido cianúrico) hasta alcanzar un nivel de 25 - 30 g/m <sup>3</sup> .

## 8. CARACTERISTICAS TECNICAS:

ESPECIFICACIONES TECNICAS:	
<b>Tensión de servicio</b> 230V AC - 50/60 Hz. Cable: MOD. 12 MOD. 21	3x1.0 mm <sup>2</sup> , 2 m. 0.4 A 0.4 A
<b>Fusible</b> MOD. 12 MOD. 21	2 AT (5x20 mm) 2 AT (5x20 mm)
<b>Tensión de salida</b> Cable MOD. 12 MOD. 21	3 x 2.5 mm <sup>2</sup> , 2 m. 10.5 VDC / 6.0 A 23.0 VDC / 3.5 A
<b>Producción</b> MOD. 12 MOD. 21	10 ... 12 g/h 17 ... 21 g/h
<b>Caudal recirculación mínimo</b> MOD. 12 MOD. 21	2 m <sup>3</sup> /h 3 m <sup>3</sup> /h
<b>Número de electrodos</b> MOD. 12 MOD. 21	5 7
<b>Peso neto (incluido embalaje)</b> MOD. 12 MOD. 21	6.5 Kg. 8.5 Kg.

CARACTERISTICAS GENERALES:
<b>Sistema de control</b> <ul style="list-style-type: none"> <li>• Microprocesador.</li> <li>• Teclado de membrana con pulsadores de control y leds indicadores de funcionamiento.</li> <li>• E/S de control: 2 entradas tipo contacto libre de tensión para estado de cubierta automática y controlador de ORP / cloro residual.</li> <li>• Salida a célula: control de producción.</li> <li>• Rango Salinidad / Temperatura: 5 - 12 g/l. / +15 - 40 °C.</li> </ul>
<b>Auto-limpieza</b> Automática, por inversión de polaridad
<b>Temperatura de trabajo</b> De 0°C a +50°C Refrigeración por convección natural
<b>Material</b> <ul style="list-style-type: none"> <li>• Fuente de alimentación ABS</li> <li>• Célula de electrolisis y portasondas Metacrilato transparente</li> </ul>

## Dimensiones



## **9. CONDICIONES DE GARANTIA:**

---

### **9.1. ASPECTOS GENERALES**

- 9.1.1. De acuerdo con estas disposiciones, el vendedor garantiza que el producto correspondiente a esta garantía no presenta ninguna falta de conformidad en el momento de su entrega.
- 9.1.2. El Periodo de Garantía Total es de 2 AÑOS.
- 9.1.3. El periodo de Garantía se calculará desde el momento de su entrega al comprador. El electrodo está cubierto por una garantía de 2 AÑOS (ó 3.000 horas), sin extensiones.
- 9.1.4. Si se produjera una falta de conformidad del Producto y el comprador lo notificase al vendedor durante el Periodo de Garantía, el vendedor deberá reparar o sustituir el Producto a su propio coste en el lugar donde considere oportuno, salvo que ello sea imposible o desproporcionado.
- 9.1.5. Cuando no se pueda reparar o sustituir el Producto, el comprador podrá solicitar una reducción proporcional del precio o, si la falta de conformidad es suficientemente importante, la resolución del contrato de venta.
- 9.1.6. Las partes sustituidas o reparadas en virtud de esta garantía no ampliarán el plazo de la garantía del Producto original, si bien dispondrán de su propia garantía.
- 9.1.7. Para la efectividad de la presente garantía, el comprador deberá acreditar la fecha de adquisición y entrega del Producto.
- 9.1.8. Cuando hayan transcurrido más de seis meses desde la entrega del Producto al comprador y éste alegue falta de conformidad de aquél, el comprador deberá acreditar el origen y la existencia del defecto alegado.
- 9.1.9. El presente Certificado de Garantía no limita o prejuzga los derechos que correspondan a los consumidores en virtud de normas nacionales de carácter imperativo.

### **9.2. CONDICIONES PARTICULARES**

- 9.2.1. Para la eficacia de esta garantía, el comprador deberá seguir estrictamente las indicaciones del Fabricante incluidas en la documentación que acompaña al Producto, cuando ésta resulte aplicable según la gama y modelo del Producto.
- 9.2.2. Cuando se especifique un calendario para la sustitución, mantenimiento o limpieza de ciertas piezas o componentes del Producto, la garantía sólo será válida cuando se haya seguido dicho calendario correctamente.

### **9.3. LIMITACIONES**

- 9.3.1. La presente garantía únicamente será de aplicación en aquellas ventas realizadas a consumidores, entendiéndose por “consumidor”, aquella persona que adquiere el Producto con fines que no entran en el ámbito de su actividad profesional.
- 9.3.2. No se otorga ninguna garantía respecto del normal desgaste por uso del producto, ni tampoco respecto a las piezas, componentes y/o materiales fungibles o consumibles (a excepción del electrodo).
- 9.3.3. La garantía no cubre aquellos casos en que el Producto: (i) haya sido objeto de un trato incorrecto; (ii) haya sido inspeccionado, reparado, mantenido o manipulado por persona no autorizada; (iii) haya sido reparado o mantenido con piezas no originales o (iv) haya sido instalado o puesto en marcha de manera incorrecta.



9.3.4. Cuando la falta de conformidad del Producto sea consecuencia de una incorrecta instalación o puesta en marcha, la presente garantía sólo responderá cuando dicha instalación o puesta en marcha esté incluida en el contrato de compra-venta del Producto y haya sido realizada por el vendedor o bajo su responsabilidad.

9.3.5. Daños o fallos del producto debido a cualquiera de las siguientes causas:

- Funcionamiento a salinidades inferiores a 3 g./l. de cloruro sódico y/o temperaturas de agua inferiores a 15°C o superiores a 40°C.
- Funcionamiento a pH superior a 7,6.
- Empleo de productos químicos no autorizados de forma explícita.
- Exposición a ambientes corrosivos y/o temperatura ambiente inferior a 0°C o superior a 50°C.

## 10. DECLARACION DE CONFORMIDAD CE \_\_\_\_\_

La siguiente gama de sistemas de electrolisis salina están certificados para uso final en piscinas:

Productos Certificados:

**SCG60 (MOD.12), SCG100 (MOD.21).**

Los productos mencionados con anterioridad son conformes a las siguientes Directivas CE y Estándares:

- Directiva de Baja Tensión (LVD) 2014/35/UE.
- Directiva de Compatibilidad Electromagnética (EMC) 2014/30/UE.
- Directiva ROHS 2011/65/EC

I.D. ELECTROQUIMICA, S.L.  
Pol. Ind. Atalayas, c./ Dracma R-19  
E-03114 Alicante  
España

Gaspar Sánchez  
Gerente

Fecha: 01/02/2017

**IMPORTANT: le manuel d'instructions que vous avez entre les mains contient des informations de première importance sur les mesures de sécurité à adopter au moment de l'installation et de la mise en marche. Il est par conséquent indispensable que l'installateur et l'utilisateur lisent attentivement les instructions avant de commencer le montage et la mise en marche. Conservez ce manuel en vue de futures consultations sur le fonctionnement de cet appareil.**



## Élimination de résidus de systèmes domestiques électriques et électroniques dans l'Union Européenne.

Tout produit marqué avec ce symbole indique qu'on ne peut pas l'éliminer avec le reste de résidus domestiques. Il est la responsabilité de l'utilisateur d'éliminer ce type de résidu en le déposant dans un point adéquat pour le recyclage sélectif de résidus électriques et électroniques. Le traitement adéquat et le recyclage de ces résidus contribue de manière essentielle à la conservation de l'Environnement et la santé des utilisateurs. Pour obtenir une information plus précise sur les points de récolte de ce type de résidu, contactez avec les autorités locales.

Les instructions contenues dans ce manuel décrivent le fonctionnement et l'entretien des systèmes d'Électrolyse de Sel. Pour obtenir un rendement optimal des Systèmes d'Électrolyse de Sel est nécessaire de suivre les instructions qui sont indiquées ensuite:

## **1. VÉRIFIEZ LE CONTENU DE L'EMBALLAGE:** \_\_\_\_\_

À l'intérieur de la boîte, vous trouverez les accessoires suivants:

- Source d'alimentation.
- Cellule d'électrolyse.
- Manuel du système.

## **2. CARACTERISTIQUES GÉNÉRALES:** \_\_\_\_\_

Une fois installé le système d'Électrolyse Saline, il est nécessaire de dissoudre une quantité de sel dans l'eau. Cette eau saline circule à travers la cellule d'électrolyse située dans l'épuratrice. Le système d'électrolyse saline comporte deux éléments: la cellule d'électrolyse et la source d'alimentation. La cellule d'électrolyse contient un nombre déterminé de plaques de titane (électrodes), de sorte que quand on applique un courant électrique et la solution saline passe à sa traversée, se produit du chlore libre. Le maintien d'un certain niveau de chlore dans l'eau de la piscine garantira sa qualité sanitaire. Un système d'Électrolyse Saline fabriquera chlore quand le système de recirculation de la piscine (bombe et filtre) seront opérationnels.

La source d'alimentation est dotée de divers dispositifs d'alarme qui s'activent en cas de fonctionnement anormal du système, ainsi qu'un système de contrôle de production contrôlé par microprocesseur. Les systèmes d'Électrolyse Saline disposent d'un système automatique de nettoyage des électrodes qui évite les incrustations calcaires sur les électrodes.

### 3. MISES EN GARDE DE SÉCURITÉ ET RECOMMANDATIONS: \_\_\_\_\_

- Le système doit être installé ou manipulé par personnel qualifié.
- Il faut respecter les normes en vigueur électriques et pour la prévention d'accidents.
- Le fabricant ne se responsabilisera en aucun cas du montage, de l'installation ou mise en fonctionnement ni de la manipulation ou incorporation de composants qui n'auront pas été réalisés dans ses installations.
- Les Systèmes d'Électrolyse Saline travaillent à 230VAC, 50/60 Hz. N'essayez pas de modifier le système pour travailler sous un autre voltage.
- S'assurer de réaliser des connexions consistantes pour éviter de faux contacts lors du préchauffement.
- Avant de procéder à l'installation ou au remplacement d'un certain composant, débrancher l'appareil du réseau électrique, et utilisez exclusivement des rechanges fournis par le fabricant.
- Étant donné que l'appareil génère de la chaleur, il est important de l'installer dans un endroit suffisamment aéré et de veiller à maintenir les orifices de ventilation dégagés de tout élément obstruant. Veiller à ne pas l'installer près de matériaux inflammables.
- Les Systèmes d'Électrolyse Saline disposent d'un degré de protection IP24. Ils ne doivent en aucun cas être installés dans des endroits exposés aux inondations.

### SOURCE D'ALIMENTATION:

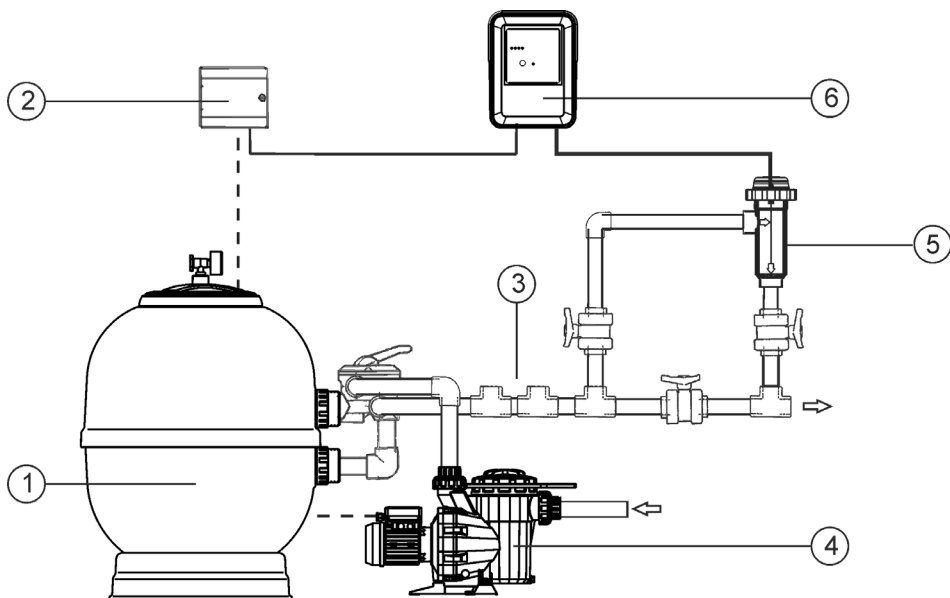
DESCRIPTION	MODELE	
	SCG60 (MOD.12)	SCG100 (MOD.21)
Tension de service standard	230 V AC, 50 Hz./60 Hz.	
Sortie (dc)	6 A x 2	3.5 A x 6
Production (g/h)	10 - 12	17 - 21
Capacité piscine (m <sup>3</sup> ) Tempéré: 16 - 24°C Chaud: +25°C	60 50	100 80
Détecteur flux	Détecteur gaz	
Rang de Salinité / Température	5 - 12 g./l. / +15 - 40°C	
Électrodes	Titane avec recouvrement AUTO-NETTOYANTE Temps de vie prévu: 8.000 - 10.000 heures (suivant la qualité de l'eau) <sup>(2)</sup>	
Contrôle production	0 - 50 - 75 - 100 % ( 3 niveaux de production)	
Inversion polarité	Programmable : 2 <sup>(1)</sup> / 3 heures (jumper en plaque de contrôle) + mode test	
Protection niveau de sel	Protection automatique de production	

<sup>(1)</sup> Valeurs par défaut de fabrique.

<sup>(2)</sup> Dans conditions idéales : salinité (6 g/l), pH (7,2), dureté de l'eau (120 mg/l) et débit minimum.

## CELLULE D'ÉLECTROLYSE

DESCRIPTION	MODELE	
	SCG60 (MOD.12)	SCG100 (MOD.21)
Débit minimum	2 m <sup>3</sup> /h	3 m <sup>3</sup> /h
Nombre d'électrodes	5	7
Matériel	Derivé méthacrylate	
Connexion tuyau	Encollage avec adhésif pour tuyau PVC Ø 63 mm.	
Pression maximale recommandée	1 Kg./cm <sup>2</sup>	
Température fonctionnement	Moins de 40°C	



- 1.- Filtre.  
 2.- Panneau de contrôle.  
 3.- Autres équipements (échangeur de chaleur, UV, etc.).  
 4.- Pompe.  
 5.- Cellule d'électrolyse.  
 6.- Source d'alimentation.

Fig.1 Diagramme d'installation recommandée.

## 4. INSTALLATION: \_\_\_\_\_

### 4.1. Installation de la source d'alimentation

Toujours installer la SOURCE D'ALIMENTATION du système VERTICALEMENT et sur une surface (mur) rigide comme dans le diagramme d'installation recommandée (Fig. 1). Pour garantir son bon état de conservation, vous devez essayer de toujours installer l'équipement dans un endroit sec et bien ventilé. Le degré d'étanchéité de la SOURCE D'ALIMENTATION du système ne permet pas son utilisation en plein air. La SOURCE D'ALIMENTATION devra préférablement être installée suffisamment loin de la cellule d'électrolyse de façon à ce qu'elle ne puisse pas subir d'éclaboussure d'eau accidentellement.

#### Avertissement



**Très important : évitez la formation de milieux corrosifs dus aux solutions qui diminuent le pH (concrètement celles formulées avec acide chlorhydrique « HCl »). Ne jamais installer le système près des lieux de stockage de ces produits. Nous recommandons spécialement l'utilisation de produits basés en bisulfate sodique ou acide sulfurique dilué. La connexion de la source d'alimentation au réseau électrique doit s'effectuer sur le panneau électrique de l'épurateur, de façon que la pompe et le système d'électrolyse saline se connectent simultanément.**

### 4.2. Installation de la cellule d'électrolyse

La cellule d'électrolyse est fabriquée d'un polymère transparent à l'intérieur duquel se logent les électrodes. La cellule d'électrolyse devra être installée dans un endroit à l'abri des intempéries et **toujours derrière le système de filtration**, en cas d'existence d'autres dispositifs dans l'installation tels que des pompes à chaleur, des systèmes de contrôle, etc. ; ceux-ci devront toujours être placés avant le système d'électrolyse.

L'installation de la cellule devrait permettre l'accès facile de l'utilisateur aux électrodes installées. La cellule d'électrolyse doit toujours être placée dans un endroit de la canalisation qui puisse être isolé du reste de l'installation grâce à deux vannes, de telle façon que les tâches d'entretien de celle-ci puissent être effectuées sans vider entière ou partiellement la piscine.

Si la cellule s'installe en by-pass (option recommandée), vous devrez introduire une vanne qui régule le débit à travers de celle-ci. Avant de procéder à l'installation définitive du système, les commentaires suivants doivent être considérés:

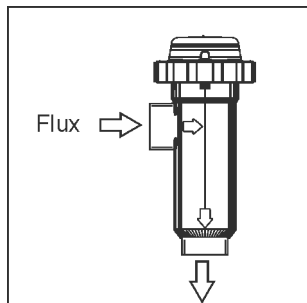


Fig. 2

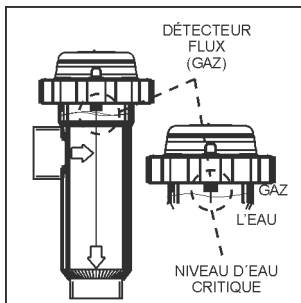


Fig. 3

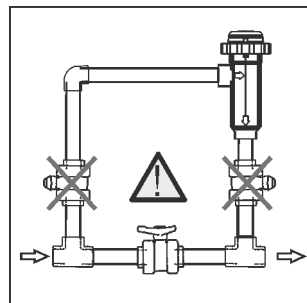


Fig. 4

1. Le sens du fluide marqué sur la cellule doit être respecté. Le système de circulation doit garantir le débit minimal consigné dans le Tableau de Spécificités Techniques pour chaque modèle (voir section 8).

2. Le système détecteur de flux (détecteur de gaz) s'active en cas de non circulation de l'eau à travers la cellule ou bien si le flux est très faible. La non-évacuation du gaz d'électrolyse génère une poche qui isole électriquement l'électrode auxiliaire (détection électronique). Par conséquent, en introduisant les électrodes dans la cellule, la sonde de niveau (électrode auxiliaire) doit rester située dans la partie supérieure de celle-ci. La disposition la plus sûre est celle du diagramme d'installation recommandée.

3. **ATTENTION:** le détecteur de flux ne fonctionnera pas correctement, ce qui produira un risque de rupture de la cellule, si les vannes d'entrée et de sortie de la canalisation où est installée la cellule d'électrolyse se ferment simultanément. Bien que cela reste une situation extrêmement inhabituelle, on peut l'éviter **en bloquant, une fois l'équipement installé, la vanne de la sortie vers la piscine**, de mode qu'elle ne puisse pas être manipulée accidentellement.

D'autres installations seraient seulement acceptables si elles permettent la détection de débit faible ou nul.

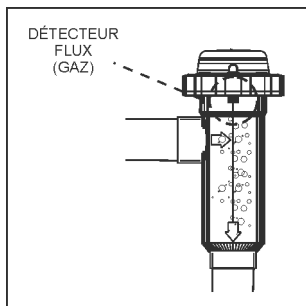


Fig. 5

**Installation RECOMMANDÉE**

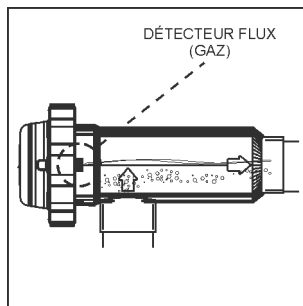


Fig. 6

**Installation ACCEPTABLE**

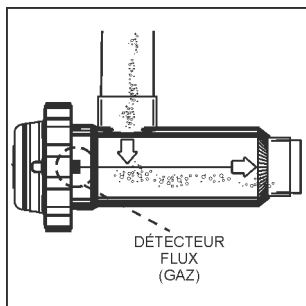


Fig. 7

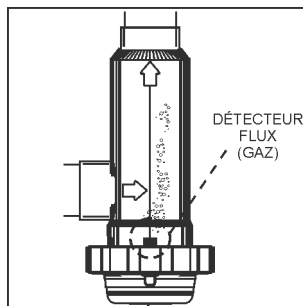
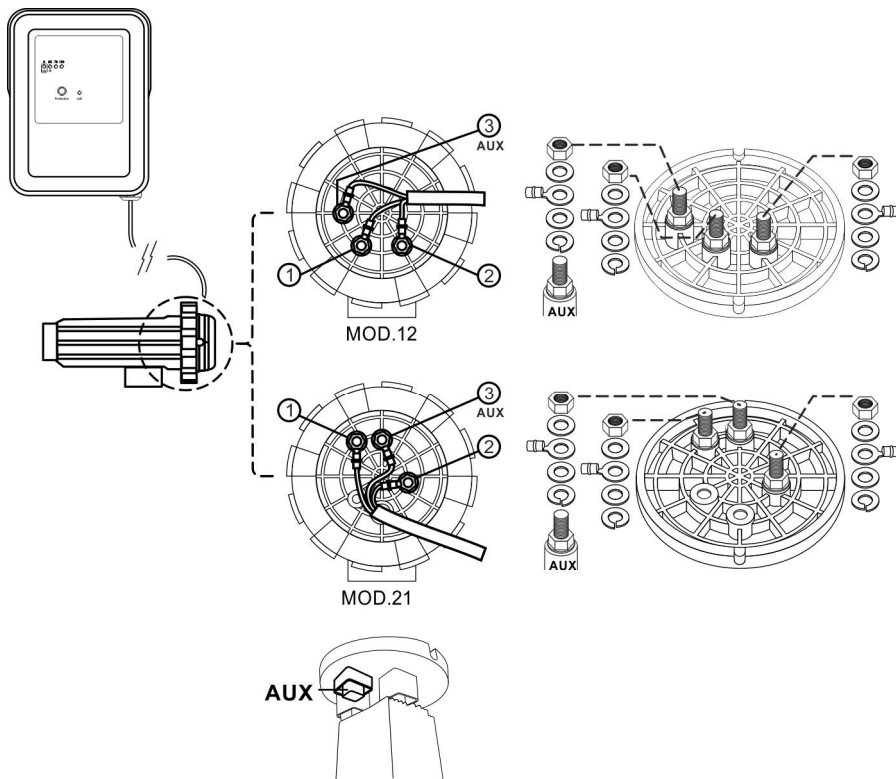


Fig. 8

**Installations INACCEPTABLES**

### 4.3. Connexions électriques de la cellule d'électrolyse

Réaliser l'interconnexion entre la cellule d'électrolyse et la source d'alimentation selon le schéma suivant. Dû à l'intensité relativement élevée du courant qui circule dans les câbles d'alimentation de la cellule d'électrolyse, la longueur et la section de ceux-ci ne doivent en aucun cas être modifiés sans consulter au préalable votre distributeur agréé. Le câble de connexion cellule-source d'alimentation ne doit jamais dépasser la longueur maximale recommandée dans ce Manuel: MOD.12 (6 A), 8 m.; MOD.21 (3.5 A), 30 m.

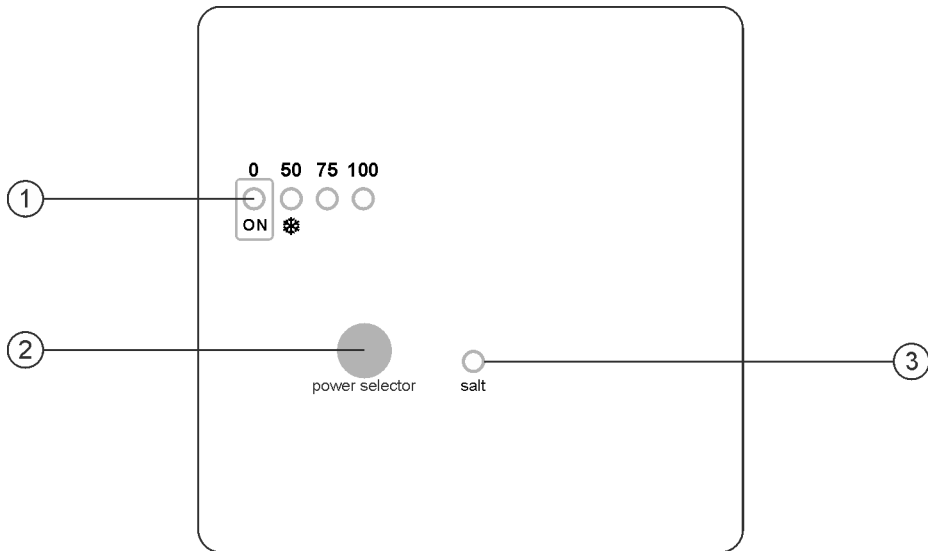


- 1.- Électrode 1 (Rouge).
- 2.- Électrode 2 (Rouge).
- 3.- Détecteur flux (Jaune)

Fig.9

#### 4.4. Contrôles et indicateurs

Les systèmes d'Électrolyse Saline sont équipés avec un panneau de contrôle placé sur son (Fig. 10).



1.- Échelle de production (%).

Échelle	Production	Gamme
	Système arrêté	
	0 %	0 ... 5%
	25 %	5 ... 35%
	50 %	35 ... 55%
	75 %	55 ... 80%
	100 %	80 ... 100%

2.- Touche de sélection du niveau de production.

3.- ALARME SALINITÉ (aute/basse)

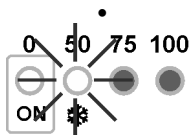
Fig. 10. Panneau de contrôle des systèmes MOD. XX



#### 4.5. Programmation et contrôle

En plus des opérations de base, le Système d'Électrolyse de Sel dispose d'une entrée pour contrôle externe au moyen d'un contrôleur ORP, chlore résiduel, etc.; ainsi que d'une autre pour le réglage de la production de l'équipement lors de l'activation de la couverture automatique de la piscine. Il permet en outre la configuration de trois modes d'AUTONETTOYAGE des électrodes : TEST, 2/2, 3/3 heures.

- **Système d'AUTONETTOYAGE DES ÉLECTRODES** : la fréquence d'inversion peut être sélectionnée au moyen du jumper « **JP1** » situé dans la carte de contrôle du système (Fig. 11). Cette configuration sera effective quand l'on déconnecte et reconnecte la source d'alimentation.
- **Contrôle COUVERTE AUTOMATIQUE** : le système dispose d'une entrée pour contact libre de tension. Lorsque le contact connecté à cette entrée se ferme (couverture automatique FERMÉE), le système d'électrolyse réduit sa production à **10%** de sa valeur nominale (le led « **50%** » de l'échelle de production restera illuminé).



- **Contrôle EXTERNE**: le système dispose d'une entrée auxiliaire supplémentaire pour contact libre de tension. Cette entrée peut être utilisée pour l'interaction du système d'électrolyse avec un contrôleur externe (ORP, CHLORE RÉSIDUEL, PHOTOMÈTRE, etc.). Lorsque le contact connecté à cette entrée est OUVERT, le système d'électrolyse s'arrête. Pour activer cette entrée, il faut mettre en place le jumper « **JP2** » situé sur la carte de contrôle de l'unité. Cette configuration sera effective quand l'on déconnecte et reconnecte la source d'alimentation.

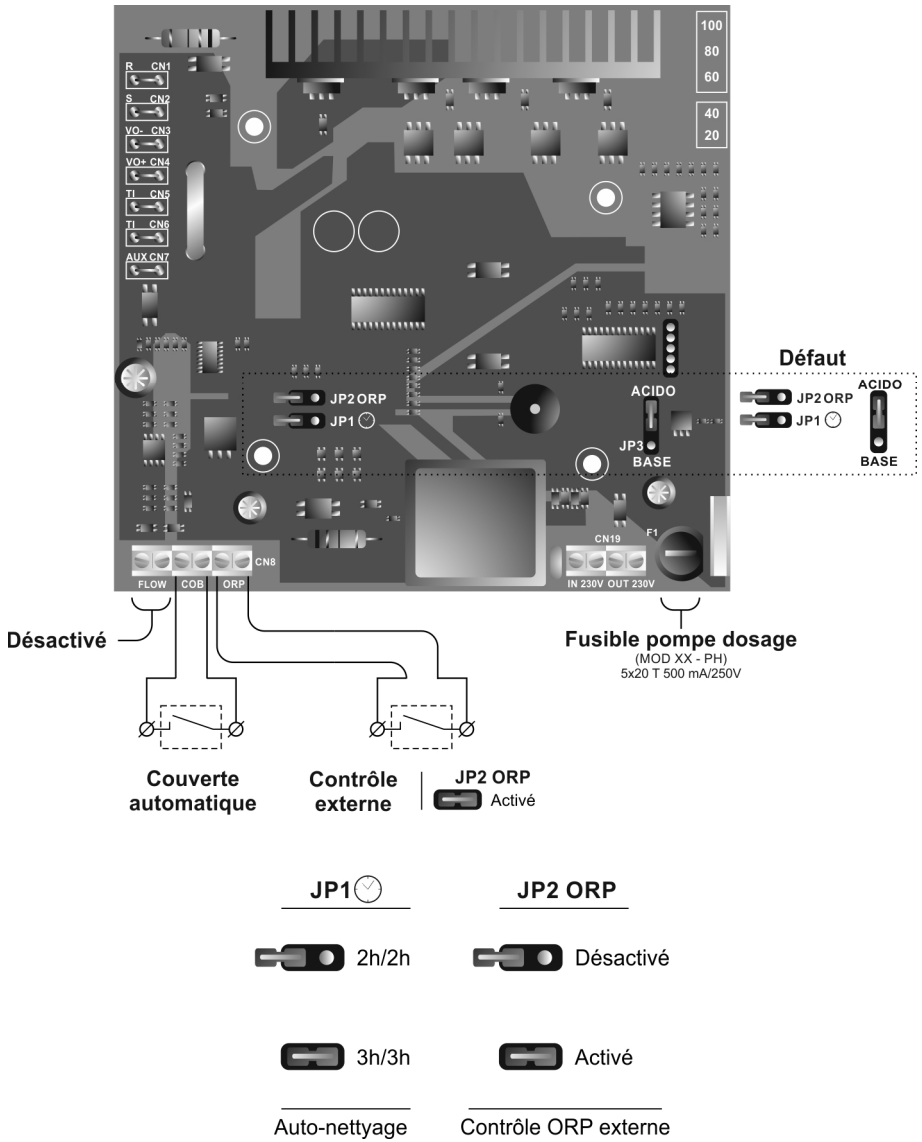


Fig. 11

#### 4.6. Mise en marche

1. S'assurer que le filtre est propre à 100%, et que la piscine et l'installation ne contiennent ni cuivre, ni fer, ni algues. Tout équipement de chauffage installé doit être compatible avec la présence de sel dans l'eau.

2. Équilibrer l'eau de la piscine. Ceci nous permettra d'obtenir un traitement plus efficace avec une concentration plus faible de chlore libre dans l'eau, ainsi qu'un fonctionnement prolongé des électrodes et une moindre formation de dépôts calcaires dans la piscine:

a) Le pH doit être de 7.2-7.6

b) L'alcalinité totale doit être de 60-120 ppm.

3. Bien que le système puisse fonctionner avec une plage de salinité de 5 - 12 g/l, il convient d'essayer de maintenir le niveau minimum de sel recommandé de 6 g/l, en ajoutant 6 Kg. pour chaque m<sup>3</sup> d'eau si l'eau ne contenait pas de sel au préalable. Toujours utiliser du sel commun (chlorure de sodium), sans additifs tels que iodures ou anti-compactants, et qui soit apte à la consommation humaine. Ne jamais ajouter le sel à travers la cellule. Ajouter-la directement à la piscine ou dans le vaisseau de compensation (loin du drain de la piscine).

4. En ajoutant le sel, et dans le cas où la piscine va être utilisée de façon immédiate, effectuer un traitement avec chlore. Comme dose initiale, on peut ajouter 2 g/m<sup>3</sup> d'acide trichloroisocyanurique.

5. Avant de commencer le cycle de travail, déconnecter la source d'alimentation et mettre en marche la pompe de l'épurateur pendant 24 heures pour garantir la dissolution complète du sel.

6. Ensuite, mettre en marche le système d'électrolyse saline, en situant le niveau de production de façon que le niveau de chlore libre se maintienne aux niveaux recommandés (0.5 - 1.5 ppm).

NOTE : pour pouvoir déterminer le niveau de chlore libre vous devrez employer un kit d'analyse.

7. Dans des piscines à forte insolation ou d'utilisation intensive, il est conseillé de maintenir un niveau de 25-30 g./m<sup>3</sup> de stabilisant (acide isocyanurique). Dans aucun cas, on devra dépasser un niveau de 75 g/m<sup>3</sup>. Ceci servira d'appui grande aide pour éviter la destruction du chlore libre présent dans l'eau par l'action de la lumière solaire.

## 5. FONCTIONNEMENT:



### 5.1. Système arrêté

Le système entre en mode « ATTENTE » lorsque l'on appuie plusieurs fois sur la « **POWER SELECTOR** » [2] jusqu'à ce que le led de « 0 % » clignote. Dans cette situation, il n'y a pas de production dans la cellule d'électrolyse.

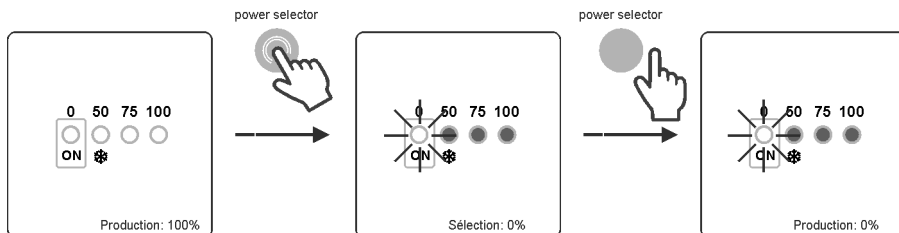


Fig. 12

### 5.2. Sélection du niveau de production

Pour sélectionner le niveau de production désiré, appuyer plusieurs fois sur le touche « **POWER SELECTOR** » [2] jusqu'à ce que le led correspondant au niveau de production désiré clignote. Après quelques secondes, le système situera sa production au niveau sélectionné.

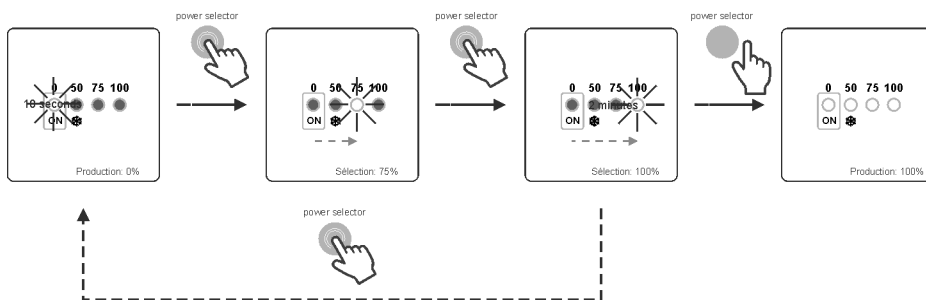


Fig. 13

La valeur de production programmée peut être visualisée n'importe quand en appuyant une fois la touche « **POWER SELECTOR** » [2]. Le led correspondant au niveau de la production sélectionné clignotera pendant quelques secondes. Passé ce délai, l'échelle de production retournera pour indiquer le niveau de production actuel.

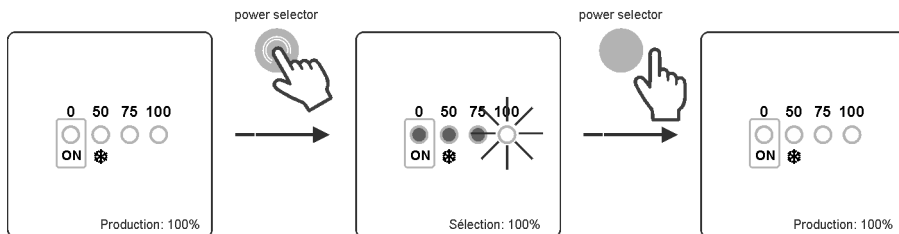


Fig. 14



**MODE HIVER:** pendant les périodes de température faible de l'eau et où la demande de chlore sera faible, sélectionnez un niveau de production [1] de **50%**. Cela permettra d'optimiser la consommation d'énergie et la durée de l'ensemble de électrodes.

### 5.3. Mode TEST

Pour entrer en MODE TEST, baisser le niveau de production à **0 %** en appuyant plusieurs fois sur la touche « **POWER SELECTOR** » [2] (Fig. 15).

Une fois le système arrêté, maintenir cette touche appuyée pendant 10 secondes. Le système indiquera qu'il est entré en MODE TEST en illuminant tous les leds pendant une seconde.

Ensuite sélectionnez le niveau de production désirée en appuyant sur la touche « **POWER SELECTOR** » [2].

Lorsque le système se trouve en MODE TEST, l'intensité du led « **0 %** » variera de manière séquentielle.

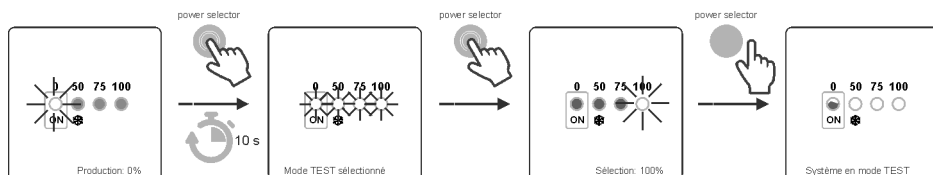


Fig. 15

En mode test, le système réinitialise le temporisateur de inversion de polarité et le niveau de sortie sélectionné. Dans ce mode, le système est totalement opérationnel, les inversions de polarités des électrodes s'effectuant **toutes les 2 minutes**. Pour quitter le MODE TEST, il faudra couper l'alimentation du système pendant quelques secondes. Le système retourne automatiquement au programme d'auto-nettoyage avant, une fois que le système est reconnecté.

## 5.4. Alarmes

- **HAUT NIVEAU DE SEL**

Dans le cas où l'on aurait ajouté trop de sel, la source d'alimentation diminuera automatiquement le niveau de puissance par rapport au niveau sélectionné. Le led « SALT » [3] restera illuminé. Dans ce cas, vider une partie de la piscine (par exemple, environ 10%), et ajouter de l'eau fraîche pour diminuer la concentration de sel. Pour une connaissance précise du niveau de sel, nous recommandons d'utiliser un appareil de mesure portable de salinité-température.

- **FAIBLE NIVEAU DE SEL**

Dans le cas où le niveau de sel dans l'eau de la piscine serait inférieur au niveau recommandé, la source d'alimentation ne pourra pas atteindre le niveau de sortie sélectionné. Le led « SALT » [3] clignotera. Il est possible que le système indique valeurs de salinité inférieures à la réalité, si la température est inférieure à 20°C ou si l'électrode a atteint la fin de sa vie utile. Dans ce cas, déterminer le niveau de salinité de l'eau et ajouter la quantité de sel nécessaire. Le type de sel commun (NaCl) indiqué pour électrolyse saline ne doit pas présenter d'additifs (antiagglomérants, iodures) et doit être apte à la consommation humaine. Pour une connaissance précise du niveau de sel, nous recommandons d'utiliser un appareil de mesure portable de salinité-température.

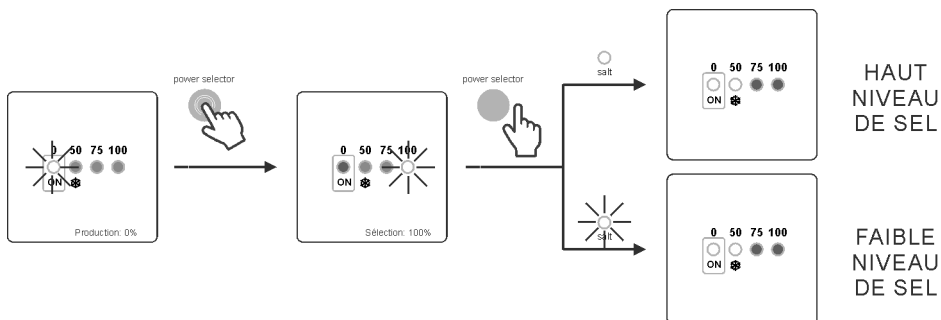


Fig. 16

- **NIVEAU D'EAU EN CELLULE/DÉTECTEUR DÉBIT (GAZ)**

S'il apparaît une bulle d'air ou gaz dans la partie supérieure de la cellule d'électrolyse et le DÉTECTEUR DE FLUX n'est pas immergé, le système arrêtera automatiquement la production et tous les voyants du panneau de commande clignoteront. Le système se réarme automatiquement une fois que le passage de l'eau est rétabli dans la cellule ou que la bulle est évacuée.

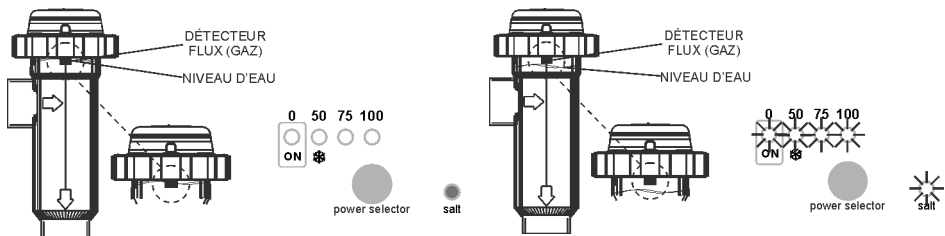


Fig. 17

- **CONTRÔLE EXTERNE [JP2] ACTIVÉ**

Lorsqu'une valeur supérieure au setpoint fixé est détectée, le contrôleur externe arrête automatiquement la production et le led « 0% » de l'échelle de production [1] scintille.

## 6. ENTRETIEN:

---

### 6.1. Mantenimiento de la célula de electrolisis

La cellule doit se maintenir dans des conditions adéquates pour assurer une longue durée de fonctionnement. Le système d'électrolyse saline dispose d'un système de nettoyage automatique des électrodes qui évite la formation d'incrustations calcaires et c'est pourquoi, en principe, il ne sera pas nécessaire les nettoyer. Cependant, si le nettoyage à l'intérieur de la cellule est nécessaire, procédez de la manière suivante :

1. Débrancher l'alimentation 230 Vac du système.
2. Dévisser l'écrou de fermeture situé aux extrémités où se trouvent les électrodes, et extraire le paquet d'électrodes.
3. Utiliser une solution diluée d'acide chlorhydrique (une dose d'acide dans 10 doses d'eau), en submergeant le paquet d'électrodes dans celle-ci pendant 10 minutes maximum.
4. **NE JAMAIS GRATTER OU BROSSER LA CELLULE OU LES ELECTRODES.**

Il faut tenir compte du fait que les électrodes d'un système d'électrolyse saline sont constituées de lames de titane recouvertes d'une couche d'oxyde de métaux nobles. Les procédés d'électrolyse qui ont lieu sur sa surface produisent son usure progressive. Afin d'optimiser le temps de durée des électrodes il est important de tenir en compte les aspects suivants:

1. Bien qu'il s'agisse de systèmes d'électrolyse saline AUTONETTOYANTS, un fonctionnement prolongé du système avec des valeurs de pH supérieures à 7,6 dans des eaux d'une dureté élevée peut produire l'accumulation de dépôts calcaires sur la surface des électrodes. Ces dépôts détérioreront progressivement le recouvrement, occasionnant une diminution de son temps de vie utile.
2. Ne pas effectuer trop fréquemment des lavements du paquet d'électrodes comme ceux décrits antérieurement.
3. Le fonctionnement prolongé du système à des salinités inférieures à 3 g/l occasionne une détérioration prématurée des électrodes.
4. L'utilisation fréquente de produits algicides à contenus élevés en cuivre peut provoquer un dépôt de celui-ci sur les électrodes, détériorant progressivement le recouvrement. Pensez que le meilleur algicide c'est le chlore.



**7. PROBLÈMES / SOLUTIONS:** \_\_\_\_\_

Il faut toujours débrancher l'appareil du réseau électrique avant d'entreprendre toute action requise pour y solutionner de possibles problèmes. Tout problème qui n'est pas envisagé dans la liste suivante devra être résolu par un technicien qualifié.

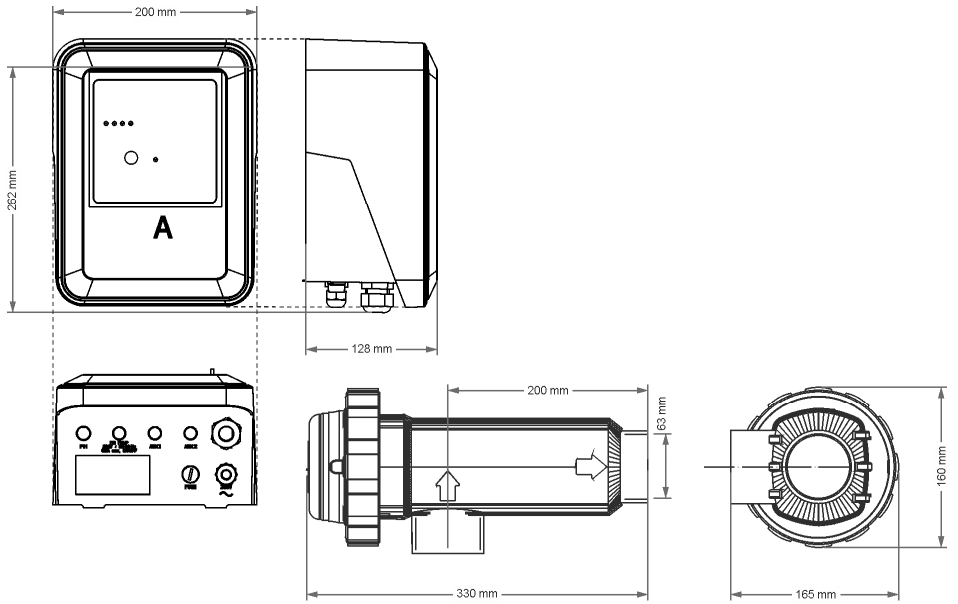
PROBLÈME	SOLUTION
<b>L'indicateur de production indique toujours « 0 » dans n'importe quel niveau de production choisi</b>	Vérifier l'état des électrodes. Vérifier les connexions électriques entre la source d'alimentation et la cellule d'électrolyse. Vérifier la concentration de sel.
<b>La source d'alimentation ne se connecte pas</b>	Vérifier que le système est convenablement alimenté à 230 V/ 50-60 Hz depuis le cadran de manoeuvre de l'épurateur. Vérifier l'état du fusible situé sur la partie inférieure de la source d'alimentation.
<b>Le niveau de chlore dans la piscine est faible</b>	Vérifier sur les bouches de refoulement de la piscine que le système produit du chlore. Vérifier que les paramètres chimiques de l'eau (pH, chlore combiné, acide isocyanurique) son corrects. Augmenter le temps de filtration. Ajouter stabilisant (acide isocyanurique) jusqu'à atteindre une concentration de 25-30 g./m <sup>3</sup>

## 8. CARACTERISTIQUES TECHNIQUES:

SPÉCIFICATIONS TECHNIQUES:	
<b>Tension de service</b> 230V AC - 50/60 Hz. <b>Câble:</b> MOD. 12 MOD. 21	3x1.0 mm <sup>2</sup> , 2 m. 0.4 A 0.4 A
<b>Fusible</b> MOD. 12 MOD. 21	2 AT (5x20 mm) 2 AT (5x20 mm)
<b>Voltage de sortie</b> Câble MOD. 12 MOD. 21	3 x 2.5 mm <sup>2</sup> , 2 m. 10.5 VDC / 6.0 A 23.0 VDC / 3.5 A
<b>Production</b> MOD. 12 MOD. 21	10 ... 12 g/h 17 ... 21 g/h
<b>Débit recirculation minimum</b> MOD. 12 MOD. 21	2 m <sup>3</sup> /h 3 m <sup>3</sup> /h
<b>Nombre d'électrodes</b> MOD. 12 MOD. 21	5 7
<b>Poids net (emballage compris)</b> MOD. 12 MOD. 21	6.5 Kg. 8.5 Kg.

CARACTÉRISTIQUES GÉNÉRALES:
<b>Système de contrôle</b> <ul style="list-style-type: none"> <li>• Microprocesseur.</li> <li>• Clavier de membrane avec des touches de contrôle et leds indicateurs de fonctionnement.</li> <li>• E/S de contrôle: 2 entrées (type contacte libre de potentiel) pour l'état de la couverture automatique et le contrôleur externe (ORP, CHLORE RESIDUEL, etc.).</li> <li>• Sortie cellule: contrôle de production (5 niveaux discrets).</li> <li>• Rang de salinité / Température: 5-12 g/l. / +15 - 40°C.</li> </ul>
<b>Auto-nettoyage</b> Inversion de polarité automatique
<b>Température de travail</b> De 0°C à +50°C Réfrigération: convection naturel
<b>Matériel</b> <ul style="list-style-type: none"> <li>• Source d'alimentation: ABS.</li> <li>• Cellule d'électrolyse: Métacrylate transparent</li> </ul>

## Dimensions



## **9. CONDITIONS DE GARANTIE:** \_\_\_\_\_

### **9.1. ASPECTS GÉNÉRAUX**

- 9.1.1. Conformément à ces dispositions, le vendeur garantit que le produit correspondant à cette garantie ne présente aucun défaut de conformité au moment de sa livraison.
- 9.1.2. La Période de Garantie totale est de 2 ANS.
- 9.1.3. La Période de Garantie sera calculée à partir de la livraison à l'acheteur. L'électrode est couverte par une garantie de 2 ANS (ou 3.000 heures), sans extensions
- 9.1.4. En cas de défaut de conformité du produit et si l'acheteur le notifie au vendeur pendant la période de garantie, le vendeur devra réparer ou remplacer le produit à ses frais et à l'endroit qu'il considère opportun, sauf si cela est impossible ou manifestement disproportionné.
- 9.1.5. Lorsqu'il est impossible de réparer ou de remplacer le produit, l'acheteur pourra demander une réduction proportionnelle du prix, ou, si le défaut de conformité est suffisamment important, la résiliation du contrat de vente.
- 9.1.6. Les parties remplacées ou réparées en vertu de cette garantie n'allongeront pas le délai de la garantie du produit original, mais disposeront de leur propre garantie.
- 9.1.7. Pour l'effectivité de la présente garantie, l'acheteur devra justifier la date d'acquisition et de livraison du produit.
- 9.1.8. Lorsque plus de six mois se sont écoulés depuis la livraison du produit à l'acheteur et que celui-ci invoque un défaut de conformité de ce produit, l'acheteur devra justifier l'origine et l'existence du défaut invoqué.
- 9.1.9. Le présent Certificat de Garantie ne limite ni ne préjuge les droits qui correspondent aux consommateurs en vertu de normes nationales à caractère impératif.

### **9.2. CONDITIONS PARTICULIÈRES**

- 9.2.1. Pour l'effectivité de cette garantie, l'acheteur devra suivre strictement les indications du fabricant, comprises dans la documentation qui accompagne le produit, pour autant qu'elle soit applicable en fonction de la gamme et du modèle du produit.
- 9.2.2. Lorsqu'un calendrier est indiqué pour le remplacement, la maintenance ou le nettoyage de certaines pièces ou de certains composants du produit, la garantie sera valable uniquement si ce calendrier a été respecté.

### **9.3. LIMITATIONS**

- 9.3.1. La présente garantie sera uniquement d'application pour les ventes réalisées aux consommateurs, ce terme de « consommateur » correspondant à toute personne qui acquière le produit à des fins n'entrant pas dans le cadre de son activité professionnelle.
- 9.3.2. Aucune garantie n'est octroyée en ce qui concerne l'usure normale par utilisation du produit ni en ce qui concerne les pièces, composants et/ou matériaux fongibles ou consommables (à exception de l'électrode).
- 9.3.3. La garantie ne couvre pas les cas où le produit : (i) a été l'objet d'un traitement incorrect ; (ii) a été vérifié, réparé, entretenu ou manipulé par une personne non autorisée ; (iii) a été réparé ou entretenu avec des pièces non originales ou (iv) a été installé ou mis en marche de manière incorrecte.

9.3.4. Lorsque le défaut de conformité du produit est la conséquence d'une installation ou d'une mise en marche incorrectes, la présente garantie sera seulement effective lorsque ladite installation ou mise en marche est incluse dans le contrat de vente du produit et a été réalisée par le vendeur ou sous sa responsabilité.

9.3.5. Dommages ou défauts du produit dus à une des causes suivantes:

- Fonctionnement à salinités inférieures à 3 g/l. de chlorure de sodium et/ou températures de l'eau inférieures à 15°C ou supérieures à 40°C.
- Fonctionnement à pH supérieur à 7,6.
- Emploi de produits chimiques non explicitement autorisés.
- Exposition à des environnements corrosifs et/ou à des températures inférieures à 0°C ou supérieures à 50°C.

## 10. DÉCLARATION "CE" DE CONFORMITÉ: \_\_\_\_\_

La gamme suivante de systèmes d'électrolyse au sel est certifiée pour une utilisation finale dans les piscines:

Produits certifiés:

**SCG60 (MOD.12), SCG100 (MOD.21).**

Los productos mencionados con anterioridad son conformes a las siguientes Directivas CE y Les produits mentionnés ci-dessus sont conformes aux Directives et Normes suivantes :

- La Directive des Appareils à Basse Tension (LVD) 2014/35/UE.
- La Directive de Compatibilité Électromagnétique (EMC) 2014/30/UE.
- La Directive ROHS 2011/65/EC.

I.D. ELECTROQUIMICA, S.L.  
Pol. Ind. Atalayas, c./ Dracma R-19  
E-03114 Alicante  
Espagne



Gaspar Sánchez  
Gérant

Date: 01/02/2017

**WICHTIG:** Das Handbuch mit den Betriebsanleitungen, das Sie in Händen halten, enthält wichtige Information über die anzuwendenden Sicherheitsmaßnahmen für die Installation und Inbetriebnahme. Es ist daher unerlässlich, daß die Anweisungen vom Installateur und vom Benutzer vor der Montage und Inbetriebnahme aufmerksam durchgelesen werden. Bewahren Sie dieses Handbuch auf, falls Sie zu einem späteren Zeitpunkt Informationen über die Funktion dieses Apparates nachschlagen.



**Die Entsorgung der Abfälle von elektronischen Haushaltsgeräten bzw sonstigen elektronischen Produkten in der Europäischen Union.**

Alle Produkte die mit diesem Symbol markierte sind, zeigen an, das diese nicht mit den restlichen elektronischen Haushaltsgeräten zusammen entsorgt werden dürfen. Die Verantwortung liegt beim Benutzer, das die elektronischen Abfälle in die jeweiligen wiederverwertbaren Vorrichtungen entsorgt werden. Die richtige Behandlung und Verarbeitung von diesen Abfällen, trägt wesentlich zur Erhaltung der Umwelt und zur Erhaltung der Gesundheit der Benutzer bei. Um eine präzise information über die Abholtellen von den Abfällen zukubekommen, nimmt man Kontakt mit den Verantwortlichen der lokalen Stelle auf.

Die Anweisungen in diesem Betriebshandbuch erklären die Funktionsweise und die Wartung von Salzelektrolysesystemen. Für eine optimale Leistung des Salzelektrolysesystems wird empfohlen, die folgenden Anweisungen zu befolgen:

**1. ÜBERPRÜFEN SIE DEN INHALT DER VERPACKUNG:** \_\_\_\_\_

Im Inneren der Kiste befindet sich folgendes Zubehör:

- Netzgerät.
- Elektrolysezelle.
- Betriebshandbuch.

**2. ALLGEMEINE KENNZEICHEN:** \_\_\_\_\_

Nach der Montage Ihrer Salzelektrolyse-system ist es nötig, eine Menge Salz in Wasser aufzulösen. Dieses Salzwasser fließt durch die Elektrolysezelle, die sich in der Kläranlage befindet. Die Salzelektrolyse-Anlage besteht aus zwei Bestandteilen: die Elektrolysezelle und das Netzgerät . Die Elektrolysezelle enthält eine bestimmte Anzahl an Titanplatten (Elektroden), so dass, wenn man durch sie Elektrostrom fließen lässt und die Salzlösung durch sie fließt, freies Chlor erzeugt wird. Die Unterhaltung eines bestimmten Chlorstandes im Poolwasser garantiert seine sanitäre Qualität. Eine Salzelektrolysesystem stellt dann Chlor her, wenn das Strömungssystem des Pools (Pumpe und Filter) in Betrieb sind.

Das Netzgerät verfügt über verschiedene Alarmeinheiten, die sich bei einem anomalen Verhalten der Anlage in Gang setzen und über ein Produktionsüberwachungssystem das über einen Mikroprozessor gesteuert wird. Das Salzelektrolysesystem verfügt über ein automatisches Reinigungssystem, das Kalkablagerungen an den Elektroden vorbeugt.

### 3. SICHERHEITSHINWEISE UND EMPFEHLUNGEN: \_\_\_\_\_

- System muß von qualifiziertem Persona angebracht werden.
- Unfallverhütungsmaßnahmen sowie gültige Vorschriften für Elektroanlagen beachten.
- Der Hersteller haftet in keinem Fall für Montagen, Installationen oder Inbetriebnahmen oder für jegliche Handhabung oder den Einbau von Komponenten, die nicht im Werk des Herstellers erfolgten.
- Salzelektrolyse Systeme funktionieren mit 230 VAC / 50-60 Hz. Versuchen Sie niemals, den System umzubauen, damit er mit einer anderen Spannung funktioniert.
- Überprüfen Sie, ob alle Anschlüsse richtig sitzen, um Wackelkontakte und deren Überhitzung zu vermeiden.
- Vor dem Einbau oder Austausch eines Systembauteils darauf achten, dass es vorher von der Versorgungsspannung getrennt wurde. Nur Original Ersatzteile des Herstellers verwenden.
- Da das Gerät relativ viel Hitze erzeugt, muss es an einem gut durchlüfteten Ort installiert werden und die Belüftungsöffnungen dürfen durch keinerlei Objekte verschlossen werden.
- Die Salzelektrolysesysteme entsprechen dem Schutzgrad IP24. Sie dürfen niemals an Orten installiert werden, die überschwemmt werden können.

#### NETZGERÄT:

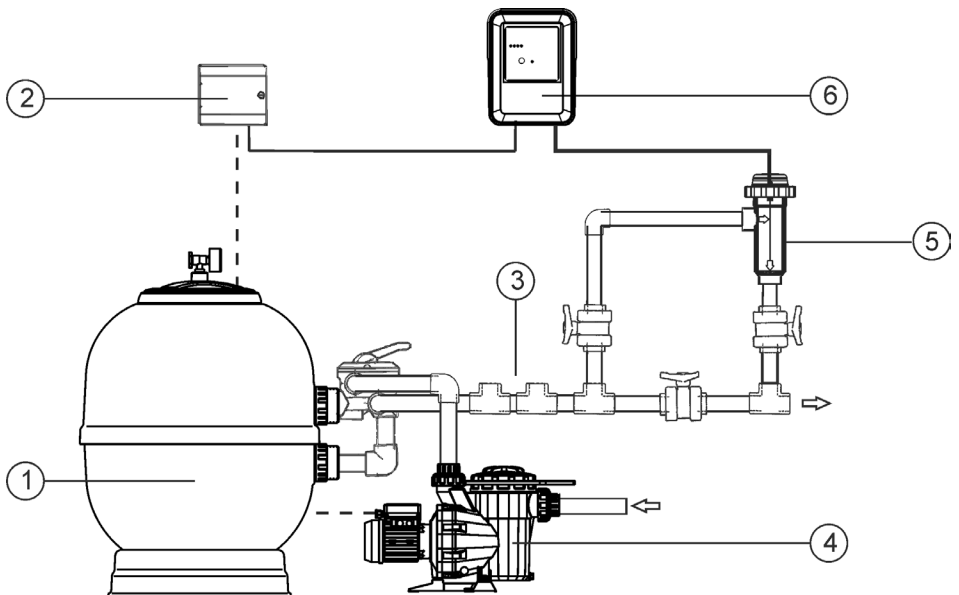
BESCHREIBUNG	MODELL	
	SCG60 (MOD.12)	SCG100 (MOD.21)
Standard-Gebrauchsspannung	230 V AC, 50 Hz./60 Hz.	
Ausgang (dc)	6 A x 2	3.5 A x 6
Erzeugung (g/h)	10 - 12	17 - 21
Schwimmbad Volumen (m <sup>3</sup> ) Warm: 16 - 24°C Heiß: +25°C	60 50	100 80
Flussdetektor	Gasdetektor	
Salzgehalt / Temperatur rank	5 ... 12 g./l. / +15 - 40°C	
Elektroden	Titan mit SELBSTREINIGENDER Beschichtung Geschätzte Lebenszeit: 8.000 - 10.000 Betriebstunden (abhängig von der Wasserart) <sup>(2)</sup>	
Erzeugungssteuerung	0 - 50 - 75 - 100 % (3 Erzeugungsniveaus)	
Polaritätswechsel	2 <sup>(1)</sup> / 3 Stunden programmierbar (Jumper auf der Platine)+ Testmodus	
Salzstufenschutz	Automatischer Produktionsschutz	

<sup>(1)</sup> Vom Werk programmierte Vorgabewerte

<sup>(2)</sup> Unter idealen Bedingungen: Salzgehalt (6 g/l), pH (7.2), Wasserhärte (120 mg/l) und Kleinste Durchflussmenge.

## ELEKTROLYSEZELLE

BESCHREIBUNG	MODELL	
	SCG60 (MOD.12)	SCG100 (MOD.21)
Kleinste Durchflussmenge	2 m <sup>3</sup> /h	3 m <sup>3</sup> /h
Elektrodenanzahl	5	7
Material	Polimer aus der Methacrylat-Familie	
Anschluss an die Rohrleitung	Verleimung mit Klebemittel für PVC-Rohr Ø 63 mm.	
Maximaler Höchstdruck	1 Kg./cm <sup>2</sup>	
Arbeitstemperatur	Unter 40°C	



- 1.- Filter.
- 2.- Schalttafel.
- 3.- Andere ausrüstungen (Wärmetauscher, UV, etc.).

- 4.- Pumpe.
- 5.- Elektrolysezelle.
- 6.- Netzgerät.

Abb.1 Empfohlenes Installation Diagramm.



## 4. MONTAGE:

### 1.1. Netzgerät

Das NETZGERÄT der Elektrolysesystem immer SENKRECHT und auf einer festen Oberfläche (Mauer) montieren, so wie es im Montageplan dargestellt ist (Abb. 1). Um einen optimalen Erhaltungszustand zu erreichen, empfiehlt es sich das Gerät an einer trockenen und gut durchlüfteten Stelle zu montieren. Das NETZGERÄT der Elektrolysesystem sollte nicht der Witterung ausgesetzt sein, denn es ist nicht Wasserdicht.

### Warnung



Vermeiden Sie insbe Sensorre die Bildung ätzender Korrosionsmedien wegen der PH-vermindernden Lösungen (genau gesagt, die Formeln mit „HCl“-Salzsäure). Das Elektrolysesystem nicht in der Nähe der Lagerungsorte dieser Produkte montieren. Wir empfehlen dringlichst die Benutzung von Produkten auf der Basis von Natriumhydrogensulfid oder aufgelöster Schwefelsäure. Der Anschluss des Netzgerätes an das Stromnetz muss im elektrischen Steuerkasten der Filteranlage erfolgen, so dass die Pumpe und das Elektrolysesystem gleichzeitig angeschlossen werden.

### 1.2. Elektrolysezelle

Die Elektrolysezelle besteht aus durchsichtigem Polymer und in ihrem Innern befinden sich die Elektroden. Die Elektrolysezelle sollte an einer trockenen, nicht der Witterung ausgesetzten Stelle, installiert werden und **immer nach dem Filtersystem angeschlossen werden**. Wenn noch andere Elemente zur Anlage gehören wie z. B. Wärepumpen, Steuerungssysteme, usw., sollten diese immer vor dem Elektrolysesystem angeschlossen werden.

Die Elektrolysezelle sollte an einer gut erreichbaren Stelle installiert werden, so dass der Benutzer die Elektroden gut erreichen kann. Am besten ist es, wenn die Elektrolysezelle auf der Rohrleitung montiert wird und mit zwei Ventilen vom Rest der Anlage getrennt werden kann; dies erleichtert die Wartungsarbeiten ohne dass dazu das Schwimmbad ganz oder teilweise geleert werden muss.

Falls die Zelle im by-pass montiert wird (empfohlene Option), muss ein Ventil zur Regulierung der Strömung installiert werden. Bevor Sie mit der entgültigen Montage des Systems beginnen, sollten Sie folgende Ratschläge beachten:

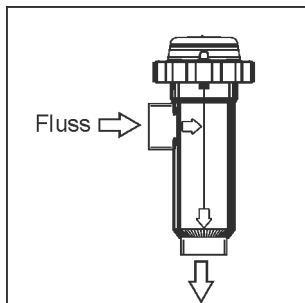


Abb. 2

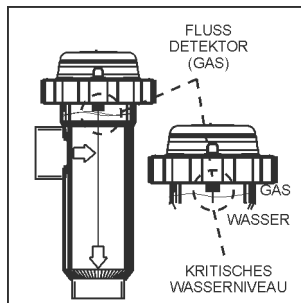


Abb. 3

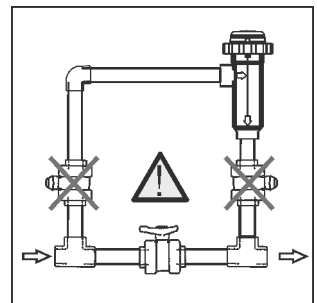


Abb. 4

1. Die in der Zelle angegebene Strömungsrichtung muss unbedingt beachtet werden. Die in der Tabelle „TECHNISCHE ANGABEN“ angegebene Mindestdurchflussmengen für die verschiedenen Modelle, müssen vom Umlaufsystem eingehalten werden (Siehe Absatz 8).

2. Das Flussdetektor wird aktiviert wenn kein Wasserumlauf (Strömung) in der Zelle registriert wird oder wenn dieser sehr gering ist. Wenn das Gas bei der Elektrolyse nicht abgelassen wird, entstehen eine Blase welche die Hilfselektrode elektrisch isoliert (elektronische Detektion). Daher, wenn die Elektroden in die Zelle eingeführt werden, sollte sich die Niveauelektrode (Hilfselektrode) im oberen Bereich der Zelle befinden. Am besten sollten Sie die Hilfselektrode so plazieren wie auf der Abbildung dargestellt ist. Um eine übermäßige Schwingung der Elektroden zu vermeiden, sollten diese im Inneren der Zelle parallel zur Wasserströmung gelegt werden.

3. **ACHTUNG:** wenn beide Ventile, Eingangs- und Ausgangsventil zur Rohrleitung, dort wo die Elektrolysezelle angeschlossen ist, gleichzeitig geschlossen werden funktioniert der Strömungs-Messer nicht richtig und kann sogar beschädigt werden. Obwohl dies eine ausgesprochen ungewöhnliche Situation darstellt, **kann sie vermieden werden, indem das Rückflussventil zum Schwimmbad nach dem Einbau des Geräts verriegelt wird.** Somit kann es nicht aus Versehen manipuliert werden.

Man kann sie auch an einer anderen Stelle montieren, aber nur dann, wenn eine geringe Strömung registriert werden kann.

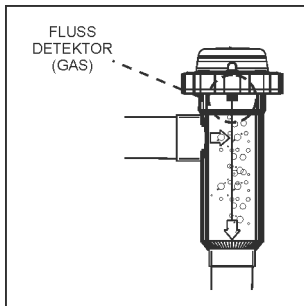


Abb. 5

**EMPFOHLENE Installation**

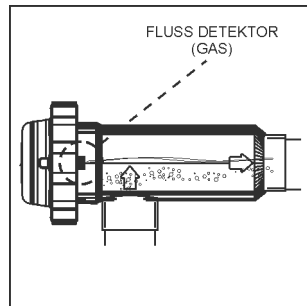


Abb. 6

**ERALUBTE Installation**

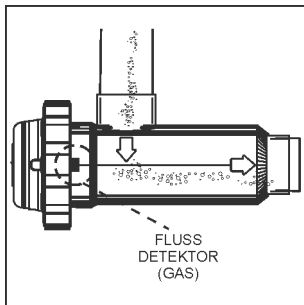


Abb. 7

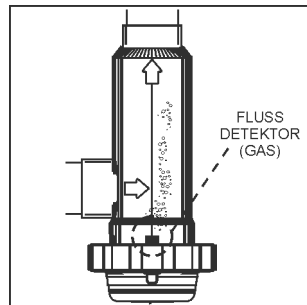
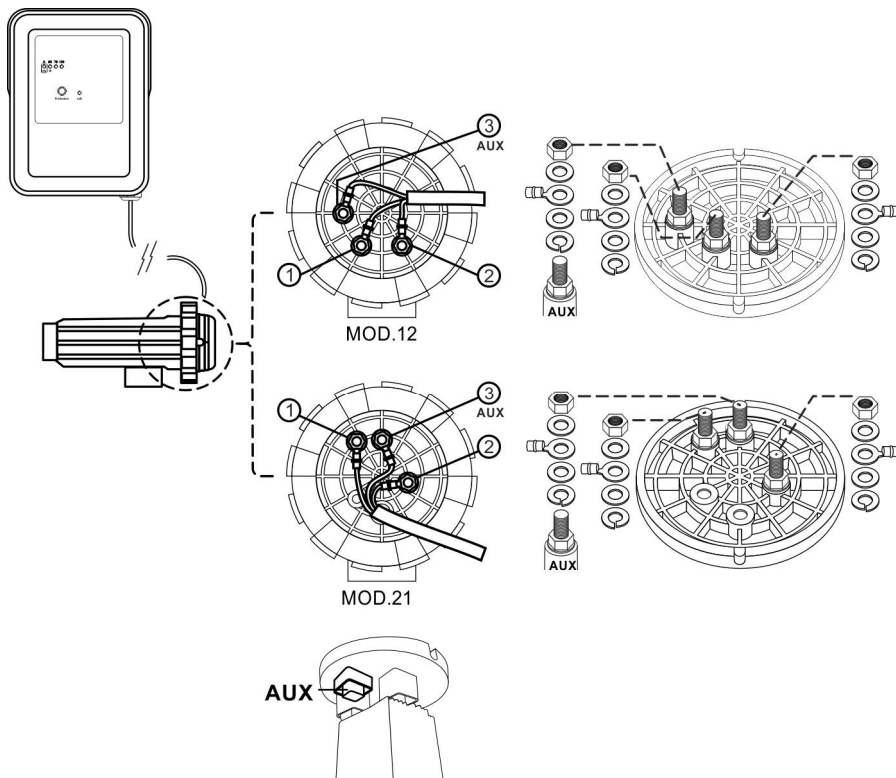


Abb. 8

**NICHT ERLAUBTE Installationen**

#### 4.1. Elektrische Anschlüsse der Elektrolysezelle

Zusammenschluss zwischen der Elektrolysezelle und dem Netzgerät so wie auf der Abbildung dargestellt ist durchführen. Wegen der relativ hohen Stromstärke, sollten die Stromkabel die mit der Elektrolysezelle verbunden sind, in keinem Fall gekürzt oder getrennt werden, ohne vorher den zugelassenen Fachhändler zu befragen. Das Anschlusskabel zwischen Zelle und Netzgerät muss die in diesem Handbuch angegebene Dicke einhalten: **MOD.12 (6 A), 8 m.;** **MOD.21 (3.5 A), 30 m.**

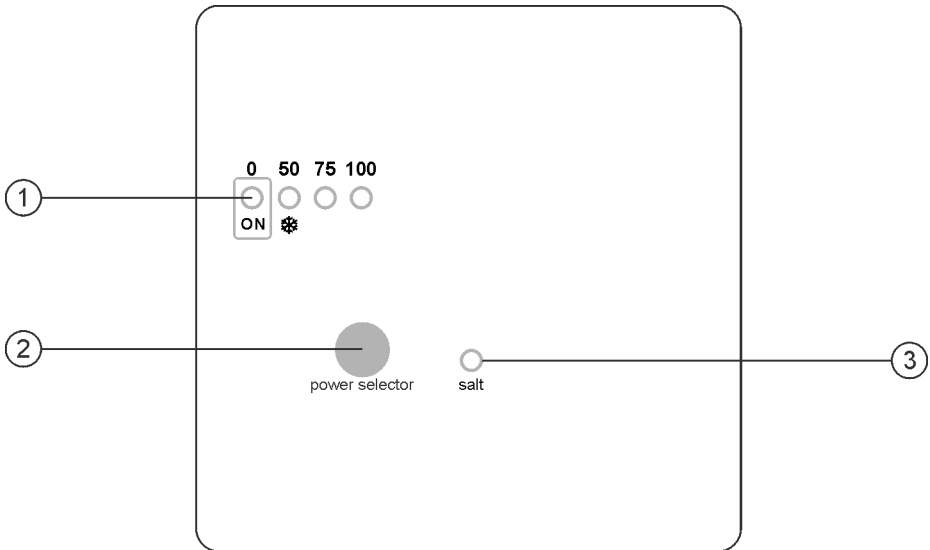


- 1.- Elektrode 1 (Rot).
- 2.- Elektrode 2 (Rot).
- 3.- Flussdetektor (Gelb).

Abb.9

#### 4.2. Steuerungen und Anzeigeluchten

Die Salzelektrolysesysteme sind mit einer auf der Vorderseite befindlichen Steuertafel ausgestattet (Abb. 10).



1.- Produktionsskala (%)

Escala	Produktion	Bereich
	Bereitschaft	
	0 %	0 ... 5%
	25 %	5 ... 35%
	50 %	35 ... 55%
	75 %	55 ... 80%
	100 %	80 ... 100%

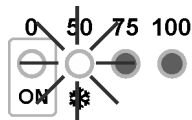
- 2.- Taste **Auswahl des Niveaus der Produktion.**
- 3.- ALARM für SALZGEHALT (hoher/niedriger).

Abb. 10. Steuertafel modelle MOD. XX.

### 4.3. Programmierung und Steuerung

Außer den grundlegenden Operationen verfügt das Salzelektrolysesystem über einen externen Steuereingang über einen Controller für ORP-, Restchlor, usw., und über einen Eingang für die Einstellung der Geräteproduktion, wenn die automatische Abdeckung des Schwimmbads aktiviert wird. Außerdem ermöglicht er die Konfiguration der drei SELBSTREINIGUNGS-Modi der Elektroden: TEST, 2/2, 3/3 Stunden.

- **ELEKTRODENSELBSTREINIGUNGSSYSTEM:** Die Umkehrfrequenz kann mit dem auf der Systemsteuerplatte befindlichen „JP1“-Jumper gewählt werden (Abb. 11). Diese Konfiguration tritt in Kraft, wenn man das Gerät aus- und wieder einschaltet.
- **Steuerung bei Nutzung einer AUTOMATISCHEN ABDECKUNG:** das System verfügt über einen spannungsfreien Kontakt. Schließt sich der an diesem Eingang angeschlossene Kontakt (automatische Abdeckung GESCHLOSSEN), senkt das Elektrolysesystem seine Produktion auf **10 %** des Nennwerts(an der Produktionsskala leuchtet die LED „50 %“ auf).



- **EXTERNE Steuerung:** das System verfügt über einen zusätzlichen Hilfeingang für einen spannungsfreien Kontakt. Dieser Eingang kann verwendet werden, damit das Elektrolysesystem mit einem externen Controller (ORP, RESTCHLOR, FOTOMETER, usw.) geschaltet werden kann. Ist der an diesen Eingang angeschlossene Kontakt GEÖFFNET, stoppt das Elektrolysesystem. Um diesen Eingang einzuschalten, muss der auf der Steuerplatte des Geräts befindliche „JP2“-Jumper gewählt werden. Diese Konfiguration tritt in Kraft, wenn man das Gerät aus- und wieder einschaltet.

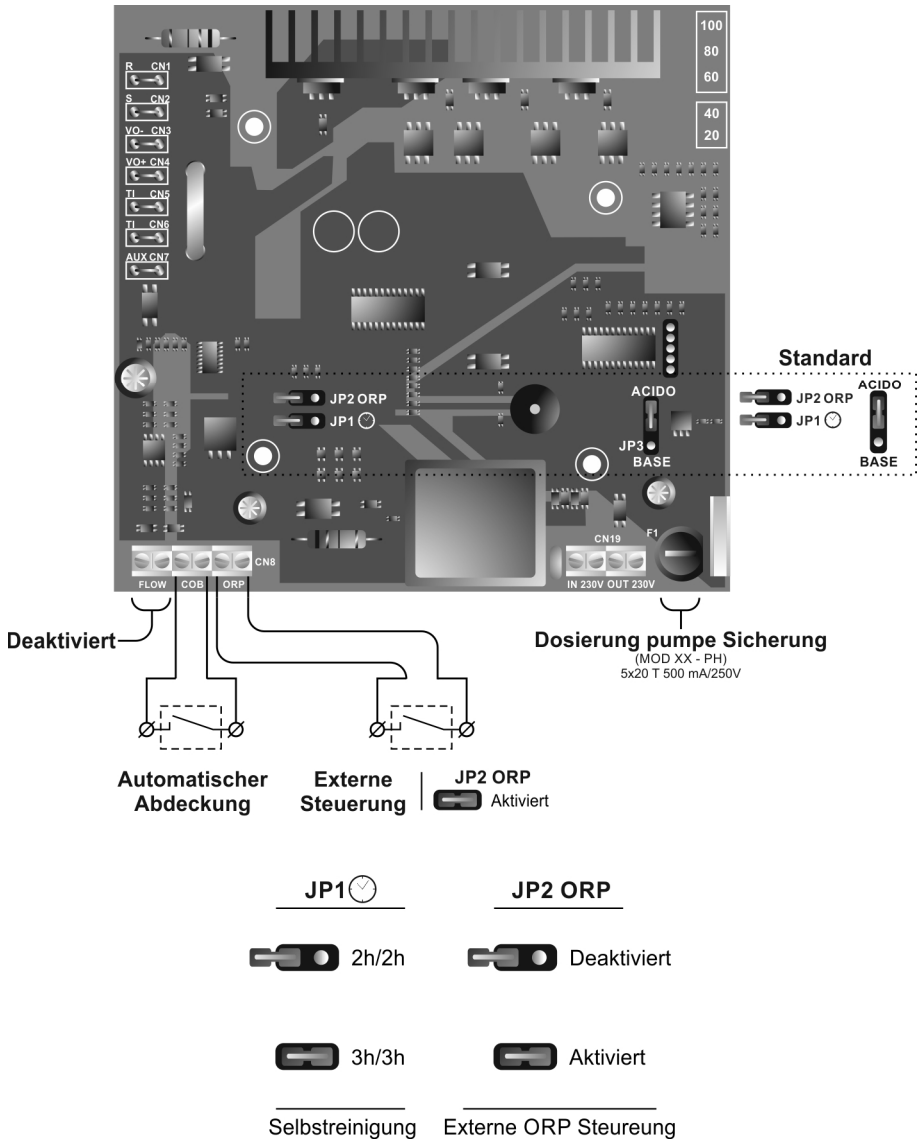


Abb. 11

#### 4.4. Inbetriebnahme

1. Vergewissern Sie sich, dass der Filter 100% sauber ist und dass im Pool und in der Anlage kein Kupfer, Eisen oder Algen vorhanden sind, wie auch dass jede eingerichtete Heizanlage mit der Anwesenheit von Salz in Wasser kompatibel ist.

2. Schwimmbadwasser ausgleichen. So wird die Wasserpflege wirkungsvoller mit einem kleinerem Gehalt an freiem Chlor im Wasser, dies erhöht auch die Lebensdauer der Elektroden und vermindert die Kalkablagerungen im Pool.

a) Der pH-Wert muss zwischen 7.2 und 7.6 liegen.

b) Die Gesamthärtewerte sollten bei 60-120 ppm liegen.

3. Obwohl das Salzelektrolysesystem bei einem Salzgehalt von 5 - 12 g/l arbeiten kann, sollte der empfohlene Mindestsalzgehalt von 6 g/l durch Beigabe von 6 kg pro m<sup>3</sup> Wasser eingehalten werden, wenn das Wasser vorher kein Salz enthalten hat. Verwenden Sie immer nur gewöhnliches Salz (Natriumchlorid), ohne Zusatzstoffe wie Jodverbindungen oder Pudermitel, das zum menschlichen Verbrauch geeignet. Direkt in den Pool oder in das Ausgleichsgefäß geben (weit von den Pool Abfluß).

4. Wenn Sie das Salz hinzugegeben haben und den Pool gleich nutzen wollen, muss eine Chlorbehandlung vorgenommen werden. Als Anfangsdosierung können 2 g./m<sup>3</sup> Trichlorisocyanursäure hinzugefügt werden.

5. Bevor Sie den Arbeitszyklus in Gang setzen, ist es ratsam das Netzgerät auszuschalten und die Pumpe der Filteranlage während 24 Stunden lang laufen zu lassen, so dass das Salz sich vollständig auflösen kann. In dieser Zeit sollte die Wasserabsaugung nur durch die Senke erfolgen, denn dies beschleunigt die Salzauflösung.

6. Darauf die Salzelektrolyse-Anlage in Gang setzen und die Leistungsstufe so einstellen, dass die Werte des freien Chlors sich im empfohlenen Rahmen halten (0.5 - 1.5 ppm).

HINWEIS: Um den Stand des freien Chlors feststellen zu können ist ein Analysenkit zu verwenden.

7. Bei Schwimmbädern mit einer hohen Sonnenbestrahlung oder mit einer intensiven Nutzung, sollten die Stabilisierungsmittel-Werte (Isocyanursäure) bei 25-30 g./m<sup>3</sup> gehalten werden. Auf keinen Fall ist ein Stand von 75 g./m<sup>3</sup> zu überschreiten. Dies ist sehr hilfreich um die Vernichtung des freien Chlors im Wasser, anwesend durch die Einwirkung des Sonnenlichtes, zu vermeiden.

## 5. BEDIENUNG:



### 5.1. Gestopptes System

Das System schaltet auf „WARTEZUSTAND“, wenn die **“POWER SELECTOR” [2]** Taste so oft gedrückt wird, bis die **„0 %“** LED blinkt. In dieser Situation erfolgt keine Produktion in der Elektrolysezelle.

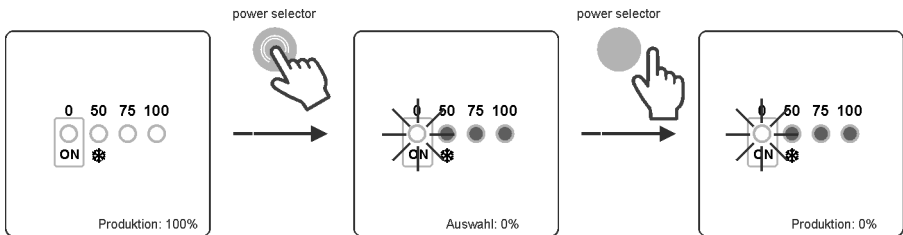


Abb. 12

### 5.2. Auswahl Produktionsstufe

Um die gewünschte Produktionsstufe zu wählen, nacheinander die Tasten **„POWER SELECTOR“ [2]** drücken, bis die Led für die gewünschte Produktionsstufe blinkt. Nach einigen Sekunden setzt das System seine Produktion auf die gewählte Stufe.

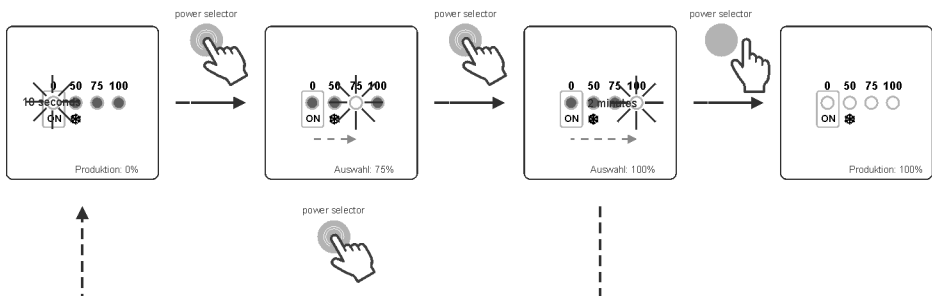


Abb. 13

Der programmierte Einstellpunkt der Produktion lässt sich jederzeit abrufen: Drücken Sie einmal die Taste **“POWER SELECTOR” [2]**. Die LED zeigt die Produktionsstärke an und blinkt für einige Sekunden. Nach dieser Zeit kehrt sie zu der der normalen Anzeige zurück und zeigt die Produktionsstärke an.



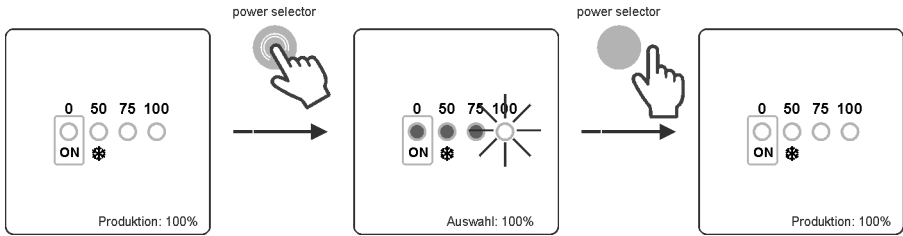


Abb. 14



**WINTER-Modus:** während der Zeiträume mit niedriger Wassertemperatur ein Produktionsniveau [1] zwischen 50% auserwählt. Diese Weise den Stromverbrauch und die Lebensdauer des Pakets von Elektroden optimiert sind.

### 5.3. TEST - Modus

Um den Salzttest durchzuführen , drücken sie die Produktionsstärke mit der „**POWER SELECTOR**“ [2] taste solange nach unten bis „0%“ angezeigt wird. (Abb. 15).

Nachdem das System stillsteht, diese Taste 10-Sekunden lang drücken. as System zeigt an, dass es sich im TEST-MODUS befindet, da alle LEDs eine Sekunde lang leuchten.

Danach drücken sie mit der „**POWER SELECTOR**“ [2] taste nach oben bis die von ihnen gewünschte Produktionsstärke erreicht ist.

Wenn sich die Anlage im Testmodus befindet laufen die die Produktions LED´s auf und ab um den Salzwert zu ermittel, nach einigen Sekunden bleibt die Anzeige bei einer LED stehen und zeigt den Salzwert an.

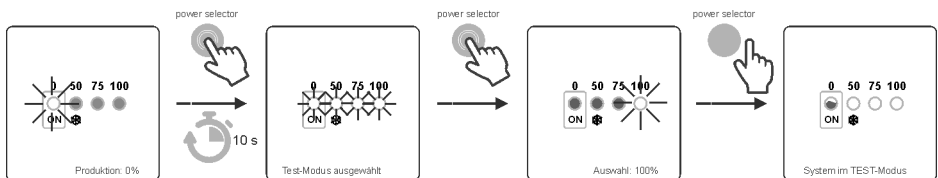


Abb. 15

Wenn das System in den TEST-MODUS übergeht, setzt es den Programmierschalter für Polaritätswechsel und die gewählte Produktionsstufe auf Null. In diesem Modus ist das System komplett betriebsfähig, während die Polaritätsumkehrungen der Elektroden **alle 2 Minuten** erfolgt. Um den TEST-MODUS zu beenden, muss die 230 V Netzversorgung ausgeschaltet werden.

#### 4.4. Alarmmeldungen

- **HOHER SALZWERT**

Wurde zu viel Salz zugegeben, senkt die Versorgungsquelle automatisch die Produktion im Vergleich zum automatisch gewählten Wert. Die LED „SALT“ [3] leuchtet weiter. In diesem Fall muss ein Teil des Schwimmbads (zum Beispiel 10 %) geleert und frisches Wasser hinzugefügt werden, um die Salzkonzentration zu senken. Um den Salzgehalt genau zu festzustellen, wird der Einsatz eines tragbaren Salzgehalt- /Temperaturmessgeräts empfohlen.

- **NIEDRIGER SALZWERT**

Sollte der Salzgehalt des Schwimmbadwassers unter dem empfohlenen Wert liegen, kann die Versorgungsquelle den gewählten Ausgangswert nicht erreichen. Die LED „SALT“ [3] blinkt. In diesem Fall muss der Salzgehalt des Wassers festgestellt und die notwendige Salzmenge zugesetzt werden. Das für die Salzelektrolyse geeignete Speisesalz (NaCl) darf keine Zusatzstoffe (gegen Verklumpung, Jodid) enthalten und muss für den menschlichen Verzehr geeignet sein. Möglicherweise zeigt das System niedrige Salzwerte an, wenn die Temperatur unter 20 °C liegt oder die Ende der Lebensdauer der Elektroden erreicht wurde. Um den Salzgehalt genau zu festzustellen, wird der Einsatz eines tragbaren Salzgehalt- /Temperaturmessgeräts empfohlen.

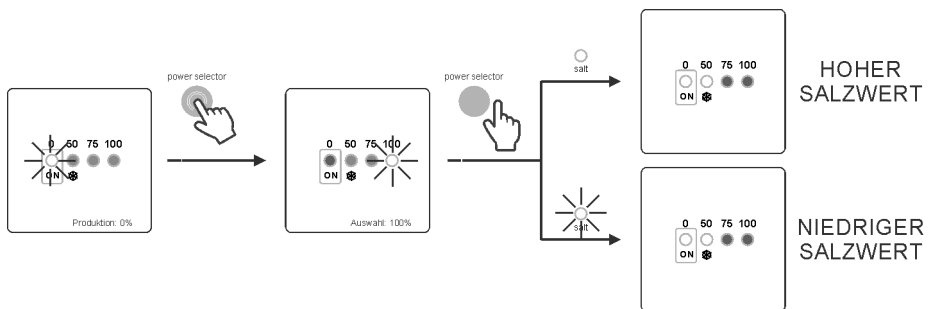
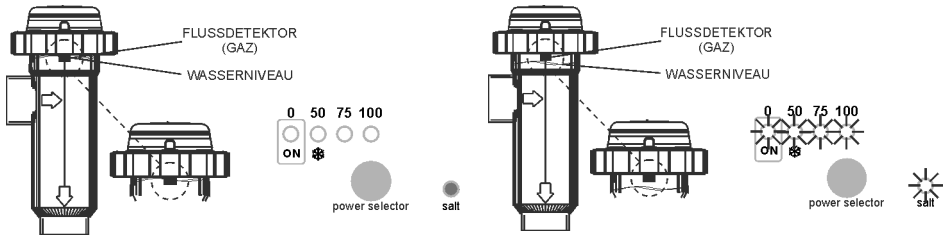


Abb. 16

- **WASSERSTAND IN DER ZELLE / FLUSSDETEKTOR (GAS)**

Sollte sich eine Luft- oder Gasblase im oberen Teil der Elektrolysezelle bilden und der FLUSSDETEKTOR nicht eingetaucht sein, schaltet das System automatisch die Produktion ab. Alle LEDs des Steuertafel blinkt. Sobald der Wasserstrom durch die Zelle wieder hergestellt oder die Luftblase entwichen ist, startet das System automatisch neu.



1. Gasdetektor eingetaucht. System in Betrieb.      2. Gas entdeckt. System gestoppt.

Abb. 17

- **EXTERNE STEUERUNG [JP2] AKTIVIERT**

Wenn das externe Steuergerät einen Wert feststellt, der über dem gewählten Einstellungspunkt liegt, schaltet es die Produktion automatisch ab und die LED „0%“ an der Produktionskala [1] beginnt zu blinken.

## 6. WARTUNG: \_\_\_\_\_

### 6.1. Wartung der Elektrolysezelle

Die Elektrolysezelle muss in optimalen Zustand gehalten werden um eine lange Betriebsdauer zu garantieren. Die Salzelektrolyse-Anlage verfügt über ein Selbstreinigungssystem der Elektroden. So können Kalkablagerungen vermieden werden und die Elektroden müssen auch nicht gereinigt werden. Wenn es aber doch notwendig sein sollte, das Innere der Zelle zu reinigen, müssen folgende Schritte beachtet werden:

1. Stromversorgung 230 Vac der Anlage ausschalten.
2. Verschlusschraube am Ende, an dem sich die Elektroden befinden, lösen und Elektrodenpaket herausnehmen.
3. Eine in Salzsäure aufgelöste Lösung (ein Anteil Säure und 10 Anteil Wasser) verwenden und das Elektrodenpaket während 10 Minuten lang in diese Lösung tauchen.
4. DIE ZELLE UND DIE ELEKTRODEN NIEMALS AUFKRATZEN ODER BÜRSTEN.

Die Elektroden einer Salzelektrolyse-Anlage bestehen aus Titanplättchen mit einer Beschichtung aus Edelmetalloxiden. Der Elektrolyseprozess, der auf der Oberfläche der Elektroden stattfindet, bewirkt auf die Dauer einen Verschleiß, daher sollte man folgende Hinweise beachten, wenn man die Lebensdauer der Elektroden aufs möglichste verlängern will:

1. Obwohl die Salzelektrolyse-Anlage ein SELBSTREINIGENDES System ist, bei einem langandauernden Betrieb mit pH-Werten über 7,6 bei sehr hartem Wasser können Kalkablagerungen auf den Elektroden vorkommen. Wenn diese nicht entfernt werden, beschädigen sie die Beschichtung der Elektroden auf die Dauer und verkürzen somit die Lebensdauer.
2. Das Elektrodenpaket sollte nicht zu oft gereinigt werden, nach den oben angegebenen Anleitungen.
3. Wenn die Anlage während langer Zeit mit einem niedrigen Salzgehalt (3 g/l) in Betrieb ist, kann dies zu einer frühzeitigen Abnutzung der Elektroden führen.
4. Wenn häufig Algicide mit hohen Kupfergehalten verwendet werden, kann es sein, dass sich das Kupfer auf den Elektroden ablagert und so auf die Dauer deren Beschichtung schädigt. Das beste Algicid ist das Chlor.

**7. STÖRUNGEN / BEHEBUNG:** \_\_\_\_\_

Bei jedem Eingriff zur Behebung einer Störung muss das Gerät vom Stromnetz getrennt werden. Zur Behebung jeglicher Störung, die in der folgenden Auflistung nicht enthalten ist, sollte ein Servicetechniker inzuzogogen werden.

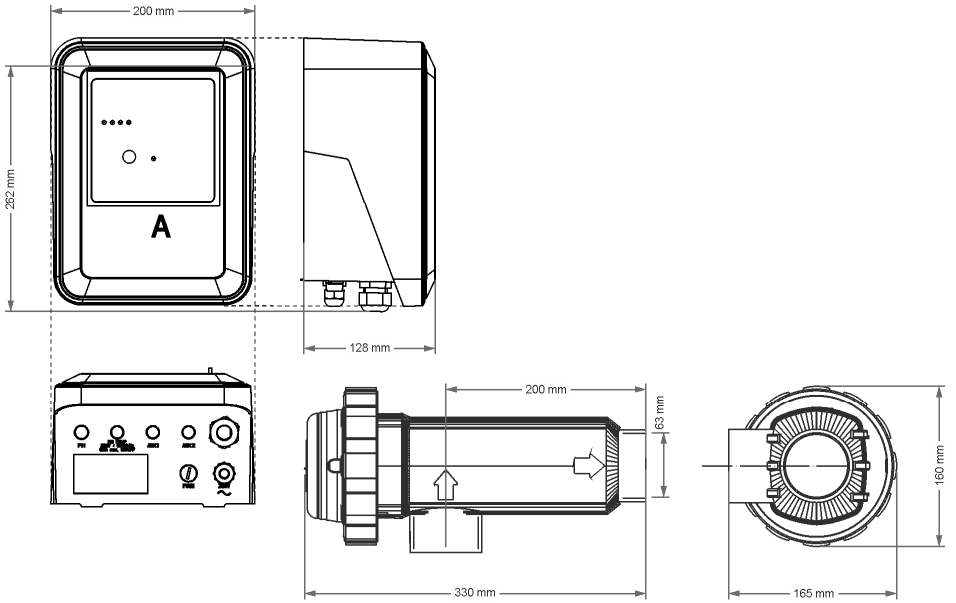
STÖRUNG	BEHEBUNG
<p><b>Der Produktionsanzeiger zeigt in allen gewählten Produktionsstufen immer „0“ an</b></p>	<p>Elektrodenzustand überprüfen.</p> <p>Elektrische Anschlüsse zwischen dem Netzgerät und der Elektrolysezelle überprüfen.</p> <p>Den Salzgrad prüfen.</p>
<p><b>Das Netzgerät schaltet sich nicht ein</b></p>	<p>Überprüfen, ob die Anlage genügend Stromzuführung hat (230 V / 50-60 Hz) über den Steuerkasten der Filteranlage.</p> <p>Sicherung am unteren Teil des Netzgerätes überprüfen.</p>
<p><b>Der Chlorspiegel im Wasser liegt zu tief</b></p>	<p>Überprüfen, ob das System im Rücklauf des Schwimmbads Chlor erzeugt.</p> <p>Überprüfen, ob die chemischen Parameter (pH, gebundenes Chlor, Isocyanursäure) korrekt sind.</p> <p>Filteranlage länger laufen lassen.</p> <p>Stabilisierungsmittel dazugeben (Isocyanursäure o) bis ein Gehalt von 25-30 g./m<sup>3</sup> erreicht wird.</p>

## 8. TECHNISCHE ANGABEN:

TECHNISCHE DATEN:	
<b>Gebrauchsspannung</b> 230V AC - 50/60 Hz. Kabel: MOD. 12 MOD. 21	3x1.0 mm <sup>2</sup> , 2 m. 0.4 A 0.4 A
<b>Sicherung</b> MOD. 12 MOD. 21	2 AT (5x20 mm) 2 AT (5x20 mm)
<b>Ausgangsspannung</b> Kabel MOD. 12 MOD. 21	3x2.5 mm <sup>2</sup> , 2 m. 10.5 VDC / 6.0 A 23.0 VDC / 3.5 A
<b>Erzeugung</b> MOD. 12 MOD. 21	10 ... 12 g/h 17 ... 21 g/h
<b>Kleinste Durchflussmenge</b> MOD. 12 MOD. 21	2 m <sup>3</sup> /h 3 m <sup>3</sup> /h
<b>Elektrodenanzahl</b> MOD. 12 MOD. 21	5 7
<b>Nettogewicht (einschließlich Verpackung)</b> MOD. 12 MOD. 21	6.5 Kg. 8.5 Kg.

ALLGEMEINE KENNZEICHEN:
<b>Steuerungssystem</b> <ul style="list-style-type: none"> <li>• Mikroprozessor.</li> <li>• Membrantastatur mit Steuertasten und Betriebsanzeige-LEDs.</li> <li>• Steuerein-/ausgang: 2 Eingänge vom Typ spannungsfreier Kontakt, für den Zustand der automatischen Abdeckung und externer Controller (ORP, RESTCHLOR, usw.)</li> <li>• Ausgang zur Zelle: Produktionskontrolle (5 diskrete Stufen)).</li> <li>• Salzgehalt/Temp. rank: 5 - 12 g/l. / +15 - 40°C.</li> </ul>
<b>Selbstreinigung</b> Automatisch, durch Polumkehrung
<b>Arbeitstemperatur</b> Von 0°C bis + 50°C Kühlung, über natürliche Konvektion
<b>Material</b> <ul style="list-style-type: none"> <li>• Netzgerät</li> <li>• ABS</li> <li>• Electrolysezelle</li> <li>• Durchsichtig Methacrylat</li> </ul>

# Abmessungen



## 9. GARANTIEBEDINGUNGEN: \_\_\_\_\_

### 8.1. ALLGEMEINE VORGABEN

- 8.1.1. Gemäß dieser Vorgaben garantiert der Verkäufer, dass das zu dieser Garantie gehörende Produkt zum Zeitpunkt der Übergabe keinen Konformitätsmangel aufweist.
- 8.1.2. Der Garantiezeitraum beläuft sich auf zwei Jahre.
- 8.1.3. Die Gesamtgarantiedauer wird vom Zeitpunkt der Übergabe an den Käufer berechnet. Die Elektrode ist mit einer unverlängerbaren Garantie von 2 JAHRE (oder 3.000 Stunden) gedeckt. Die pH-Sensor sind mit einer unverlängerbaren Garantie von 6 MONATEN gedeckt.
- 8.1.4. Sollte während des Garantiezeitraums ein Konformitätsmangel am Produkt eintreten und der Käufer diesen dem Verkäufer mitteilen, muss der Verkäufer das Produkt auf eigene Kosten an dem von ihm erachteten Ort reparieren oder ersetzen - außer wenn dies unmöglich oder unverhältnismäßig wäre.
- 8.1.5. Kann das Produkt nicht repariert oder ersetzt werden, kann der Käufer eine anteilmäßige Preissenkung anfordern. Ist der Konformitätsfehler jedoch relevant genug, kann er die Auflösung des Kaufvertrags fordern.
- 8.1.6. Die laut dieser Garantie ersetzten oder reparierten Teile verlängern die Garantiefrist des Originalprodukts nicht, haben aber ihre eigene Garantie.
- 8.1.7. Für die Wirksamkeit dieser Garantie muss der Käufer das Kauf- und Lieferdatum des Produkts nachweisen.
- 8.1.8. Sind seit Produktübergabe an den Käufer mehr als sechs Monate vergangen und zeigt dieser einen Konformitätsmangel an, muss der Käufer den Ursprung und das Vorhandensein des angeführten Fehlers nachweisen.
- 8.1.9. Das vorliegende Garantiezertifikat beschränkt oder bedingt die Ansprüche, die den Kunden aufgrund zwingender nationaler Vorschriften zustehen, nicht.

### 8.2. SENSORBEDINGUNGEN

- 8.2.1. Für die Wirksamkeit dieser Garantie muss der Käufer die Herstelleranweisungen, die in den Begleitunterlagen des Produkts enthalten und laut Produktserie und -modelle anwendbar sind, genau einhalten.
- 8.2.2. Wird ein Zeitplan für Ersatz, Wartung oder Reinigung bestimmter Teile oder Bauteile des Produkts spezifiziert, ist die Garantie nur gültig, wenn dieser Zeitplan ordnungsgemäß eingehalten wurde.

### 8.3. EINSCHRÄNKUNGEN

- 8.3.1. Die vorliegende Garantie ist nur bei Verkäufen an Verbraucher anwendbar, wenn unter „Verbraucher“ die Person gemeint ist, die das Produkt nicht für berufliche Zwecke erworben hat.
- 8.3.2. Für den normalen Verschleiß durch den Produkteinsatz, wie auch für Teile, Bauteile u. /o. Verbrauchsmaterial (ausgenommen: die Elektrode) wird keine Garantie erteilt.
- 8.3.3. Die Garantie deckt keine Fälle, bei denen das Produkt: (i) fehlerhaft eingesetzt; (ii) von nicht zulässigen Personen untersucht, repariert, gewartet oder manipuliert; (iii) mit Nichtoriginalteilen repariert oder gewartet oder (iv) fehlerhaft eingebaut oder in Betrieb genommen wurde.



- 8.3.4. Ist der Konformitätsmangel des Produkts eine Folge fehlerhaften Einbaus oder Inbetriebnahme, findet die vorliegende Garantie nur Anwendung, wenn diese Anlage oder Inbetriebnahme im Kaufvertrag des Produkts enthalten ist oder vom Verkäufer oder unter dessen Zuständigkeit durchgeführt wurde.
- 8.3.5. Bei Schäden oder Produktfehlern, die durch eine der folgenden Ursachen bedingt sind:
- Betrieb bei Salzgehalten unter 3 g/l Natriumchlorid und/oder Wassertemperaturen unter 15°C oder über 40°C.
  - Betrieb bei über 7,6 pH.
  - Verwendung ausdrücklich unzulässiger Chemikalien.
  - Korrosiven Umgebungen u. / o. Umgebungstemperaturen unter 0°C oder über 50°C.

**10. EG-KONFORMITÄTSERKLÄRUNG:** \_\_\_\_\_

Diese Salzelektrolyse Systeme sind zertifiziert für den Schwimmbad-Endverbraucher.

Zertifizierte Produkte:

**SCG60 (MOD.12), SCG100 (MOD.21)**

Die oben aufgeführten Produkte sind konform mit:

- Richtlinie für Niederspannungsanlagen (LVD) 2014/35/UE.
- Richtlinie zur elektromagnetischen Kompatibilität (EMC) 2014/30/UE.
- Richtlinie ROHS 2011/65/EC

I.D. ELECTROQUIMICA, S.L.  
Pol. Ind. Atalayas, c./ Dracma R-19  
E-03114 Alicante  
Spanien



Gaspar Sánchez  
Geschäftsführer

Datum: 01/02/2017

**IMPORTANTE:** Il manuale d'istruzioni in suo possesso contiene informazioni fondamentali sulle misure di sicurezza da adottare per l'installazione e la messa in servizio. Per ciò è imprescindibile che sia l'installatore che l'utente leggano le istruzioni prima di iniziare il montaggio e la messa in servizio. Conservi questo manuale per poterlo consultare in futuro in merito al funzionamento di questo apparecchio



### Eliminazione di rifiuti di apparecchiature domestiche elettriche ed elettroniche nell'Unione Europea

Tutti i prodotti marchiati con questo simbolo non si possono eliminare insieme ai rifiuti domestici una volta ultimato l'utilizzo. E' responsabilità dell'utilizzatore eliminare questo tipo di rifiuti in un punto di raccolta per lo smaltimento selettivo di rifiuti elettrici ed elettronici. Il trattamento ed il riciclo corretti di questi rifiuti contribuiscono in forma essenziale alla conservazione dell'ambiente e alla salute delle persone. Per ottenere un'informazione più precisa sui punti di raccolta contatti l'amministrazione locale.

Le istruzioni contenute in questo manuale descrivono il funzionamento e la manutenzione dei Sistemi per l'Elettrolisi del Sale. Per ottenere il massimo rendimento dei Sistemi per l'Elettrolisi del Sale è opportuno rispettare le istruzioni di seguito riportate:

## 1. VERIFICARE IL CONTENUTO DELL'IMBALLAGGIO: \_\_\_\_\_

En el interior de la caja encontrará los siguientes accesorios:

- Alimentatore.
- Cellula elettrolitica.
- Manuale d'istruzioni.

## 2. CARACTERISTICAS GENERALES: \_\_\_\_\_

Una volta installato il Sistema per l'Elettrolisi del Sale è necessario dissolvere una quantità di sale nell'acqua. Quest'acqua salina circola attraverso la cellula elettrolitica. Il Sistema per l'Elettrolisi del Sale è composto da due elementi: una cellula elettrolitica ed un alimentatore. La cellula elettrolitica contiene un numero determinato di placche di titanio (elettrodi), in modo che quando si fa circolare all'interno una corrente elettrica e la soluzione salina, si forma cloro libero. Il mantenimento d'un certo livello di cloro nell'acqua della piscina, garantirà la sua qualità sanitaria. Un Sistema per l'Elettrolisi del Sale produce cloro quando il sistema di ricircolo della piscina (pompa e filtro) sono operativi.

L'Alimentatore dispone, oltre ad un microregolatore, di vari dispositivi di sicurezza che si attivano in caso d'un funzionamento anomalo del sistema. Il Sistema per l'Elettrolisi del Sale dispongono d'un sistema di pulizia automatica degli elettrodi che evita la formazione di incrostazioni negli stessi.

### 3. AVVERTENZE DI SICUREZZA E RACCOMANDAZIONI: \_\_\_\_\_

- Il montaggio o la manutenzione devono essere effettuati da personale qualificato.
- Devono essere rispettate le norme di legge vigenti elettriche e per la prevenzione di incidenti.
- Il fabbricante non è responsabile in nessun caso del montaggio, installazione o messa in marcia non realizzate in conformità al presente manuale né di qualunque altra manipolazione o montaggio di componenti che non siano installati in fabbrica.
- I Sistemi per l'Elettrolisi del Sale funzionano a 230 VAC, 50/60 Hz. Non cercare di alterare il sistema per farlo funzionare con un altro voltaggio.
- Assicurarsi di realizzare connessioni stabili onde evitare falsi contatti, con il conseguente surriscaldamento delle stesse.
- Prima di procedere all'impianto o alla sostituzione d'un componente, staccare l'apparecchio dalla rete elettrica, ed utilizzare esclusivamente pezzi di ricambio forniti dal fabbricante.
- Poiché il sistema genera calore, è importante installarlo in un luogo ben ventilato e cercare di mantenere gli spazi per la ventilazione liberi da qualsiasi elemento che li possa ostruire. Cercare di non installarlo vicino a materiali infiammabili.
- I Sistemi per l'Elettrolisi del Sale dispongono d'un grado di protezione IP24. In nessun caso devono essere installati in zone esposte a rischio d'inondazione.

#### ALIMENTATORE:

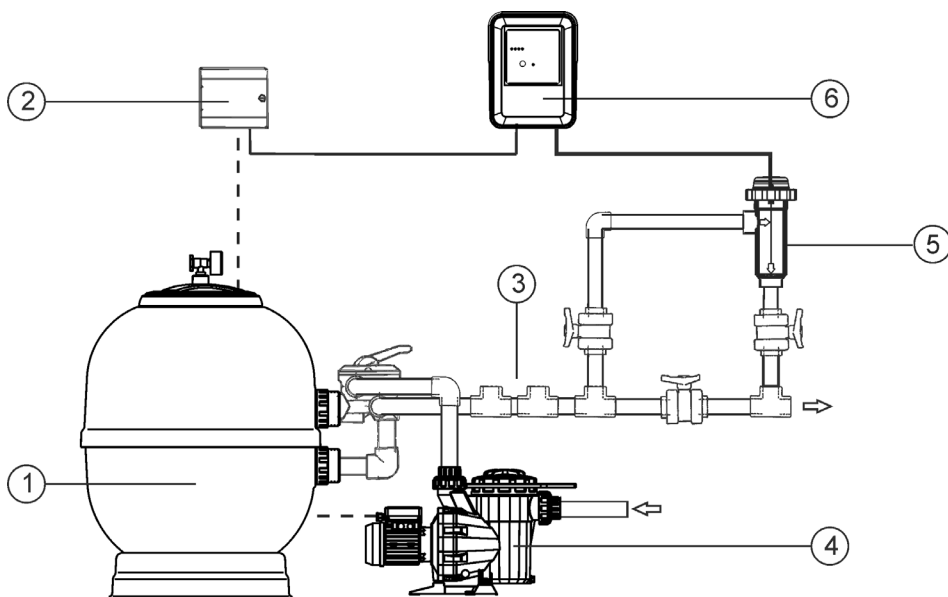
DESCRIZIONE	MODELLO	
	SCG60 (MOD.12)	SCG100 (MOD. 21)
Tensione di alimentazione	230 V AC, 50 Hz./60 Hz.	
Uscita (dc)	6 A x 2	3.5 A x 6
Producción (g/h)	10 - 12	17 - 21
Volume piscina (m <sup>3</sup> ) Temperato: 16 - 24°C Caldo: +25°C	60 50	100 80
Rivelatore di flusso	Rivelatore di gas	
Rango di salinità / Temperatura	5 ... 12 g./l. / +15 ... 40°C	
Elettrodi	Titanio con rivestimento AUTO-PULENTE, calidad TECH. Tempo di vita previsto: 8.000 - 10.000 ore (secondo la qualità di l'acqua) <sup>(2)</sup>	
Controllo di produzione	0 - 50 - 75 - 100 % ( 3 livelli di produzione)	
Inversione di polarità	Programabile 2 <sup>(1)</sup> / 3 ore (jumper in carta di controllo) + modo test	
Protezione del livello di sale	Protezione automatica di produzione	

<sup>(1)</sup> Predefinite in fabbrica

<sup>(2)</sup> In condizioni ideali: salinità (6 g / l), pH (7,2), durezza dell'acqua (120 mg / l) e portata minima.

## CELLULA ELETTROLITICA

DESCRIZIONE	MODELLO	
	SCG60 (MOD.12)	SCG100 (MOD. 21)
Flusso minimo d'acqua	2 m <sup>3</sup> /h	3 m <sup>3</sup> /h
Numero di elettrodi	5	7
Materiale	Derivato metacrilato	
Connessione	Con adesivo per tubo PVC Ø 63 mm.	
Pressione max. raccomandata	1 Kg./cm <sup>2</sup>	
Temperatura d'operazione	Meno di 40°C	



- 1.- Filtro.
- 2.- Pannello di controllo.
- 3.- Altri attrezzature (Scambiatore di calore, UV, etc.).

- 4.- Pompa.
- 5.- Cellula di elettrolisi.
- 6.- Alimentatore.

Fig.1 Schema di installazione raccomandata (modelli MOD. XX).

## 4. INSTALLAZIONE:

### 4.1. Installazione dell'Alimentatore

Installare sempre l'ALIMENTATORE del sistema per l'elettrolisi del sale in modo VERTICALE e su una superficie (parete) rigida così come si mostra nello schema di installazione raccomandata (Figs. 1). Per garantire il buono stato di conservazione si deve installare il sistema in un luogo asciutto e ben ventilato. Il grado di tenuta dell'ALIMENTATORE del sistema per l'elettrolisi del sale non permette la sua esposizione alle intemperie. L'ALIMENTATORE dovrebbe essere installato sufficientemente lontano dalla cellula elettrolitica in modo che non possa ricevere accidentalmente spruzzi d'acqua.

#### Attenzione



**Evitare assolutamente la formazione di ambienti corrosivi dovuti alle soluzioni che abbassano il pH (in particolare quelle che contengono acido cloridrico "HCl"). Non installare il sistema per l'elettrolisi del sale vicino ai luoghi di stoccaggio di questi prodotti. Raccomandiamo vivamente l'uso di prodotti a base di bisolfato sodico o acido solforico diluito. La connessione dell'alimentatore alla rete elettrica deve essere effettuata nel quadro di manovra del depuratore, in modo che la pompa ed il sistema per l'elettrolisi del sale si accendano simultaneamente.**

### 4.2. Installazione della cellula d'elettrolisi

La cellula elettrolitica è fabbricata in polimero trasparente dentro il quale si trovano gli elettrodi. La cellula elettrolitica dovrebbe essere installata in un luogo protetto dall'intemperie, **sempre in mandata ed a valle** di qualsiasi altro dispositivo dell'impianto come pompe di calore, sistemi di controllo, ecc.

L'installazione dovrebbe essere effettuata in modo tale da permettere il facile accesso dell'utente agli elettrodi installati. La cellula elettrolitica deve essere posizionata sempre ad un'altezza tale della tubazione che possa essere isolata dal resto dell'impianto mediante due valvole, allo scopo di poter realizzare le operazioni di manutenzione della stessa senza dover svuotare totalmente o parzialmente la piscina.

Nel caso in cui la cellula sia installata in by-pass (opzione raccomandata), si dovrà inserire una valvola che ne regoli il flusso all'interno. Prima di procedere all'installazione definitiva del sistema, tenere conto delle seguenti raccomandazioni:

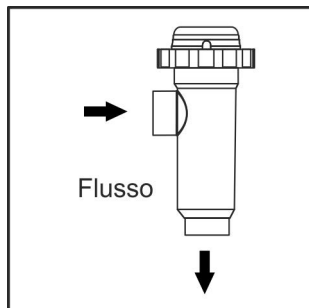


Fig. 2

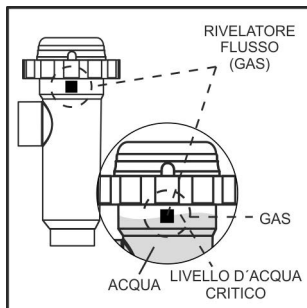


Fig. 3

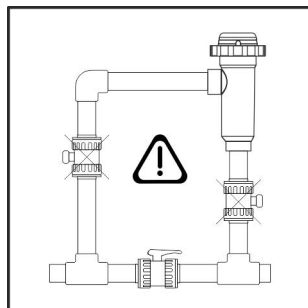


Fig. 4

1. Rispettare il senso di flusso indicato nella cellula. Il sistema di ricircolo deve garantire il flusso minimo indicato nella precedente Tabella di SPECIFICHE TECNICHE per ogni modello (vedere. Sezione 8).

2. Il sistema rivelatore di flusso si attiva in caso di assenza o scarsità di ricircolo (flusso) d'acqua attraverso la cellula. La non evacuazione del gas di elettrolisi produce una sacca che isola elettricamente l'elettrodo ausiliario (rilevamento elettronico). Pertanto, inserendo gli elettrodi nella cellula, la sonda di livello (elettrodo ausiliario) dovrà rimanere situata nella parte superiore della stessa. La disposizione più sicura è quella dello schema di installazione raccomandata

3. **ATTENZIONE:** il rivelatore di flusso non funzionerà correttamente, con il conseguente rischio di rottura della cellula, se si chiudono simultaneamente le valvole di entrata ed uscita alla tubazione dove deve essere installata la cellula elettrolitica. Nonostante sia una situazione inusuale, **può essere evitata bloccando, una volta installato l'impianto, la valvola di ritorno verso la piscina**, in modo che non possa essere manipolata accidentalmente.

Altri schemi di installazione possono risultare accettabili solo se permettono l'individuazione di flusso debole o nullo.

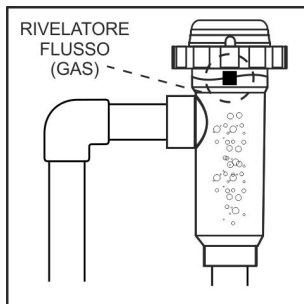


Fig. 5

**Installazione RACCOMANDATA**

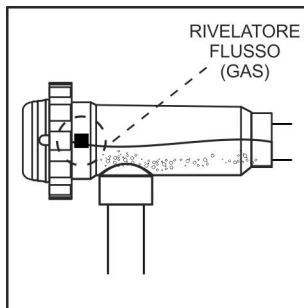


Fig. 6

**Instalación PERMISESA**

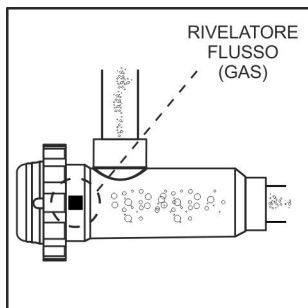


Fig. 7

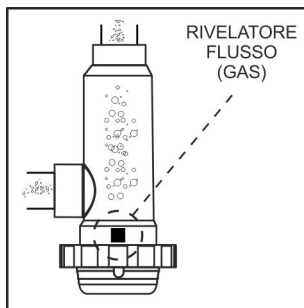
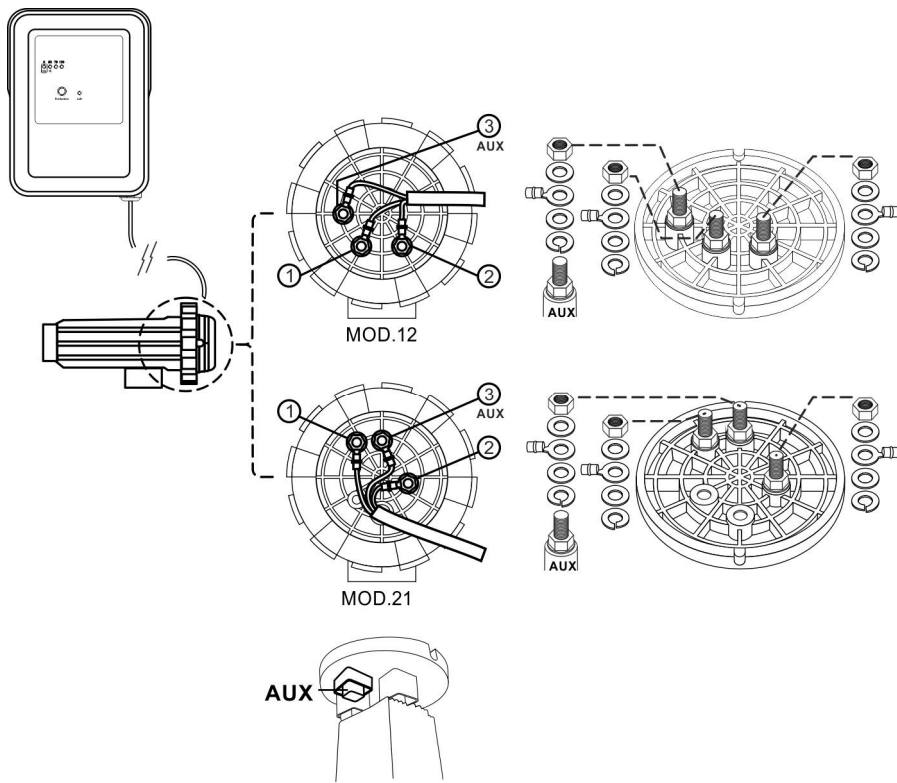


Fig. 8

**Installazioni NON PERMESSE**

### 4.3. Collegamenti elettrici della cellula d' elettrolisi

A causa dell'intensità di corrente relativamente elevata che circola per i cavi di alimentazione della cellula elettrolitica, non si deve assolutamente modificare la lunghezza né il diametro degli stessi senza consultare previamente il suo distributore autorizzato. Il cavo di connessione cellula-alimentatore non deve mai superare la lunghezza massima specificata in questo Manuale: **MOD.12 (6 A), 8 m.; MOD.21 (3.5 A), 30 m.**

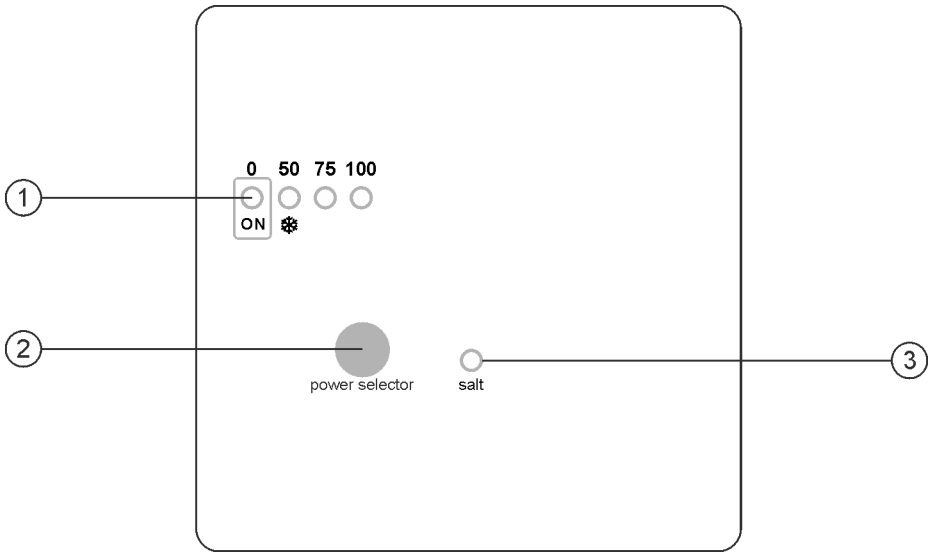


- 1.- Elettrodo 1 (rosso)
- 2.- Elettrodo 2 (rosso)
- 3.- Rivelatore di flusso (giallo)

Fig.9

#### 4.4. Controlli ed indicatori

Il Sistemi per l'Elettrolisi del Sale sono dotati d'un pannello di controllo situato sulla parte frontale.



1.- Scala produzione (%)

Scala	Produzione	Rango
	Sistema di attesa	
	0 %	0 ... 5%
	25 %	5 ... 35%
	50 %	35 ... 55%
	75 %	55 ... 80%
	100 %	80 ... 100%

2.- Tasto di selezione del **livello di produzione**

3.- ALLARME di SALINITÀ (alta/bassa)

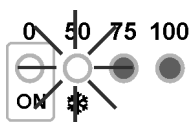
Fig. 10. Pannello di controllo dei modelli MOD. XX



#### 4.5. Programmazione e controllo

Oltre alle operazioni base, il Sistema di Elettrolisi al Sale dispone di una entrata per il controllo esterno mediante un controllo ORP, cloro residuo, ecc., oltre ad una entrata per la regolazione della produzione del sistema all'attivazione della copertura automatica della piscina. Consente inoltre la configurazione di tre tipi di AUTOPULIZIA degli elettrodi: TEST, 2/2, 3/3 ore.

- **Sistema di AUTOPULIZIA DEGLI ELETTRODI:** La frequenza d'inversione può essere selezionata mediante il jumper "JP1" situato nella scheda di controllo del sistema (Fig. 11). Questa configurazione diventerà effettiva quando il sistema si stacchi e torni a collegare.
- **Controllo COPERTURA AUTOMATICA:** il sistema dispone di una entrata per contatto libero da tensione. Quando si chiude il contatto collegato a questa entrata (copertura automatica CHIUSA), il sistema d'elettrolisi riduce la produzione al **10%** del valore nominale (l'indicatore "50%" della scala di produzione rimarrà illuminato).



- **Controllo ESTERNO:** il sistema dispone di una entrata ausiliare aggiuntiva per contatto libero da tensione. Questa entrata può essere utilizzata per far interagire il sistema di elettrolisi con un controllo esterno (ORP, CLORO RESIDUO, FOTOMETRO, ecc.). Quando il contatto collegato a questa entrata è APERTO, il sistema d'elettrolisi si blocca. Per attivare l'entrata è necessario inserire il jumper "JP2", situato nella scheda di controllo dell'unità. Questa configurazione diventerà effettiva quando il sistema si stacchi e torni a collegare.

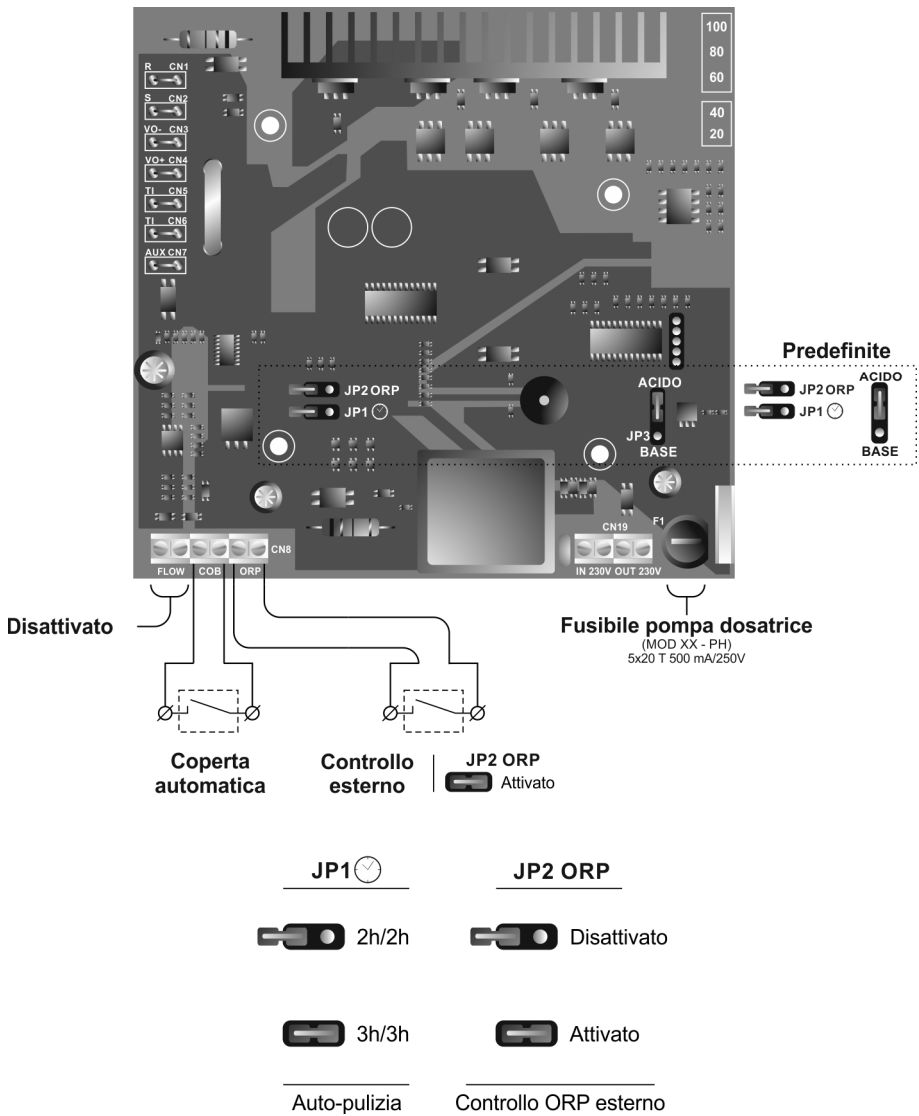


Fig. 11

#### 4.6. Avviamento

1. Assicurarsi che il filtro sia perfettamente pulito, e che la piscina e l'impianto non contengano rame, ferro ed alghe, nonché che tutti gli impianti di riscaldamento installati siano compatibili con la presenza di sale nell'acqua.

2. Equilibrare l'acqua della piscina. Questo ci permetterà di ottenere un trattamento più efficace con una minore concentrazione di cloro libero nell'acqua, nonché una vita utile più lunga degli sensori insieme ad una minore formazione di depositi calcarei nella piscina.

a) Il pH deve essere di 7.2-7.6

b) L'alcalinità totale deve essere di 60-120 ppm.

3. Nonostante il sistema per l'elettrolisi del sale possa lavorare con un valore di salinità di 5 - 12 g/l, è preferibile cercare di mantenere il livello minimo di sale raccomandato di 6 g/l aggiungendo 6 kg per ogni m<sup>3</sup> d'acqua, sempreché l'acqua non contenga già sale per propria natura. Non aggiungere il sale attraverso la cellula. Aggiungere direttamente nella piscina o nel serbatoio di compensazione (lontano dal canale di sfioro della piscina).

4. Quando si aggiunge il sale, e nel caso in cui la piscina sia utilizzata immediatamente, realizzare un trattamento con cloro. Come dose iniziale, si possono aggiungere 2 g/m<sup>3</sup> di acido tricloroisocianurico.

5. Prima di iniziare il ciclo di lavoro, spegnere l'alimentatore ed accendere la pompa del depuratore per 24 ore, allo scopo di assicurare la completa dissoluzione del sale.

6. Dopo di che avviare il sistema per l'elettrolisi del sale, impostando il livello di produzione dello stesso, in modo che si mantenga il livello di cloro libero dentro i livelli raccomandati (0.5 - 1.5 ppm).

NOTE: per potere stabilire il livello di cloro libero si dovrà usare un kit di analisi.

7. In piscine molto assolate o fortemente utilizzate, è consigliabile mantenere un livello di 25-30 g/m<sup>3</sup> di stabilizzante (acido isocianurico). In nessun caso, si dovrà superare il livello di 75 g/m<sup>3</sup>. Questo sarà di grande aiuto per evitare la distruzione del cloro libero presente nell'acqua dovuta all'azione della luce solare.

## 5. OPERAZIONE:



### 5.1. Sistema detenuto

Il sistema entra nella modalità "IN ATTESA" premendo il tasto **SELECTOR** [2] fino a che l'indicatore "0 %" comincia a lampeggiare continuamente. In questa situazione non vi è produzione nella cellula d'elettrolisi.

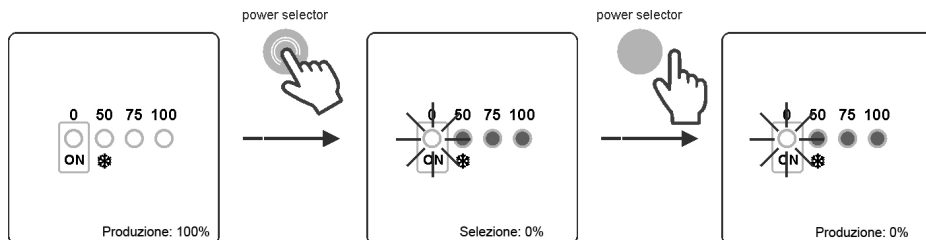


Fig. 12

### 5.2. Selezione del livello di produzione

Per selezionare il livello di produzione desiderato, premere di seguito i tasti **POWER SELECTOR** [2] fino a quando l'indicatore corrispondente al livello di produzione desiderato che lampeggerà costantemente. Trascorsi alcuni secondi, il sistema imposterà la produzione sul livello selezionato.

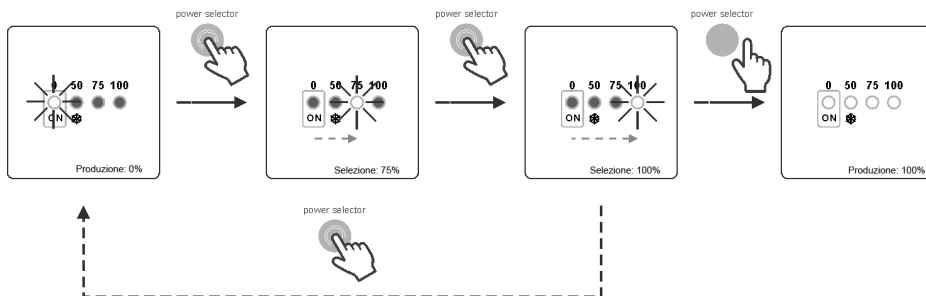


Fig. 13

Il setpoint di produzione programmato può essere visualizzato in qualsiasi momento premendo una volta il tasto **"SELETTORE DI POTENZA"** [2]. Il led corrispondente al livello di produzione programmato lampeggerà per alcuni secondi. Dopo questo tempo, l'indicatore di produzione indicherà l'attuale livello di produzione.

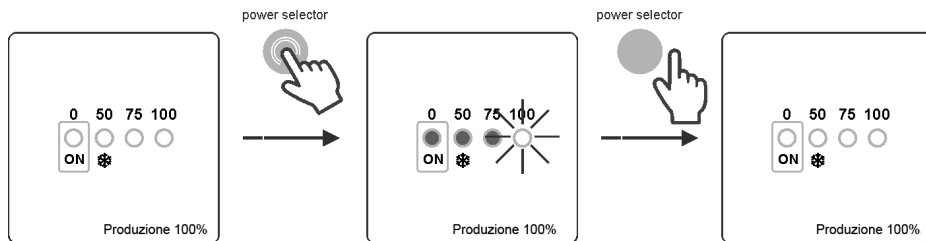


Fig. 14



**Modo INVERNO:** durante i periodi di bassa temperatura dell'acqua, dove la richiesta di cloro sarà bassa, selezionare un livello di produzione [1] di **60%**, perché in questo modo il consumo di energia e la durata degli elettrodi è ottimizzato.

### 5.3. Modo TEST

Per accedere al **MODO TEST**, ridurre il livello di produzione a **"0 %"** premendo ripetutamente il tasto "▼" [2] (Fig. 15).

Una volta bloccato il sistema, mantenere premuto lo stesso tasto per 10 secondi. Il sistema indicherà l'avvio del **MODO TEST** con l'accensione simultanea di tutti gli indicatori per un secondo. Quindi selezionare il livello di produzione desiderato premendo **POWER SELECTOR** [2].

Quando il sistema è in MODALITÀ TEST, l'intensità del LED indicatore **"0%"** varierà in modo sequenziale.

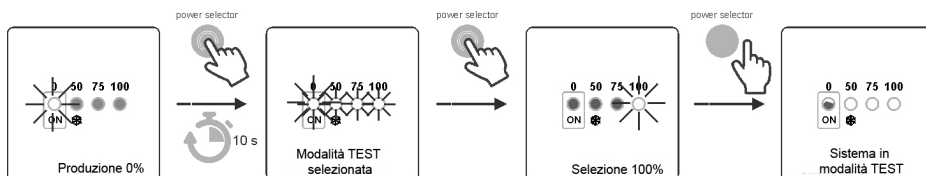


Fig. 15

Quando il sistema entra in **MODO TEST** vengono azzerati il temporizzatore di cambio di polarità ed il livello di produzione selezionato. In questo modo il sistema è completamente operativo ed esegue le inversioni di polarità degli elettrodi **ogni 2 minuti**. Per uscire dal **MODO TEST**, il sistema deve essere spento dalla rete a 230 Vac per alcuni secondi. Accensione il sistema nuovamente, torna automaticamente al programma di autopulizia precedente.

## 5.4. Allarmi

- **LIVELLO DI SALE ALTO**

Qualora sia stato aggiunto del sale in eccesso, la fonte di alimentazione ridurrà automaticamente il livello di potenza rispetto a quello selezionato. L'indicatore "SALT" [3] rimarrà illuminato. In questo caso svuotare una parte della piscina (per esempio il 10% circa) ed aggiungere dell'acqua fredda per diminuire la concentrazione salina. Per conoscere il livello di sale in modo preciso vi raccomandiamo l'utilizzo di un misuratore portatile di salinità-temperatura.

- **LIVELLO DI SALE BASSO**

Qualora il livello del sale nell'acqua della piscina sia inferiore a quanto raccomandato, la fonte di alimentazione non potrà raggiungere il livello d'uscita selezionato. L'indicatore "SALT" [3] lampeggerà. È possibile che il sistema indichi un livello di sale basso in caso di temperatura inferiore a 20°C, o se l'elettrodo ha raggiunto la fine della sua vita utile. In questo caso, determinare il livello salino dell'acqua ed aggiungere la quantità di sale necessario. Il tipo di sale comune (NaCl) indicato per l'elettrolisi salina non deve presentare additivi (antinfeltrenti, ioduri) e deve essere idoneo al consumo umano. Per conoscere il livello di sale in modo preciso vi raccomandiamo l'utilizzo d'un misuratore portatile di salinità-temperatura.

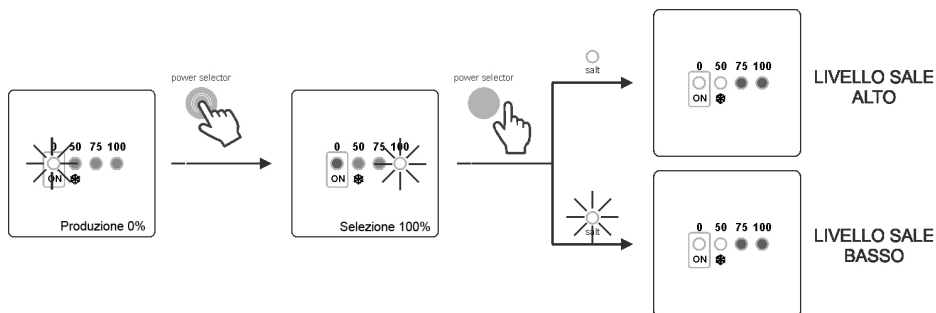
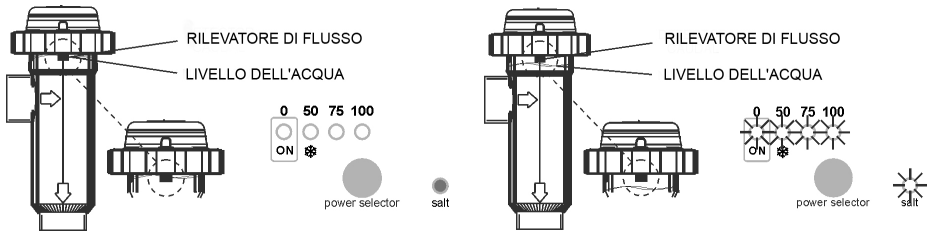


Fig. 16

- **LIVELLO D'ACQUA NELLA CELLULA / RIVELATORE DI FLUSSO (GAS)**

Qualora si formi una bolla d'aria o di gas nella parte superiore della cellula d'elettrolisi ed il RIVELATORE DI FLUSSO non sia sommerso, il sistema bloccherà automaticamente la produzione, e tutti i led del pannello di controllo lampeggeranno. Il sistema verrà riavviato automaticamente non appena ristabilito il passaggio dell'acqua nella cellula o eliminata la bolla.



**1. Rivelatore di gas sommerso. Sistema operativo.**

**2. Gas rivelato. Sistema bloccato.**

Fig. 17

- **CONTROLLO ESTERNO [JP2] ATTIVATO**

Quando il controllore esterno avverte un valore superiore al setpoint fissato, arresta automaticamente la produzione ed il led "0%" della scala di produzione [1] emette scintillii intermittenti.

## 6. MANUTENZIONE:

---

### 6.1. Manutenzione della cellula d'elettrolisi

La cellula deve essere mantenuta nelle condizioni adeguate per assicurarle una lunga vita. Evitare che si formino incrostazioni calcaree sugli stessi. Il sistema per l'ELETTROLISI del SALE dispone d'un sistema di pulizia automatica degli elettrodi, per questo non è prevista la realizzazione di nessuna pulizia aggiuntiva. Tuttavia, se fosse necessario effettuare la pulizia all'interno della cellula, procedere nel modo seguente:

1. Staccare l'alimentazione 230 Vac del sistema.
2. Svitare il dado di chiusura situato all'estremo dove si trovano gli elettrodi, ed estrarre il pacchetto degli elettrodi.
3. Utilizzare una soluzione diluita di acido cloridrico (una parte di acido cloridrico in 10 parti d'acqua), immergendovi il pacchetto degli elettrodi per 10 minuti al massimo.
4. **NON RASCHIARE NÉ SPAZZOLARE LA CELLULA ELETTROLITICA.**

Gli elettrodi d'un sistema per l'ELETTROLISI del SALE sono costituiti da lamine di titanio ricoperte da uno strato di ossidi di metalli nobili. I processi di elettrolisi che si producano sulla sua superficie provocano un'usura progressiva, per ciò, allo scopo di ottimizzare il tempo di durata degli stessi, si dovrebbe tenere conto dei seguenti aspetti:

1. Nonostante si tratti di sistemi per l'ELETTROLISI del SALE AUTOPULENTI, un funzionamento prolungato del sistema a valori di pH superiori a 7,6 in acque di elevata durezza, può produrre l'accumulo di depositi calcarei sulla superficie degli elettrodi. Questi depositi deterioreranno progressivamente il rivestimento, causando una diminuzione della loro vita utile.
2. Puliture/lavaggi frequenti degli elettrodi (come quelli descritti precedentemente) accorceranno la loro vita utile.
3. Il funzionamento prolungato del sistema a salinità inferiori a 3 g/l causa un deterioramento prematuro degli elettrodi.
4. L'utilizzo frequente di prodotti alghicidi con alto contenuto di rame, può provocare la deposizione dello stesso sugli elettrodi, danneggiando progressivamente il rivestimento. Ricordare che il migliore alghicida è il cloro.



**7. PROBLEMI / SOLUZIONE:** \_\_\_\_\_

Staccare sempre l'apparecchio della rete elettrica prima di intraprendere ogni azione richiesta per risolvere possibili problemi. Qualsiasi problema che non è previsto nella lista seguente dovrà essere risolto da un tecnico autorizzato.

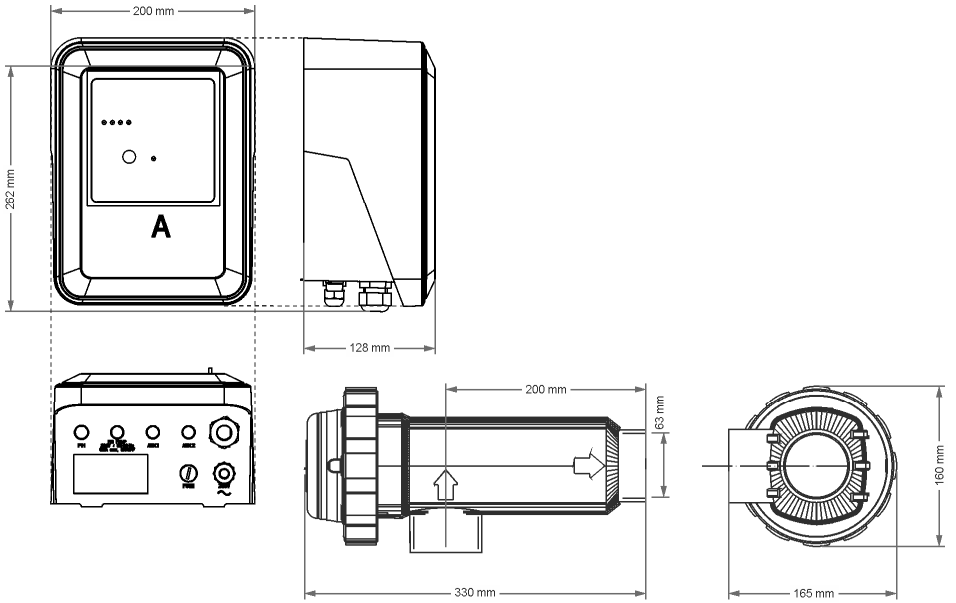
PROBLEMA	SOLUCION
<b>L'indicatore di produzione indica sempre "0" in ogni livello di produzione scelto</b>	Verificare lo stato degli elettrodi. Verificare le connessioni tra l'alimentatore e la cellula elettrolitica. Verificare la concentrazione di sale
<b>L'alimentatore non si accende</b>	Verificare che il sistema sia correttamente collegato a 230 V/50-60 Hz nel quadro di manovra della piscina. Verificare lo stato del fusibile situato nella parte inferiore dell'impianto.
<b>Il livello di cloro libero nella piscina è basso</b>	Verificare che il sistema produca cloro nel ritorno della piscina. Assicurarsi che i parametri chimici dell'acqua (pH, cloro combinato, acido isocianurico) siano corretti. Aumentare il tempo di filtraggio. Aggiungere stabilizzante di cloro (acido cianurico) fino a raggiungere un livello di 25-30 g./m <sup>3</sup> .

## 8. DATI TECNICI:

DETTAGLI TECNICI:	
<b>Tensione di alimentazione standard</b> 230V AC - 50/60 Hz. Cable: MOD. 12 MOD. 21	3x1.0 mm <sup>2</sup> , 2 m. 0.4 A 0.4 A
<b>Fusibile</b> MOD. 12 MOD. 21	2 AT (5x20 mm) 2 AT (5x20 mm)
<b>Tensione d'uscita</b> Cavo MOD. 12 MOD. 21	3x2.5 mm <sup>2</sup> , 2m. 10.5 VDC / 6.0 A 23.0 VDC / 3.5 A
<b>Produzione</b> MOD. 12 MOD. 21	10 ... 12 g/h 17 ... 21 g/h
<b>Flusso minimo d'acqua</b> MOD. 12 MOD. 21	2 m <sup>3</sup> /h 3 m <sup>3</sup> /h
<b>Número di elettrodi</b> MOD. 12 MOD. 21	5 7
<b>Peso netto (imballaggio incluso)</b> MOD. 12 MOD. 21	6.5 Kg. 8.5 Kg.

CARATTERISTICHE GENERALI:
<b>Sistema di controllo</b> <ul style="list-style-type: none"> <li>• Microprocessore.</li> <li>• Tastiera a membrana con pulsanti di controllo ed indicatori di funzionamento.</li> <li>• E/U controllo: 2 entrate (tipo contatto libero di tensione) per stato della copertura automatica e controllore esterno (ORP, CLORO RESIDUAL, etc.).</li> <li>• Uscita cellula: controlli di produzione</li> <li>• Rango di salinità / Temperatura: 3 - 12 g/l. / +15 - 40oC.</li> </ul>
<b>Auto-pulizia</b> Inversione di polarità automatica
<b>Temperatura d'operazione</b> 0°C à + 50°C Refrigerazione: convezione naturale
<b>Materiale</b> <ul style="list-style-type: none"> <li>• Alimentatore ABS</li> <li>• Cellula di elettrolisi Metacrilato trasparente</li> </ul>

# Dimensioni



## **9. CONDIZIONI DI GARANZIA:**

---

### **9.1. ASPETTI GENERALI**

- 9.1.1. Ai sensi delle presenti disposizioni, il venditore garantisce che il prodotto corrispondente a questa garanzia non presenta alcun difetto al momento della consegna.
- 9.1.2. Il Periodo Totale di Garanzia è de 2 ANNI.
- 9.1.3. Il Periodo Totale di Garanzia è calcolato dal momento della consegna all'acquirente. L'elettrodo è coperto da una garanzia di 2 ANNI (o 3.000 ore), non estendibile. La sonda di pH è coperta da una garanzia di 6 MESI, non estendibile.
- 9.1.4. In caso di difetto del prodotto segnalato dall'acquirente al venditore durante il periodo di garanzia, il venditore sarà tenuto a riparare o sostituire il prodotto a proprie spese nel luogo che ritenga opportuno, salvo nel caso in cui ciò risulti impossibile o sproporzionato.
- 9.1.5. Nel caso in cui il prodotto non possa essere riparato o sostituito, l'acquirente potrà richiedere una riduzione proporzionale del prezzo ovvero, qualora il difetto sia sufficientemente importante, la risoluzione del contratto di vendita.
- 9.1.6. Le parti sostituite o riparate in virtù della presente garanzia non estenderanno la durata della garanzia del prodotto originale, sebbene siano coperte da una garanzia propria.
- 9.1.7. Affinché la presente garanzia sia efficace, l'acquirente dovrà poter certificare la data d'acquisto e di consegna del prodotto.
- 9.1.8. Qualora l'acquirente, trascorsi oltre sei mesi dalla consegna del prodotto allo stesso, ne dichiari un difetto, dovrà dimostrarne l'origine e l'esistenza.
- 9.1.9. Il presente Certificato di Garanzia non limita o pregiudica i diritti dei consumatori ai sensi delle vigenti norme legali nazionali di carattere imperativo.

### **9.2. CONDIZIONI PARTICOLARI**

- 9.2.1. Affinché la presente garanzia sia efficace, l'acquirente dovrà seguire strettamente le indicazioni del fabbricante comprese nella documentazione allegata al prodotto, qualora essa risulti applicabile in base alla gamma ed al modello del prodotto.
- 9.2.2. Qualora venga specificato un calendario per la sostituzione, la manutenzione o la pulizia di determinate parti o componenti del prodotto, la garanzia sarà valida solamente nel caso in cui tale tempistica sia stata correttamente rispettata.

### **9.3. LIMITAZIONI**

- 9.3.1. La presente garanzia sarà applicabile unicamente alle vendite eseguite nei confronti di consumatori; per "consumatori" si intendono le persone che acquistino il prodotto per scopi estranei alla rispettiva attività professionale.
- 9.3.2. Non verrà concessa alcuna garanzia a copertura della normale usura dovuta all'utilizzo del prodotto, né per i pezzi, i componenti e/o i materiali fungibili o di consumo (ad eccezione dell'elettrodo).
- 9.3.3. La garanzia non copre i casi in cui il prodotto: (i) sia stato oggetto di uso improprio; (ii) sia stato ispezionato, riparato, mantenuto o manipolato da personale non autorizzato; (iii) sia stato riparato o mantenuto con pezzi non originali o (iv) sia stato installato o messo in servizio in modo improprio.

9.3.4. Qualora la mancanza di conformità del prodotto sia conseguenza d'una impropria installazione o messa in servizio, la presente garanzia sarà valida nel caso in cui tale installazione o messa in servizio sia inclusa nel contratto di acquisto-vendita del prodotto e sia stata eseguita dal venditore o sotto la propria responsabilità.

9.3.5. Danni e difetti del prodotto dovuti alle seguenti cause:

- Programmazione difettosa del sistema e/o calibratura inadeguata dei sensori di pH/ORP per l'utente.
- Funzionamento a concentrazioni di salinità inferiori a 3 g/l di cloruro sodico e/o temperature inferiori a 15°C o superiori a 40°C.
- Funzionamento in condizioni di pH superiore a 7,6.
- Impiego di prodotti chimici non esplicitamente autorizzati.
- Esposizione ad ambienti corrosivi e/o temperature inferiori a 0°C o superiori a 50°C.

## 10. DICHIARAZIONE CE DI CONFORMITÀ \_\_\_\_\_

La seguente gamma di sistemi di elettrolisi del sale è certificata per l'uso finale nelle piscine:

Prodotti certificati:

**SCG60 (MOD.12), SCG100 (MOD.21).**

I prodotti sopra menzionati sono conformi alle seguenti Direttive CE e Standard:

- o Direttiva bassa tensione (LVD) 2014/35 / UE.
- o Direttiva sulla compatibilità elettromagnetica (EMC) 2014/30 / UE.
- o Direttiva ROHS 2011/65 / CE.

I.D. ELECTROQUIMICA, S.L.  
Pol. Ind. Atalayas, c./ Dracma R-19  
E-03114 Alicante  
España

Gaspar Sánchez  
Manager

Data: 01/02/2017

**BELANGRIJK:** Het instructieboek dat u momenteel in handen hebt, bevat fundamentele informatie over de veiligheidsmaatregelen die u dient te nemen tijdens de installatie en bij de ingebruikstelling. Het is dan ook noodzakelijk dat zowel de installateur als de gebruiker deze instructies aandachtig lezen vooraleer over te gaan tot de montage en de inbedrijfstelling. Bewaar dit handboek zodat u het later kunt raadplegen bij eventuele vragen over de werking van dit apparaat.



### Verwerking van elektrische en elektronische apparaten na hun levensduur (geldt enkel in de EU)

Wanneer een product voorzien is van dit symbool, betekent dit dat het na het verstrijken van de levensduur ervan niet mag worden weggegooid samen met de rest van het huishoudelijk afval. Het behoort tot de verantwoordelijkheid van de gebruiker om dit soort afval naar een verzamelpunt te brengen dat specifiek voorzien is voor de selectieve recyclage van afgedankte elektrische en elektronische apparaten. De aangepaste verwerking en recyclage van dit soort afval draagt essentieel bij tot het behoud van het leefmilieu en het welzijn van de gebruikers. Voor meer informatie over de specifieke inzamelpunten voor dit soort afval dient u contact op te nemen met de lokale autoriteiten.

De instructies in dit handboek beschrijven de werking en het onderhoud van de zoutelektrolysesystemen. Om te komen tot een optimaal rendement van de zoutelektrolysesystemen, is het raadzaam de onderstaande instructies te volgen:

## 1. CONTROLEER DE INHOUD VAN DE VERPAKKING

In de verpakking moeten zich de volgende toebehoren bevinden:

- Voedingsbron
- Elektrolysecel
- Handleiding voor het apparaat

## 2. ALGEMENE KENMERKEN

Zodra uw zoutelektrolysesysteem geïnstalleerd is, moet u een hoeveelheid zout in het water laten oplossen. Dit zoute water circuleert door de elektrolysecel die zich in de zuiveringsinstallatie bevindt. Het zoutelektrolysesysteem bestaat uit twee elementen: een elektrolysecel en een voedingsbron. De elektrolysecel omvat een bepaald aantal titaniumplaatjes (elektroden), waardoor een elektrische stroom circuleert alsook de zoutoplossing; als gevolg hiervan vormt er zich vrij chloor. Door de hoeveelheid chloor in het zwembadwater op een bepaald niveau te houden, kan een goede waterkwaliteit gegarandeerd worden. Het zoutelektrolysesysteem produceert chloor telkens het recirculatiesysteem van het zwembad (pomp en filter) operationeel is.

De voedingsbron is uitgerust met diverse veiligheidsinrichtingen die geactiveerd worden bij een abnormaal werkend systeem, alsook met een microbesturingseenheid. De zoutelektrolysesystemen beschikken over een automatisch reinigingssysteem voor de elektroden dat de vorming van aanslag voorkomt.

### 3. VEILIGHEIDSWAARSCHUWINGEN EN AANBEVELINGEN

- De montage en bediening mogen enkel worden uitgevoerd door personeel dat daartoe voldoende gekwalificeerd is.
- De geldende normen ter preventie van ongevallen, alsook met betrekking tot elektrische installaties moeten worden nageleefd.
- De fabrikant kan in geen geval verantwoordelijk worden gesteld voor de montage, installatie of inbedrijfstelling, noch voor enige verwerking of integratie van componenten in zijn installaties die hij niet zelf heeft vervaardigd.
- De zoutelektrolysesystemen werken met 230 V AC / 50/60 Hz. U mag de voedingsbron niet proberen te gebruiken met een ander voltage.
- Vergewis u ervan dat de elektrische aansluitingen stevig zijn om valse contacten te vermijden, wat kan leiden tot oververhitting.
- Voordat u overgaat tot de installatie of vervanging van enig component in het systeem, moet u zich ervan vergewissen dat dit eerst is losgekoppeld van de voedingsspanning, en gebruik uitsluitend door de fabrikant geleverde reserveonderdelen.
- Aangezien het apparaat warmte genereert, is het van belang dat u het installeert op een locatie die voldoende wordt verlucht en dat u ervoor zorgt dat de ventilatieopeningen steeds vrij blijven van enig blokkerend element. Zorg ervoor dat het apparaat niet geïnstalleerd wordt in de buurt van ontvlambare materialen.
- De zoutelektrolysesystemen hebben een beschermingsgraad IP24. Ze mogen in geen geval geïnstalleerd worden op locaties die kunnen overstromen.

### VOEDINGSBRON

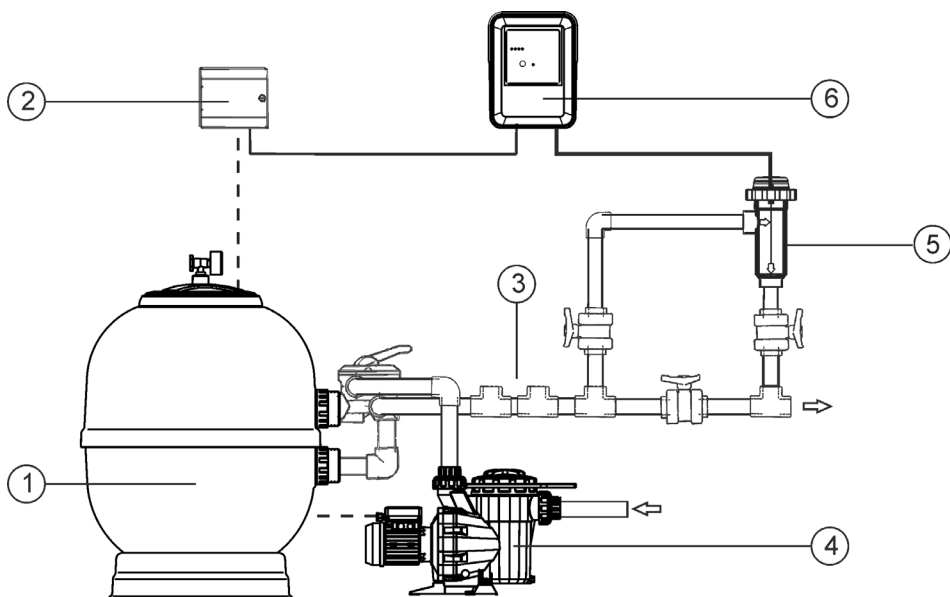
BESCHRIJVING	MODELO	
	SCG60 (MOD.12)	SCG100 (MOD. 21)
Bedrijfsspanning	230 V AC, 50 Hz./60 Hz.	
Uitgang (DC)	6 A x 2	3.5 A x 6
Output (g/u)	10 - 12	17 - 21
Capaciteit zwembad (m <sup>3</sup> ) Matig: 16 - 24°C Warm: +25°C	60 50	100 80
Debietmeter	Gasdetector	
Zoutbereik / Temperatuurbereik	5 ... 12 g./l. / +15 ... 40°C	
Elektroden	Titanium met ZELFREINIGENDE coating, STANDAARD-kwaliteit Geschatte duur: 8.000 - 10.000 uren (afhankelijk van de waterkwaliteit)	
Outputcontrole	0 - 50 - 75 - 100 % ( 3 outputniveaus)	
Polariteitsinversie	Programmeerbaar: 2 <sup>(1)</sup> / 3 uren (jumper op controlekaart) + testmodus	
Zoutniveaubescherming	Automatische outputbescherming	

<sup>(1)</sup> Fabrieksinstelling

<sup>(2)</sup> Onder ideale omstandigheden: zoutgehalte (6 g / l), pH (7,2), waterhardheid (120 mg / l) en minimumdebiet.

## ELEKTROLYSECEL

BESCHRIJVING	MODEL	
	SCG60 (MOD.12)	SCG100 (MOD. 21)
Min. Debiet	2 m <sup>3</sup> /h	3 m <sup>3</sup> /h
Aantal elektroden	5	7
Materiaal	Methacrylaatderivaat	
Leidingaansluiting	Vastgemaakt met lijm voor pvc-buizen Ø 63 mm	
Aanbevolen max. druk	1 kg/cm <sup>2</sup>	
Werktemperatuur	Minder dan 40°C	



- 1.- Filter
- 2.- Schakelbord
- 3.- Andere uitrustingen (warmtewisselaar, UV ...)

- 4.- Pomp
- 5.- Elektrolysecel
- 6.- Voedingsbron

Fig.1 Aanbevolen installatieschema



## 4. INSTALLATIE

### 4.1. Installatie van de voedingsbron

Installeer de VOEDINGSBRON van het systeem steeds VERTICAAL en op een stevig oppervlak (aan een stevige wand) zoals weergegeven in het aanbevolen installatieschema (Fig. 1). Om te garanderen dat het systeem in goede staat blijft, moet u ervoor zorgen dat het apparaat steeds geïnstalleerd wordt op een droge en goed verluchte locatie. De dichtheidsgraad van de VOEDINGSBRON van het systeem laat geen installatie in de openlucht toe. De VOEDINGSBRON moet bij voorkeur worden geïnstalleerd op een voldoende grote afstand van de elektrolysecel, om te vermijden dat er niet ongewild waterspatten op terechtkomen.

#### Aandacht



Vermijd in het bijzonder dat er corrosieve omgevingen ontstaan als gevolg van oplossingen met een lage pH (concreet alle samenstellingen met zoutzuur "HCl"). Installeer het systeem niet in de buurt van plaatsen waar dergelijke producten opgeslagen zijn. We raden met klem aan producten te gebruiken op basis van natriumbisulfaat of verdund zwavelzuur. De aansluiting van de voedingsbron op het elektriciteitsnet moet gerealiseerd worden in de schakelkast van de zuiveringsinstallatie. Daarbij moet u ervoor zorgen dat de pomp en het systeem gelijktijdig aangesloten worden.

### 4.2. Installatie van de elektrolysecel

De elektrolysecel is vervaardigd in een transparant polymeer, waarin zich de elektroden bevinden. De elektrolysecel moet worden geïnstalleerd op een locatie die voldoende bescherming biedt tegen de weersomstandigheden en **altijd achter het filtersysteem** en iedere andere voorziening in de installatie zoals warmtepompen, controlesystemen ...

Na installatie van de elektrolysecel moet de gebruiker makkelijk toegang hebben tot de geïnstalleerde elektroden. De elektrolysecel moet altijd aangebracht zijn op een locatie in het leidingnet die door middel van kleppen afgescheiden kan worden van de rest van de installatie, zodat de respectieve onderhoudswerkzaamheden kunnen worden uitgevoerd zonder dat het zwembad geheel of gedeeltelijk moet worden geleegd.

Indien de cel wordt geïnstalleerd in een bypass (aanbevolen optie), moet ze worden ingewerkt in een klep die het debiet door deze bypass regelt. Vooraleer over te gaan tot de definitieve installatie van het systeem, moet rekening worden gehouden met de volgende opmerkingen:

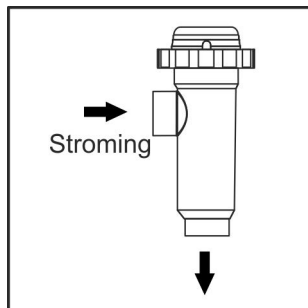


Fig. 2

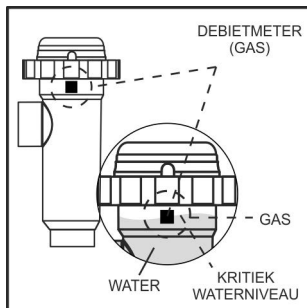


Fig. 3

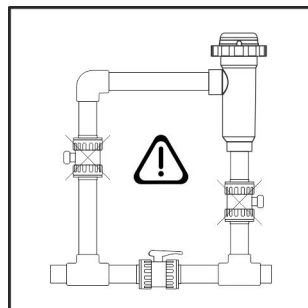


Fig. 4

1. U moet steeds de stroomrichting respecteren die op de cel is aangegeven. Het recirculatiesysteem moet het minimumdebiet garanderen zoals vermeld in de tabel met de technische kenmerken (zie punt 8).

2. Het systeem voor de debietmeting (gasdetector) wordt geactiveerd wanneer er geen of heel weinig water door de cel circuleert (stroomt). Doordat het elektrolysegas niet afgevoerd wordt, ontstaat er een luchtbel die de hulpelektrode elektrisch isoleert (elektronische detectie). Vandaar dat de gasdetector (hulpelektrode) bij het invoeren van de elektroden in de cel steeds in het bovenste deel ervan moet blijven zitten. De veiligste opstelling is zoals weergegeven in het aanbevolen installatieschema.

3. **OPGELET:** de debietmeter (gasdetector) zal niet correct werken, met het daaruit voortvloeiende risico op onderbreking van de cel, als zowel de ingangs- als de uitgangskleppen op het leidingnet waarop de elektrolysecel is geïnstalleerd, zich sluiten. Ook al leidt dit tot een ongebruikelijke situatie, **toch kan dit vermeden worden door de terugstroomklep naar het zwembad, na installatie van het apparaat, te blokkeren, zodat ze niet per ongeluk gemanipuleerd kan worden.**

De elektroden van de modellen moeten in de elektrolysecel worden ingebracht, zodat de centrale elektrode van het geheel via de rails in de kwadranten van het lichaam past.

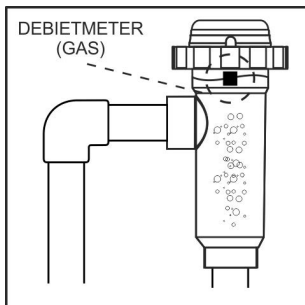


Fig. 5

**AANBEVOLEN installatie**

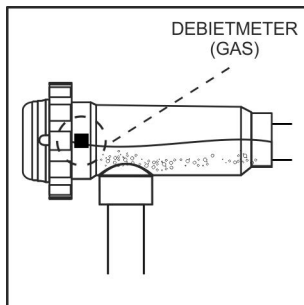


Fig. 6

**TOEGESTANE installatie**

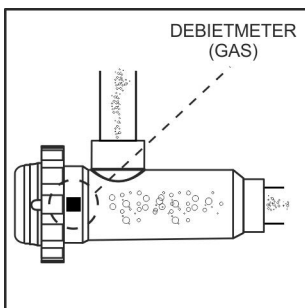


Fig. 7

**NIET TOEGESTANE installaties**

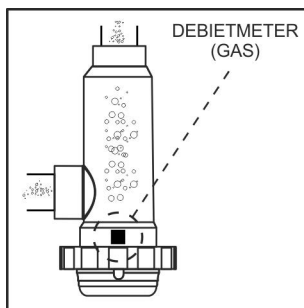
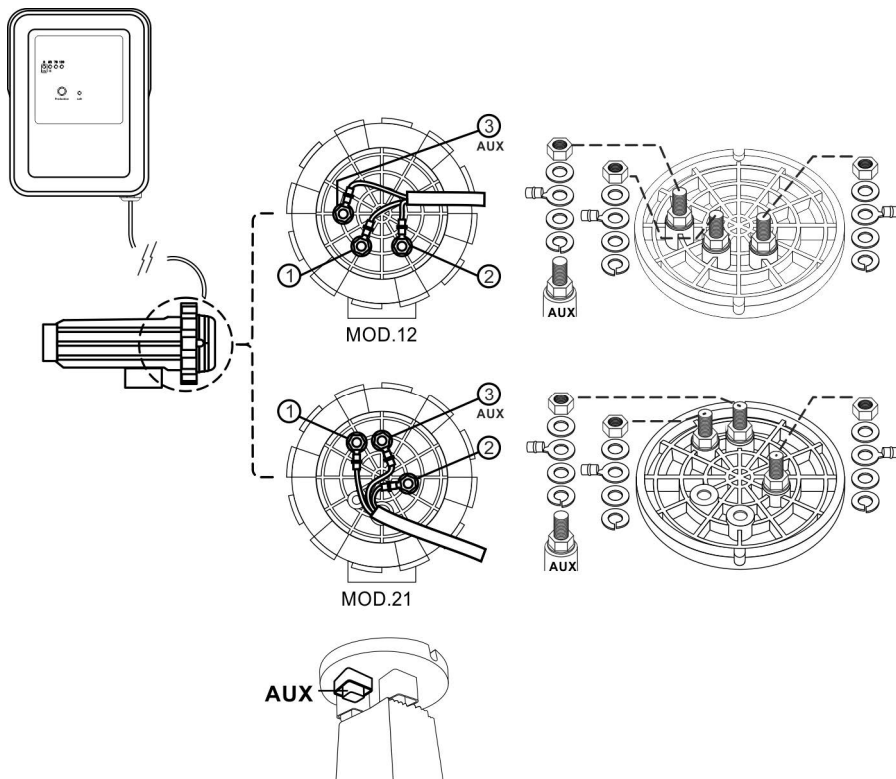


Fig. 8

### 4.3. Elektrische aansluitingen van de elektrolysecel

Realiseer de verbinding tussen de elektrolysecel en de voedingsbron volgens de onderstaande schematische voorstellingen. Door de relatief hoge stroomsterkte die door de kabels van de elektrolysecel stroomt, mag u in geen enkel geval de lengte noch de diameter van deze kabels veranderen zonder voorafgaand uw erkende verdeler te consulteren. De verbindingkabel tussen de cel en de voedingsbron mag nooit langer zijn dan de in dit handboek aanbevolen maximumlengte: **MOD.12 (6 A), 8 m.;** **MOD.21 (3.5 A), 30 m.**

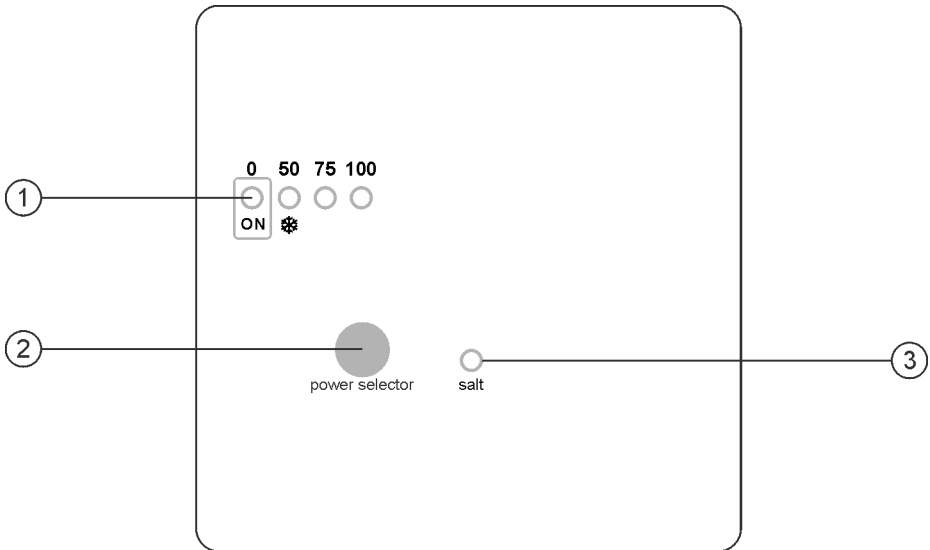


- 1.- Elektrode 1 (Rood)
- 2.- Elektrode 2 (Rood)
- 3.- Debietmeter (Geel)

Fig.9

#### 4.4. Controle-elementen en indicatoren

De zoutelektrolysesystemen zijn aan de voorkant uitgerust met een bedieningspaneel (Fig. 10).



1.- Outputschaal (%)

Schaal	Productie	Rang
	Standby-systeem	
	0 %	0 ... 5%
	25 %	5 ... 35%
	50 %	35 ... 55%
	75 %	55 ... 80%
	100 %	80 ... 100%

2.- Toets **Selectietoets productieniveau**

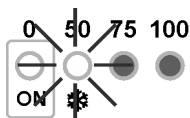
3.- ALARM ZOUTGEHALTE (hoog/laag)

Fig. 10. Bedieningspaneel voor systemen. MOD. XX

#### 4.5. Programmering en bediening

Naast de basisverrichtingen beschikt het zoutelektrolysesysteem ook over een ingang voor externe bediening via een controller voor ORP, resterend chloor ...; zo is er een voor de productie-instelling van het apparaat voor de activering van de automatische zwembadafdekking. Verder zijn er ook drie modi ingesteld voor de ZELFREINIGING van de elektroden: TEST, 2/2, 3/3 uren.

- **System voor ZELFREINIGING VAN ELEKTRODEN:** De inversiefrequentie kan worden geselecteerd door middel van de jumper "JP1" die zich op het bedieningspaneel van het systeem bevindt (Fig. 11). Deze configuratie zal efficiënt zijn wanneer het apparaat wordt afgekoppeld en opnieuw wordt aangekoppeld.
- **Bediening AUTOMATISCHE AFDEKKING:** het systeem beschikt over een ingang voor een spanningsloos contact. Wanneer het contact dat verbonden is met deze ingang, zich sluit (automatische afdekking DICHT), vermindert het elektrolysesysteem zijn input met **10%** van zijn nominale waarde (de led bij "**50%**" van de outputschaal licht op).



- **EXTERNE bediening:** het systeem beschikt over een bijkomende hulpingang voor een spanningsloos contact. Deze ingang kan worden gebruikt om het elektrolysesysteem interactief te laten werken met een externe controller (ORP, RESTEREND CHLOOR, LICHTMETER ...). Wanneer het contact dat met deze ingang is verbonden, GEOPEND is, stopt het elektrolysesysteem. Om deze ingang te activeren, zal de jumper "JP2" op het bedieningspaneel van de eenheid ingesteld moeten worden. Deze configuratie zal efficiënt zijn wanneer het apparaat wordt afgekoppeld en opnieuw wordt aangekoppeld.

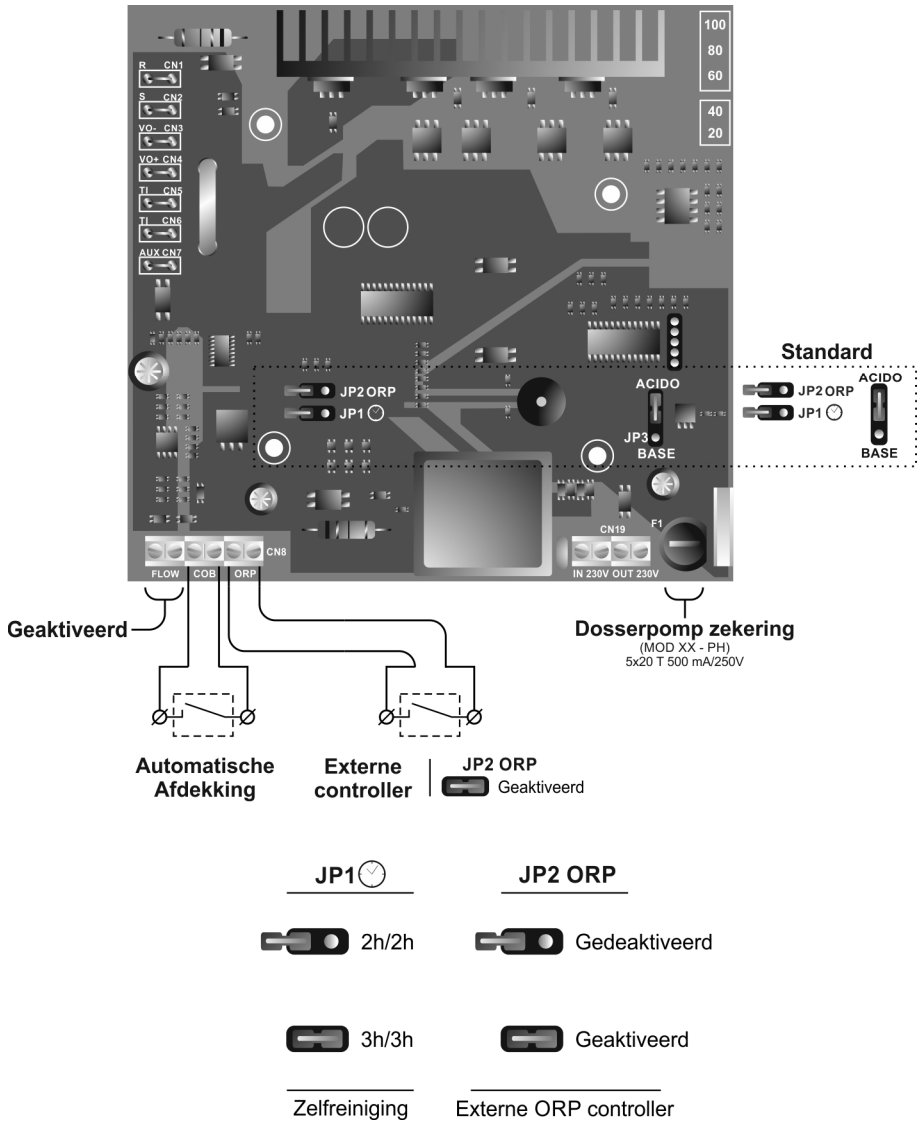


Fig. 11

#### 4.6. Puesta en marcha

1. Verzekeer u ervan dat de filter volledig schoon is en dat het zwembad en de installatie geen koper, ijzer en algen bevatten. Verder moet u er ook voor zorgen dat ieder geïnstalleerd verwarmingsapparaat geschikt is voor gebruik met zouthoudend water.

2. Breng het water in het zwembad in evenwicht. Op die manier kunnen we komen tot een efficiëntere behandeling met een lagere concentratie vrij chloor in het water, alsook een langere levensduur van de elektroden dankzij minder vorming van kalkaanslag in het zwembad.

a) De pH moet tussen 7,2-7,6 liggen.

b) De alkaliniteit moet tussen 60-120 ppm liggen.

3. Ondanks het feit dat het systeem geschikt is voor gebruik binnen een saliniteitsbereik van 5 - 12 g/l, moet u het aanbevolen optimale zoutniveau van 6 g/l trachten aan te houden door 6 kg per m<sup>3</sup> water toe te voegen als het water nog niet eerder zout bevatte. Gebruik steeds gewoon zout (natriumchloride), zonder enige additieven zoals jodiden of verdunningsmiddelen, dat geschikt is voor menselijke consumptie. Voeg het zout nooit toe via de cel. Voeg het meteen toe aan het zwembadwater of in het compensatievat (ver van de afvoer van het zwembad).

4. Indien het zwembad na toevoeging van het zout meteen gebruikt zal worden, moet u een chloorbehandeling uitvoeren. Als startdosis kunt u 2 g/m<sup>3</sup> trichloorisocyanuurzuur toevoegen.

5. Voordat u de werkcyclus in gang zet, koppelt u de voedingsbron af en laat u de pomp van het zuiveringstoestel gedurende 24 uur draaien om zeker te zijn dat het zout volledig is opgelost.

6. Daarna stelt u het zoutelektrolysesysteem in werking, waarvan u het productieniveau zodanig instelt, dat het vrij-chloorniveau binnen de aanbevolen waarden behouden blijft (0,5 - 1,5 ppm).

OPM.: om het vrij-chloorniveau te kunnen bepalen, zal u een analysekit nodig hebben.

7. In zwembaden met een sterke zonne-instraling of zwembaden die intensief worden gebruikt, is het raadzaam om het stabilisatorniveau (isocyaanzuur) op 25-30 g/m<sup>3</sup> te houden. In geen geval mag dit niveau 75 g/m<sup>3</sup> overschrijden. Dit zal helpen om te vermijden dat het vrije chloor in het water vernietigd wordt onder invloed van het zonlicht.

## 5. WERKING



### 5.1. Sistema detenido

Het systeem gaat in “WACHT”-modus wanneer achtereenvolgens de toets “**POWER SELECTOR**” [2] wordt ingedrukt totdat de led bij “0 %” blijft knipperen. In dat geval vindt er geen productie plaats in de elektrolysecel.

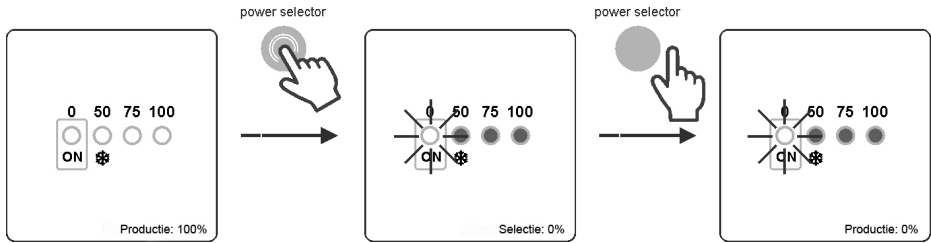


Fig. 12

### 5.2. Selectie van het productieniveau

Om het gewenste productieniveau te selecteren, drukt u achtereenvolgens de toetsen “**POWER SELECTOR**” [2] in totdat de overeenstemmende led van het gewenste productieniveau blijft knipperen. Na verloop van enkele seconden zal het systeem zijn productie op het geselecteerde niveau instellen.

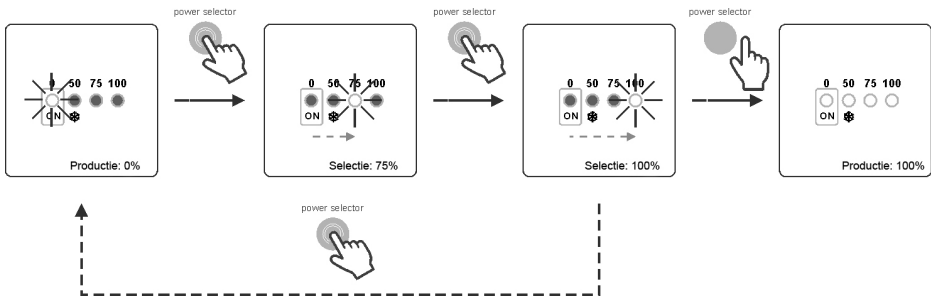


Fig. 13

Het geprogrammeerde productie-setpoint kan op elk ogenblik worden geraadpleegd door eenmaal toets “**POWER SELECTOR**” [2] in te drukken. De led die overeenkomt met het geprogrammeerde productieniveau knippert enkele seconden lang. Na deze tijd geeft de productie-indicator het huidige productieniveau aan.



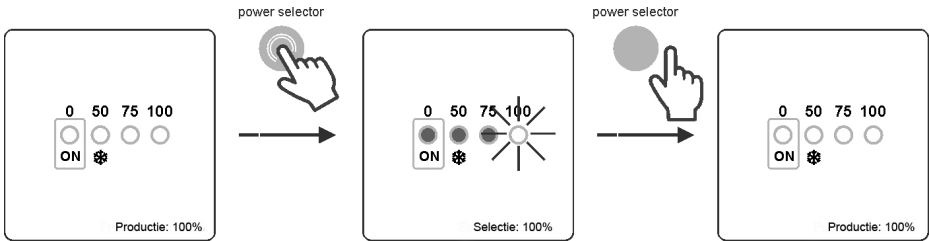


Fig. 14



**WINTER-modus:** in periodes waarin het water een lage temperatuur heeft en waarin de vraag naar chloor laag is, selecteert u een productieniveau [1] van **50%**; zo optimaliseert u het elektriciteitsverbruik en de levensduur van de elektrodenet.

### 5.3. TEST-modus

Om in TEST-modus te gaan, moet u het productieniveau verminderen tot **POWER SELECTOR** [2] in te drukken (Fig. 15)

Zodra het systeem is gestopt, houdt u deze zelfde toets gedurende 10 seconden ingedrukt. Het systeem zal aangeven dat het in TEST-modus gaat door alle leds gedurende een seconde te laten branden.

Zodra het systeem in TEST-modus is, beginnen de leds die de **POWER SELECTOR** [2]. polariteit aangeven, te knipperen.

Wanneer het systeem in de testmodus, de intensiteit van de LED "0%" wordt opeenvolgend variëren.

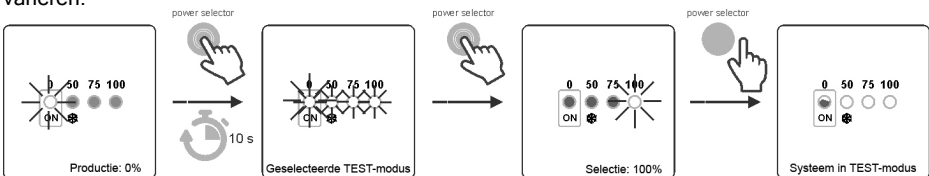


Fig. 15

In TEST-modus gaat het systeem over tot een reset van de timer voor de polariteitswissel en van het geselecteerde productieniveau. In deze modus is het systeem volledig operationeel, want het voert **om de 2 minuten** de polariteitsinversies van de elektroden uit. Om de TEST-modus te verlaten, zal de voeding van het apparaat gedurende enkele seconden afgekoppeld moeten worden. Zodra de voeding daarna opnieuw wordt aangekoppeld, keert het systeem automatisch terug naar het eerdere programma voor zelfreiniging.

## 5.4. Alarmen

### • HOOG ZOUTNIVEAU

Indien u teveel zout hebt toegevoegd, zal de voedingsbron het vermogensniveau in functie van de selectie automatisch verminderen. Het controlelichtje "SALT" [3] zal blijven branden. In dat geval laat u een deel van het zwembadwater weglopen (bv. 10%) en voegt u vers water toe om de zoutconcentratie te verminderen. Om het precieze zoutgehalte te kennen, raden wij het gebruik van een draagbare zoutgehalte/temperatuurmeter aan.

### • LAAG ZOUTNIVEAU

- Indien het zoutgehalte in het zwembadwater lager ligt dan de aanbevolen waarde, zal de voedingsbron er niet in slagen om het geselecteerde saliniteitsniveau te bereiken. Het controlelichtje "SALT" [3] begint te knipperen. Als de watertemperatuur onder 20°C daalt of als de elektrodenst aan het eind van zijn levensduur is gekomen, is het mogelijk dat het systeem een zoutwaarde aangeeft die onder de reële waarde ligt. In dat geval moet u het saliniteitsniveau van het water bepalen en de benodigde hoeveelheid zout toevoegen. Het aangegeven type gewoon zout (NaCl) voor de zoutelektrolyse mag geen additieven bevatten (verdunningsmiddelen, jodiden) en moet geschikt zijn voor menselijke consumptie. Om het precieze zoutgehalte te kennen, raden wij het gebruik van een draagbare zoutgehalte/temperatuurmeter aan.

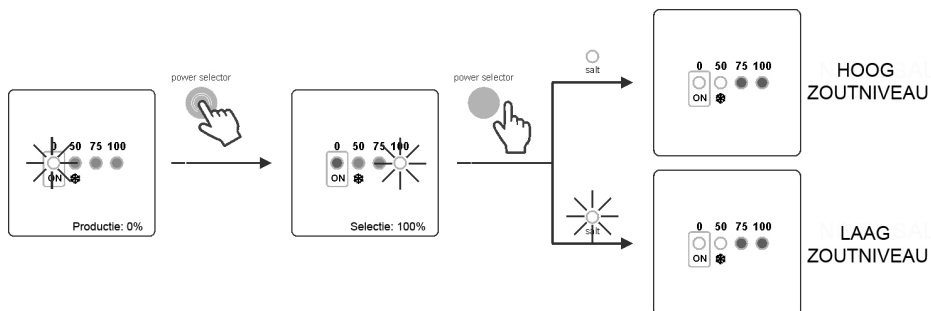


Fig. 16

### • WATERNIVEAU IN DE CEL / DEBIETMETER (GAS)

Indien er zich op enig moment een lucht- of gasbel vormt in het bovenste gedeelte van de elektrolysecel en de DEBIETMETER niet langer ondergedompeld is, zal het systeem automatisch de stroomuitgang naar de elektroden afkoppelen, waardoor alle leds op het bedieningspaneel blijven knipperen. Het systeem zal automatisch opnieuw inschakelen zodra het water opnieuw vrij naar de cel kan stromen of de lucht-/gasbel verdwenen is.

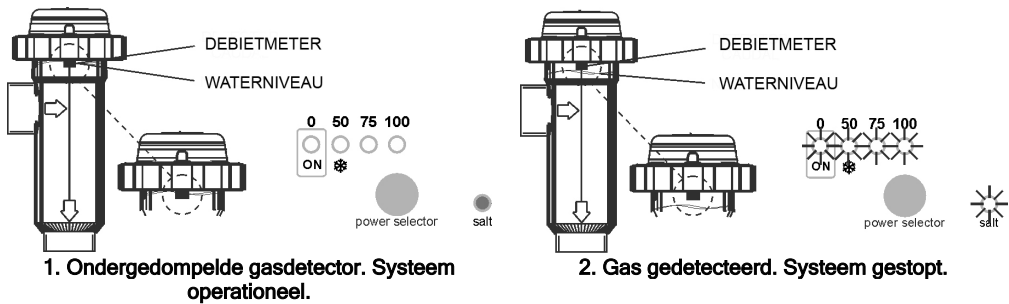


Fig. 17

- **EXTERNE BEDIENING [JP2] GEACTIVEERD**

Wanneer de externe controller een waarde vaststelt hoger dan het ingestelde setpoint, wordt de productie automatisch afgekoppeld en begint de led "0%" van de productieschaal [1] met tussenpozen te knipperen.

## 6. ONDERHOUD

---

### 6.1. Onderhoud van de elektrolysecel

De cel moet aangepast worden onderhouden om een lange werkingsduur te verzekeren. Het zoutelektrolysesysteem beschikt over een automatisch reinigingssysteem voor de elektroden om te vermijden dat er zich kalkaanslag op vormt, want het is niet mogelijk te voorzien wanneer een reiniging van de elektroden nodig is. Als het echter toch noodzakelijk zou zijn om de binnenkant van de cel te reinigen, dient u als volgt te werk te gaan:

1. Koppel de voedingsbron (230 V AC) van het apparaat af.
2. Draai de sluitmoer los aan het uiteinde waar de elektroden met elkaar in contact komen en verwijder de elektroden set.
3. Gebruik een verdunde zoutzuuroplossing (1 deel zuur in 10 delen water), waarin u de elektroden set gedurende maximaal 10 minuten onderdompelt.
4. DE CEL OF DE ELEKTRODEN NOOIT KRASSEN OF SCHAVEN.

De elektroden van een zoutelektrolysesysteem bestaan uit plaatjes in titanium, gecoat met een laag edelmetaaloxides. De elektrolyseprocessen die zich op het oppervlak voordoen, zorgen voor een geleidelijke slijtage; bijgevolg dient u rekening te houden met de volgende aspecten om de levensduur ervan te optimaliseren:

1. Ofschoon het hier gaat om ZELFREINIGENDE zoutelektrolysesystemen, kan een langer gebruik van het systeem bij pH-waarden van meer dan 7,6 in water met een verhoogde hardheid ertoe leiden dat er zich kalkaanslag ophoopt op het oppervlak van de elektroden. Deze kalkaanslag zorgt voor een geleidelijke verslechtering van de coating, waardoor de levensduur van de elektroden vermindert.
2. Ook het frequent reinigen/wassen van de elektroden (zoals eerder beschreven) zal de levensduur inkorten.
3. Wanneer het systeem langdurig wordt gebruikt bij saliniteitwaarden van minder dan 3 g/l, kunnen de elektroden voortijdig beschadigd raken.
4. Frequent gebruik van algenbestrijdingsmiddelen met een hoog kopergehalte kan precies leiden tot de vorming van een dergelijke aanslag op de elektroden, waardoor de coating geleidelijk aan beschadigd raakt. Bedenk dat chloor het beste middel is ter bestrijding van algen.

## 7. PROBLEMEN / OPLOSSINGEN

Bij iedere actie die vereist is om mogelijke problemen in het apparaat op te lossen, moet altijd eerst de aansluiting met het elektriciteitsnet worden verbroken. Problemen die niet voorkomen in de onderstaande lijst, dienen opgelost te worden door een gekwalificeerd technicus.

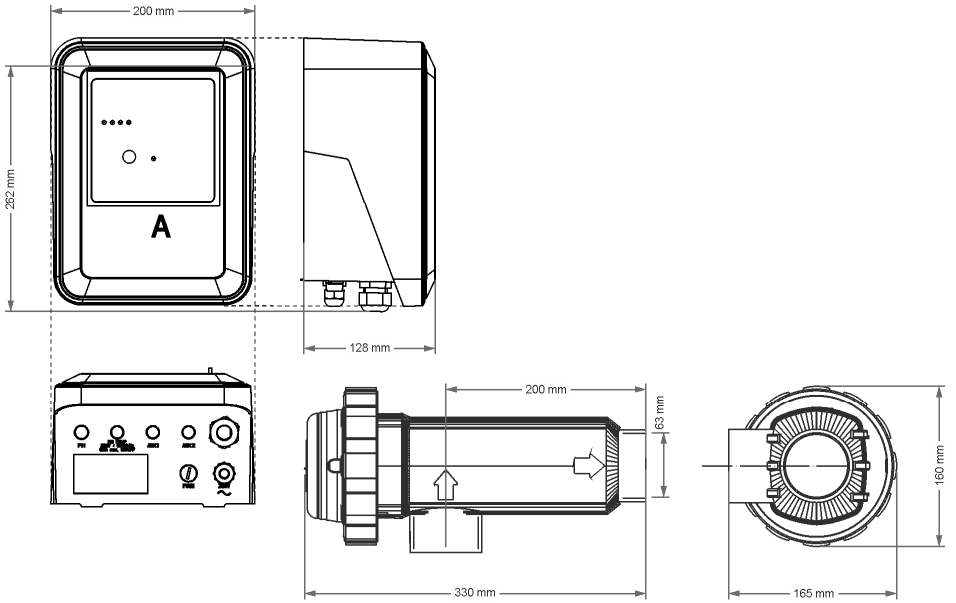
PROBLEEM	OPLOSSING
<b>De productie-indicator geeft altijd "0" aan, ongeacht het geselecteerde productieniveau</b>	<p>De elektroden controleren.</p> <p>De verbindingen tussen de voedingsbron en de elektrolysecel controleren.</p> <p>De zoutconcentratie controleren.</p>
<b>De voedingsbron schakelt niet aan</b>	<p>Controleren of het systeem correct is aangesloten op 230 V/50-60 Hz in de schakelkast van het zwembad.</p> <p>De stand van de zekering in het onderste gedeelte van het apparaat controleren.</p>
<b>De vrije chloorniveaus in het water zijn te laag</b>	<p>Controleren of het systeem chloor produceert in de impulselementen.</p> <p>Controleren of de chemische parameters van het water (pH, gecombineerd chloor, isocyaanzuur) correct zijn.</p> <p>De filtertijd verhogen.</p> <p>Chloorstabilisator (cyaanzuur) toevoegen tot een niveau van 25 - 30 g/m<sup>3</sup> is bereikt.</p>

## 8. TECHNISCHE KENMERKEN

TECHNISCHE SPECIFICATIES:	
<b>Standaard bedrijfsspanning</b> 230V AC - 50/60 Hz. Cable: MOD. 12 MOD. 21	3x1.0 mm <sup>2</sup> , 2 m. 0.4 A 0.4 A
<b>Zekering</b> MOD. 12 MOD. 21	2 AT (5x20 mm) 2 AT (5x20 mm)
<b>Uitgangsspanning</b> Kabel MOD. 12 MOD. 21	3x2.5 mm <sup>2</sup> , 2 m. 10.5 VDC / 6.0 A 23.0 VDC / 3.5 A
<b>Productie</b> MOD. 12 MOD. 21	10 ... 12 g/h 17 ... 21 g/h
<b>Min. recirculatiedebit</b> MOD. 12 MOD. 21	2 m <sup>3</sup> /h 3 m <sup>3</sup> /h
<b>Aantal elektroden</b> MOD. 12 MOD. 21	5 7
<b>Nettogewicht (verpakking inbegrepen)</b> MOD. 12 MOD. 21	6.5 Kg. 8.5 Kg.

ALGEMENE KENMERKEN:
<b>Controlesysteem</b> <ul style="list-style-type: none"> <li>• Microprocessor</li> <li>• Membraantoetsenbord met bedieningsdrukknoppen en indicator-leds voor de werking</li> <li>• Bedieningsin-/uitgangen: 2 ingangen van het type spanningsloos contact voor de status automatische afdekking en controller voor ORP/resterend chloor.</li> <li>• Celuitgang: productiecontrole</li> <li>• Zoutbereik / Temperatuurbereik 3 - 12 g/l / +15 - 40 °C</li> </ul>
<b>Zelfreiniging</b> <p>Automatisch, via polariteitsinversie</p>
<b>Werktemperatuur</b> <p>van 0°C tot +50°C            Koeling via natuurlijke convectie</p>
<b>Materiaal</b> <ul style="list-style-type: none"> <li>• Voedingsbron ABS</li> <li>• Elektrolysecel en sondehouder Transparant methacrylaat</li> </ul>

# Afmetingen



## **9. GARANTIEVOORWAARDEN**

---

### **9.1. ALGEMENE ASPECTEN**

- 9.1.1. In overeenstemming met deze bepalingen garandeert de verkoper dat het product waarvoor deze garantie geldt, op het ogenblik van de levering geen conformiteitsgebreken vertoont.
- 9.1.2. De totale garantieperiode bedraagt 2 JAAR.
- 9.1.3. De garantieperiode loopt vanaf het ogenblik waarop het product aan de koper wordt geleverd. Voor de elektrode geldt een garantieperiode van 2 JAAR (of 3000 uren), zonder verlengingen. Voor de pH-sensoren geldt een garantieperiode van 6 MAANDEN, zonder verlengingen.
- 9.1.4. Indien er zich een probleem stelt met betrekking tot de conformiteit van het product en de koper laat dit tijdens de garantieperiode weten aan de verkoper, dan zal de verkoper het product voor eigen rekening moeten herstellen of vervangen, afhankelijk van wat hij opportuun vindt, tenzij dit onmogelijk of buiten proportie is.
- 9.1.5. Wanneer het product niet hersteld of vervangen kan worden, kan de koper een korting aanvragen in verhouding tot de prijs of, als het conformiteitsprobleem voldoende belangrijk is, de verbreking van de verkoopovereenkomst.
- 9.1.6. De onderdelen die krachtens deze garantie vervangen of hersteld zijn, zorgen niet voor een uitbreiding van de garantietermijn van het originele product, maar er geldt wel een eigen garantie voor deze onderdelen.
- 9.1.7. Deze garantie kan pas ingeroepen worden, nadat de koper de datum van aankoop en levering van het product heeft aangetoond met de nodige bewijsdocumenten.
- 9.1.8. Wanneer er meer dan zes maanden verlopen zijn sinds de levering van het product aan de koper en het aangehaalde conformiteitsprobleem met het product, zal de koper de oorsprong en het bestaan van het vermelde defect moeten aantonen.
- 9.1.9. Dit garantiecertificaat vormt geen beperking of vooroordeel met betrekking tot de consumentenrechten krachtens de bindende nationale normen.

### **9.2. BIJZONDERE VOORWAARDEN**

- 9.2.1. Deze garantie is pas rechtsgeldig als de koper de aanwijzingen van de fabrikant vermeld in de documentatie bij het product strikt opvolgt, wanneer dat van toepassing blijkt volgens het gamma of het model van het product.
- 9.2.2. Wanneer een specifieke planning is opgesteld voor de vervanging, het onderhoud of de reiniging van bepaalde onderdelen of componenten van het product, zal de garantie enkel gelden als deze planning correct is gevolgd.

### **9.3. BEPERKINGEN**

- 9.3.1. Deze garantie zal enkel gelden voor verkopen aan consumenten, waarbij men met "consument" iedere persoon bedoelt die het product aankoopt voor andere dan professionele doeleinden.
- 9.3.2. Er wordt geen garantie verleend voor normale slijtage die te wijten is aan het gebruik van het product, noch voor vervangbare of verbruikbare onderdelen, componenten en/of materialen (met uitzondering van de elektrode).



- 9.3.3. De garantie geldt niet voor gevallen waarbij het product: (i) foutief is gebruikt; (ii) gecontroleerd, hersteld, onderhouden of gebruikt is door niet daartoe gemachtigde personen; (iii) hersteld of onderhouden is met andere dan originele onderdelen en (iv) op een verkeerde manier is geïnstalleerd of in werking gesteld.
- 9.3.4. Wanneer het conformiteitsprobleem van het product het gevolg is van een verkeerde installatie of ingebruikstelling, zal deze garantie enkel kunnen worden aangesproken wanneer de bedoelde installatie of ingebruikstelling opgenomen was in een koopovereenkomst betreffende het product en gerealiseerd werd door de verkoper of op diens verantwoordelijkheid.
- 9.3.5. Schade aan of storingen in het product die het gevolg zijn van een van de volgende oorzaken:
- Onaangepaste systeemprogrammering en/of kalibratie van de pH/ORP-sensoren door de gebruiker.
  - Werking bij saliniteitswaarden van minder dan 3 g/l natriumchloride en/of temperaturen onder 15°C of boven 40°C.
  - Werking bij een pH-waarde van meer dan 7,6.
  - Expliciet gebruik van niet-toegelaten chemicaliën.
  - Blootstelling aan corrosieve omgevingen en/of temperaturen onder 0°C of boven 50°C.

## 10. CE-VERKLARING VAN OVEREENSTEMMING \_\_\_\_\_

Het volgende assortiment zoutelektrolysesystemen is gecertificeerd voor het uiteindelijke gebruik in zwembaden:

Gecertificeerde producten:

**SCG60 (MOD.12), SCG100 (MOD.21).**

De bovengenoemde producten zijn in overeenstemming met de volgende CE- en standaardrichtlijnen:

- Laagspanningsrichtlijn (LVD) 2014/35 / EU.
- Richtlijn elektromagnetische compatibiliteit (EMC) 2014/30 / EU.
- RoHS-richtlijn 2011/65 / EC

I.D. ELECTROQUIMICA, S.L.  
Pol. Ind. Atalayas, c./ Dracma R-19  
E-03114 Alicante  
España

Gaspar Sánchez  
Gerente

Fecha: 01/02/2017

**IMPORTANTE:** O manual de instruções que você tem nas mãos contém informação fundamental sobre as medidas de segurança a tomar ao realizar a instalação e a colocação em funcionamento. Por isso, é imprescindível que tanto o instalador como o utilizador leiam as instruções antes de realizar a montagem e a colocação em funcionamento. Guarde este manual para futuras consultas sobre o funcionamento deste aparelho.



## Eliminação de resíduos de sistemas domésticos eléctricos e electrónicos na União Europeia.

Todo o produto marcado com este símbolo indica que não pode ser eliminado juntamente com o resto dos resíduos domésticos quando termina a sua vida útil. É da responsabilidade do utilizador eliminar este tipo de resíduo, depositando num local adequado para a reciclagem de resíduos eléctricos e electrónicos. O tratamento e reciclagem adequados destes resíduos contribui de forma essencial para a preservação do Meio Ambiente e saúde dos utentes. Para obter uma informação mais precisa sobre os pontos de recolha deste tipo de resíduos, deve contactar com as autoridades locais.

Nas instruções deste manual descreve-se o funcionamento e manutenção dos sistemas de Electrólise Salina. Para conseguir um óptimo rendimento dos Sistemas de Electrólise Salina observe as instruções indicadas abaixo:

## 1. VERIFIQUE O CONTEÚDO DA EMBALAGEM: \_\_\_\_\_

Dentro da caixa encontrará os seguintes acessórios:

- Fonte de alimentação.
- Célula de electrólise.
- Manual de Operação.

## 2. CARACTERISTICAS GENERALES: \_\_\_\_\_

Uma vez instalado o seu sistema de Electrólise Salina é necessário dissolver uma quantidade de sal na água. Esta água salina circula através da célula de electrólise situada no depurador. O sistema de Electrólise Salina compõe-se por dois elementos: uma célula de electrólise e uma fonte de alimentação. A célula de electrólise contém um número determinado de pontos de titânio (eléctrodos), de modo que, ao fazer circular uma corrente eléctrica e enquanto a solução salina passa através dos mesmos, produz-se cloro livre. A manutenção de certo nível de cloro na água da piscina garantirá a qualidade sanitária. Um sistema de Electrólise Salina produzirá cloro quando o sistema de recirculação da piscina (bomba e filtro) estão operativos.

A fonte de alimentação conta com vários dispositivos de segurança, os quais se activam em caso de funcionamento anómalo do sistema, bem como com um micro-controlador de controlo. Os sistemas de Electrólise Salina contam com de um sistema automático de limpeza dos eléctrodos que evita a formação de incrustações nos mesmos

### 3. ADVERTÊNCIAS DE SEGURANÇA E RECOMENDAÇÕES: \_\_\_\_\_

- O sistema deve ser instalado e manipulado pelo pessoal qualificado.
- É necessário respeitar as normas em vigor eléctricas e para a prevenção de acidentes.
- O fabricante não se responsabiliza em nenhum caso pela montagem, instalação ou colocação em funcionamento, nem por qualquer manipulação ou instalação de componentes que não tenham sido efectuados nas suas instalações.
- Os sistemas de Electrólise Salina funcionam a 230 Vac, 50/60 Hz. Não tente alterar o sistema para operar com outra voltagem.
- Certifique-se de que as conexões estão firmes para evitar falsos contactos, com o conseguinte sobreaquecimento dos mesmos.
- Antes de proceder à instalação ou a substituição de um componente, desligar o aparelho da rede eléctrica, e use exclusivamente peças fornecidas pelo fabricante. Este equipamento produz calor, portanto, deve ser instalado num lugar bem ventilado e com as aberturas de ventilação livres de qualquer elemento que as possa obstruir. Não deve ser instalado perto de materiais inflamáveis.
- Os sistemas de Electrólise Salina dispõem de um grau de protecção IP24. Não devem ser instalados em nenhum caso em lugares expostos a inundações.

### FONTE DE ALIMENTAÇÃO:

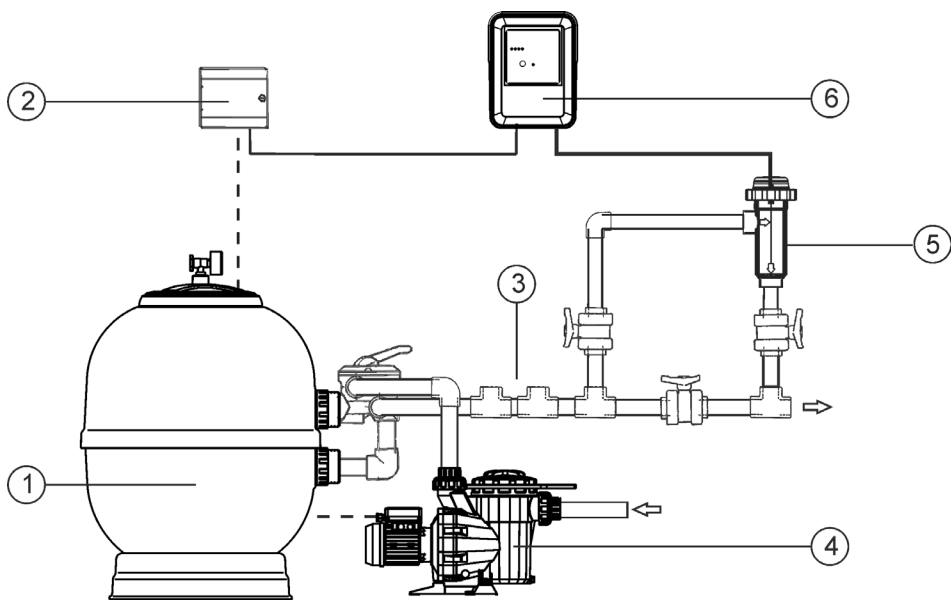
DESCRIÇÃO	MODELO	
	SCG60 (MOD.12)	SCG100 (MOD. 21)
Tensão de serviço	230 V AC, 50 Hz./60 Hz.	
Saída (dc)	6 A x 2	3.5 A x 6
Produção (g/h)	10 - 12	17 - 21
Capacidade piscina (m <sup>3</sup> ) Temperado: 16 - 24°C Quente: +25°C	60 50	100 80
Detector de fluxo	Detector de gás	
Margem Salinidade / Temperatura	5 ... 12 g./l. / +15 ... 40°C	
Eléctrodos	Titânio com revestimento AUTO-LIMPANTE Tempo de vida previsto: 8.000 - 10.000 horas de funcionamento (de acordo com a qualidade de água)	
Controlo de produção	0 - 50 - 75 - 100 % ( 3 níveis de produção)	
Inversão de polaridade	Programável 2 <sup>(1)</sup> / 3 horas (jumper na placa de controlo) + modo teste	
Protecção nível de sal	Protecção automática de produção	

<sup>(1)</sup> Configuração de fábrica.

<sup>(2)</sup> Em condições ideais: salinidade (6 g / l), pH (7,2), dureza da água (120 mg / l) e vazão mínima.

## CÉLULA DE ELECTRÓLISE

DESCRIÇÃO	MODELO	
	SCG60 (MOD.12)	SCG100 (MOD. 21)
Fluxo mínimo	2 m <sup>3</sup> /h	3 m <sup>3</sup> /h
Número de eléctrodos	5	7
Material	Polímero da família do metacrilato.	
Conexão	Com adesivo para tubo PVC Ø 63 mm.	
Pressão máxima recomendada	1 Kg./cm <sup>2</sup>	
Temperatura funcionamento	Menor que 40°C	



- |  |                            |
|--|----------------------------|
| 1.- Filtro.  | 4.- Bomba.                 |
| 2.- Painel de controle.                                  | 5.- Célula de electrólise. |
| 3.- Outros equipamentos (permutador de calor, UV, etc.). | 6.- Fonte de alimentação.  |

Fig.1 Diagrama de instalação recomendada

## 4. INSTALAÇÃO:

### 4.1. Instalação da fonte de alimentação

Instalar sempre a FONTE DE ALIMENTAÇÃO do sistema de electrólise salina de modo VERTICAL e numa superfície (parede) rígida, tal como se indica no esquema de instalação recomendada (Figs. 1). Para garantir o seu bom estado de conservação, é preciso instalar sempre o equipamento num lugar seco e bem ventilado. O grau de estanquidade da FONTE DE ALIMENTAÇÃO do sistema de electrólise salina não permite a sua instalação à intempérie. A FONTE DE ALIMENTAÇÃO preferivelmente, deve ser instalada o suficientemente afastada da célula de electrólise, por forma a que não possa sofrer salpicaduras de água de forma accidental.

### Atenção



De maneira especial, evite a formação de ambientes corrosivos devidos às soluções redutoras do pH (especificamente as formuladas com ácido clorídrico "HCl"). Não instale o sistema de electrólise salina perto de lugares de armazenamento destes produtos. Recomendamos veementemente o uso de produtos com base de bisulfato sódico ou ácido sulfúrico diluído. A conexão da fonte de alimentação à rede eléctrica deve ser efectuada no quadro de manobra do depurador, por forma que a bomba e o sistema de electrólise salina sejam conectados de forma simultânea.

### 4.2. Instalação da célula de electrólise

A célula de electrólise deve ser instalada num lugar protegido da intempérie e **sempre atrás do sistema de filtração**. No caso de existência de outros dispositivos na instalação como bombas de calor, sistemas de controlo, etc.; estes deverão sempre ser colocados antes do sistema de electrólise.

A célula de electrólise sempre deve ser situada num ponto da tubagem que possa ser isolado do resto da instalação por meio de duas válvulas, de modo que se possam efectuar as tarefas de manutenção da mesma sem a necessidade de esvaziar total ou parcialmente a piscina.

No caso de a célula seja instalada em by-pass (opção recomendada), dever-se-á introduzir uma válvula que regule o fluxo através da mesma. Antes de proceder com a instalação definitiva do sistema é preciso levar em consideração as seguintes observações:

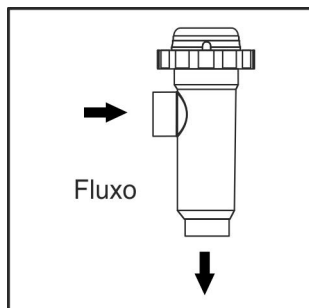


Fig. 2

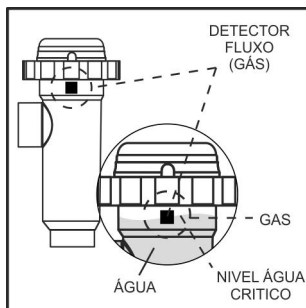


Fig. 3

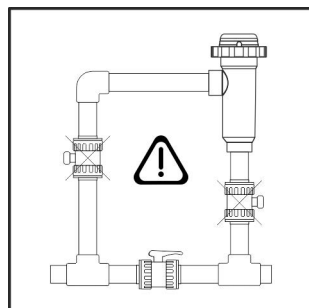


Fig. 4

1. É preciso respeitar o sentido de fluxo marcado na célula. O sistema de recirculação deve garantir o fluxo mínimo indicado na Tabela de Especificações Técnicas (ver Secção 8).

2. O sistema detector de fluxo activa-se no caso de que não haja recirculação (fluxo) de água através da célula ou no caso de que este seja muito baixo. A não evacuação do gás de electrólise gera uma bolsa que isola electricamente o eléctrodo auxiliar (detecção electrónica). Portanto, ao introduzir os eléctrodos na célula, a sonda de nível (eléctrodo auxiliar) deverá situar-se na parte superior da mesma. A disposição mais segura é a indicada no esquema de instalação recomendada.

3. **ATENÇÃO:** o detector de fluxo não funcionará correctamente, com o conseqüente risco de ruptura da célula, se se fecharem simultaneamente as válvulas de entrada e saída dos tubos onde está instalada a célula de electrólise. **Embora seja uma situação extremamente inusual, é possível evitá-la bloqueando, uma vez instalado o equipamento, a válvula de retorno à piscina,** de modo que não possa ser manipulada acidentalmente.

Outras instalações seriam só aceitáveis se permitem a detecção de fluxo fraco ou nulo.

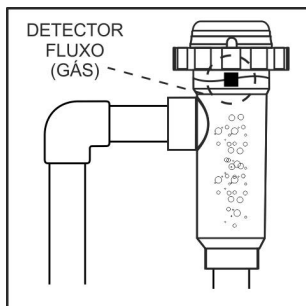


Fig. 5

**Instalação RECOMENDADA**

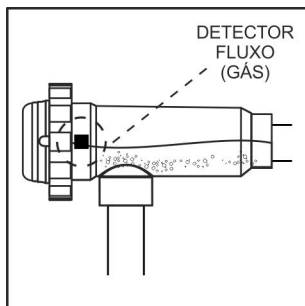


Fig. 6

**Instalação PERMITIDA**

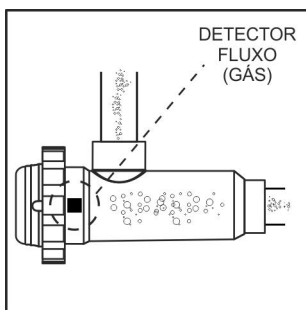


Fig. 7

**Instalações NÃO PERMITIDAS**

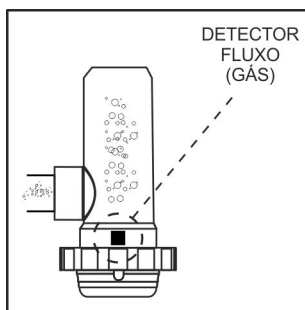
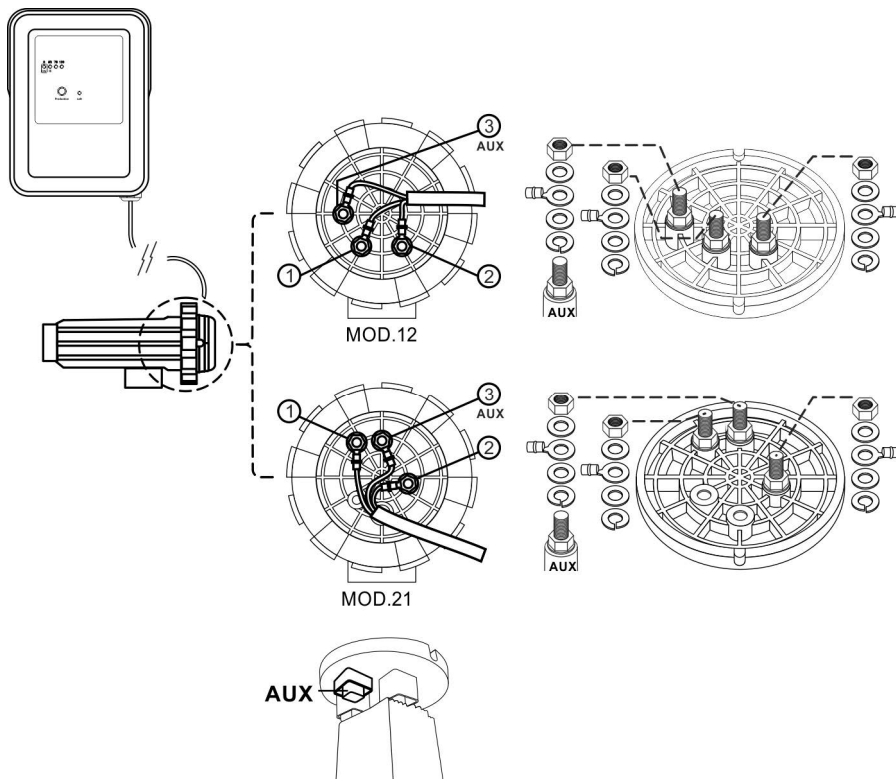


Fig. 8

### 4.3. Conexões eléctricas da célula de electrólise

Realizar a ligação entre a célula de electrólise e a fonte de alimentação de acordo com o seguinte esquema. Em virtude da intensidade relativamente elevada da corrente que circula pelos cabos de alimentação da célula de electrólise, em nenhuma hipótese deverá modificar o comprimento ou secção dos mesmos sem fazer uma consulta prévia ao seu distribuidor autorizado. O cabo de conexão célula de eletrólise-fonte de alimentação nunca deve exceder o comprimento máximo recomendado neste Manual: **MOD.12 (6 A), 8 m.;** **MOD.21 (3.5 A), 30 m.**

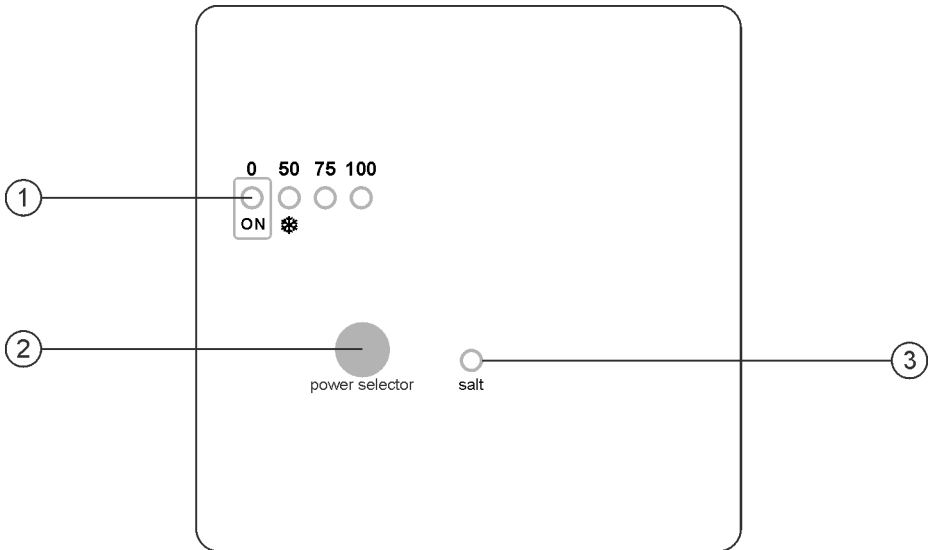


- 1.- Eléctrodo 1 (vermelho)
- 2.- Eléctrodo 2 (vermelho)
- 3.- Detector fluxo (amarelo)

Fig.9

#### 4.4. Controles e indicadores

Os sistemas de electrólise salina estão equipados com um painel de controlo situado na sua frente (Fig. 10).



1.- Escala de produção (%)

Escala	Produção	Alcance
	Sistema de espera	
	0 %	0 ... 5%
	25 %	5 ... 35%
	50 %	35 ... 55%
	75 %	55 ... 80%
	100 %	80 ... 100%

2.- Tecla **seleção de nível de produção**

3.- ALARME SALINIDADE (elevada/baixa)

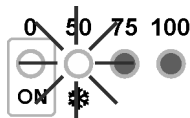
Fig. 10. Painel de controlo sistemas MOD. XX



#### 4.5. Programação e controlo

Além das operações básicas, o Sistema de Electrólise de Sal dispõe de uma entrada para o controlo externo através de um controlador ORP, cloro residual, etc.; bem como uma para o ajuste da produção do equipamento ao se activar a cobertura automática da piscina. Além disso, permite a configuração de três modos de AUTOLIMPEZA dos eléctrodos: TESTE, 2/2, 3/3 horas.

- **Sistema de AUTOLIMPEZA DOS ELÉCTRODOS:** A frequência de inversão pode-se seleccionar através do jumper "JP1" situado na placa de controlo do sistema (Fig. 11). Esta configuração ficará efetiva quando o equipamento seja desconectado e conectado novamente.
- **Controlo COBERTURA AUTOMÁTICA:** o sistema dispõe de uma entrada para contacto sem tensão. Quando o contacto está ligado a esta entrada, fecha-se (a cobertura automática FECHADA), o sistema de electrólise reduz a sua produção **10%** do seu valor nominal (a luz "50%" da escala de produção vai manter-se iluminada).



- **Controlo EXTERNO:** o sistema dispõe de uma entrada auxiliar adicional para contacto sem tensão. Esta entrada pode ser utilizada para fazer interagir o sistema de electrólise com um controlador externo (ORP, CLORO RESIDUAL, FOTÓMETRO, etc.) Quando o contacto está ligado a esta entrada está ABERTO, o sistema de electrólise pára. Para activar esta entrada deverá colocar-se o jumper "JP2" situado na placa de controlo da unidade. Esta configuração ficará efetiva quando o equipamento seja desconectado e conectado novamente.

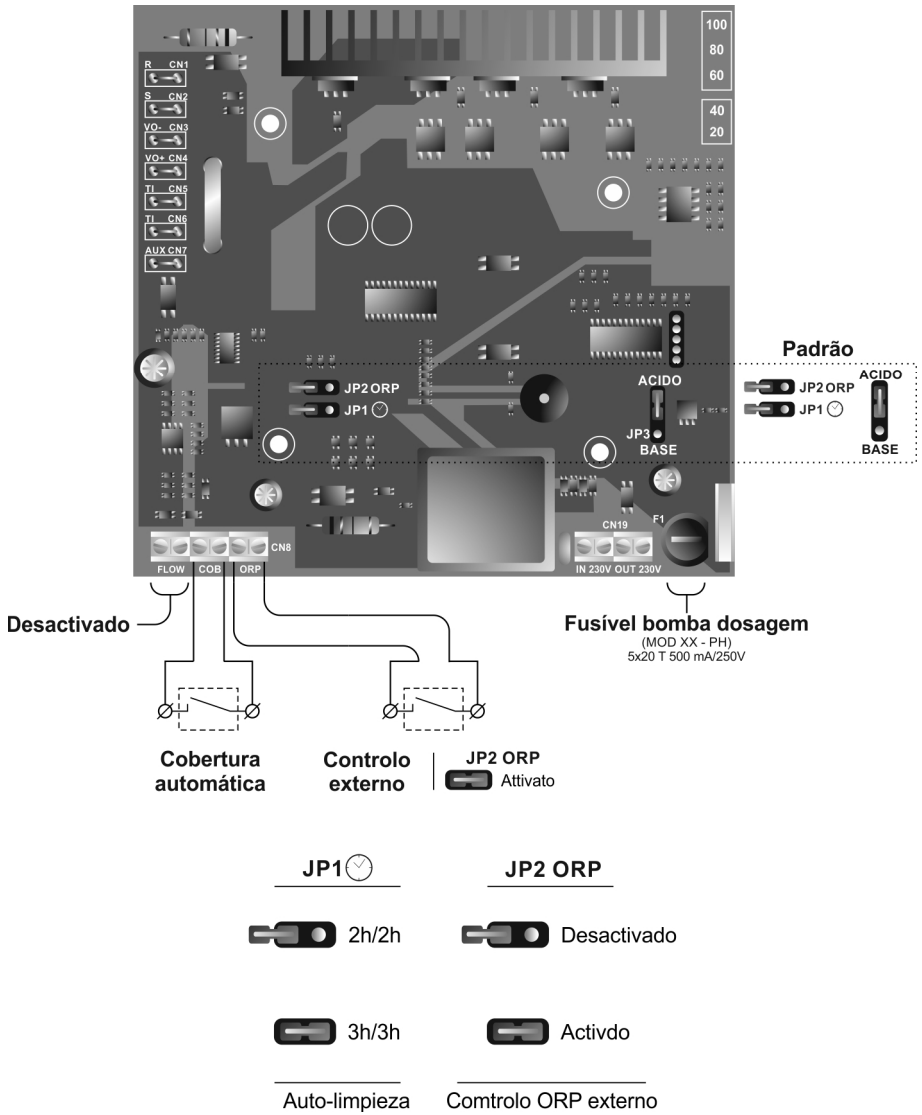


Fig. 11

#### 4.6. Início

1. Assegurar-se de que o filtro esteja limpo a 100%, e de que a piscina e a instalação não contenham cobre, ferro e algas, bem como certificar-se de que todos os equipamentos de aquecimento instalados são compatíveis com a presença de sal na água.

2. Equilibrar a água da piscina. Isto nos permitirá obter um tratamento mais eficiente com a menor concentração de cloro livre na água, bem como um funcionamento mais prolongado dos eléctrodos além de uma menor formação de depósitos calcários na piscina.

a) O pH deve ser de 7.2-7.6

b) A alcalinidade total deve ser de 60-120 ppm.

3. Ainda que o sistema de electrólise salina possa trabalhar num intervalo de salinidade de 5 - 12 g/l., deve-se tentar manter o nível de sal no nível mínimo recomendado de 6 g/l, acrescentando 6 Kg. por cada m<sup>3</sup> de água se a água não contiver previamente sal. Utilizar sempre sal comum (cloreto de sódio), sem aditivos como iodetos ou anti-espessantes, e com qualidade apta para consumo humano. Não adicionar nunca o sal através da célula. Aplicá-lo directamente na piscina ou no tanque de compensação (longe do ralo da piscina).

4. Ao acrescentar o sal, e no caso de que a piscina seja utilizada de forma imediata, efectuar um tratamento com cloro. Como dose inicial, é possível acrescentar 2 g/m<sup>3</sup> de ácido tricloro-isocianúrico.

5. Antes de iniciar o ciclo de trabalho, desligue a fonte de alimentação e coloque a bomba do depurador em funcionamento durante 24 horas para garantir a completa solução do sal.

6. Depois coloque o sistema de electrólise salina em funcionamento, situando o nível de produção do mesmo, de modo que se mantenha o nível de cloro livre dentro dos níveis recomendados (0.5 - 1.5 ppm).

**NOTA:** para poder determinar o nível de cloro livre é preciso empregar um kit de análise.

7. Em piscinas com forte insolação ou utilização intensiva, é aconselhável manter um nível de 25-30 g/m<sup>3</sup> de estabilizante (ácido isocianúrico). Em nenhuma hipótese poderá superar o nível de 75 g/m<sup>3</sup>. Isto será de grande ajuda para evitar a destruição do cloro livre presente na água pela acção da luz solar.

## 5. FUNCIONAMIENTO: \_\_\_\_\_



### 5.1. Sistema parado

O sistema entra no modo “EM ESPERA” quando se prime sucessivamente a tecla “POWER SELECTOR” [2] até que o indicador “0%” fica a piscar. Nesta situação não existe produção na célula de electrólise.

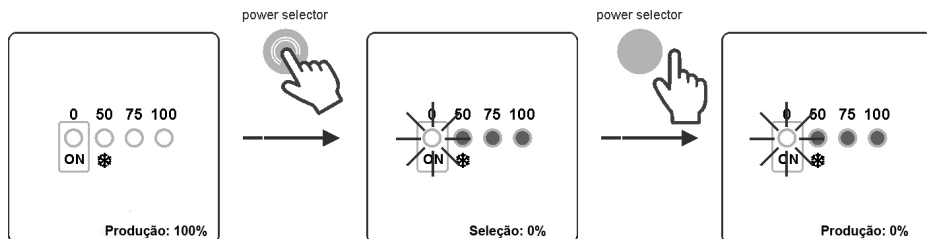


Fig. 12

### 5.2. Seleção do nível de produção

Para seleccionar o nível de produção desejado, prima sucessivamente as teclas “POWER SELECTOR” [2] até que a luz correspondente ao nível de produção desejado fique a piscar. Passados alguns segundos, o sistema colocará a sua produção no nível seleccionado.

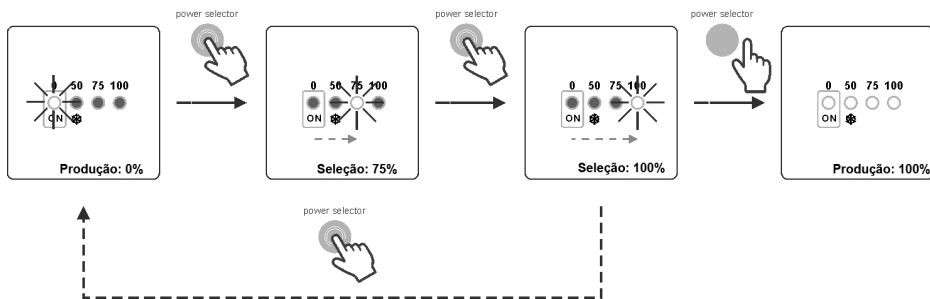


Fig. 13

O setpoint de produção programado pode ser exibido a qualquer momento pressionando a tecla “POWER SELECTOR” [2] uma vez. O led correspondente ao nível de produção programado piscará por alguns segundos. Após esse período, o indicador de produção indicará o nível de produção atual.

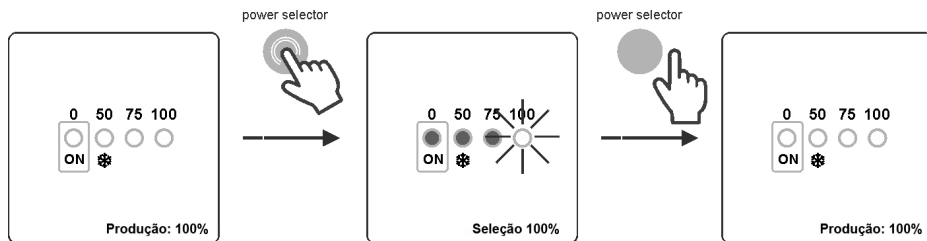


Fig. 14



**Modo INVERNO:** durante os períodos de baixa temperatura da água, onde a demanda de cloro será baixa, selecione um nível de produção [1] de **50%**. Desta forma o consumo de energia e vida útil do conjunto de eletrodos são otimizados.

### 5.3. Modo TESTE

Para entrar no modo TESTE, baixar o nível de produção para **"0 %"** a través de pressões sucessivas na tecla **"POWER SELECTOR" [2]** (Fig. 15)

Assim que o sistema parar mantenha a mesma tecla premida durante 10 segundos. O sistema indicará ter entrado no modo TESTE iluminando todas as luzes durante um segundo.

Em seguida, selecione o nível de produção desejado pressionando o botão **"POWER SELECTOR" [2]**. Quando o sistema está em MODO DE TESTE, a intensidade do LED indicador "0%" varia em seqüência.

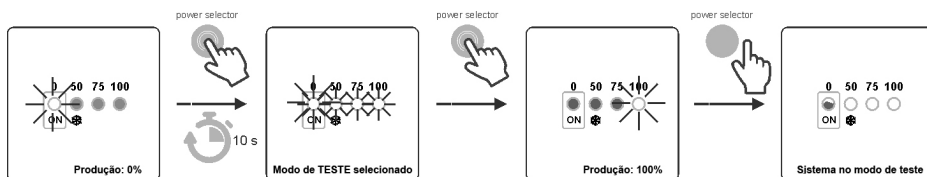


Fig. 15

Quando o sistema entra em modo de TESTE, o sistema coloca o temporizador de troca de polaridade e o nível de produção seleccionado a zero. Neste modo o sistema está totalmente operacional, efectuando-se as inversões de polaridade dos eléctrodos **de 2 em 2 minutos**. Para sair do MODO TESTE, o sistema deve ser desligado da rede de 230 Vac por alguns segundos. Quando o sistema é ligado novamente, volta automaticamente ao programa de auto-limpeza prévio.

## 5.4. Alarmes

- **NIVEL DE SAL ELEVADO**

No caso de se ter acrescentado sal em excesso, a fonte de alimentação irá diminuir o nível de potência com referência ao seleccionado. A luz "SALT" [3] vai manter-se iluminada. Neste caso, deve-se esvaziar uma parte da piscina, (por exemplo 10%) e acrescentar água fresca para diminuir a concentração de sal. Para um conhecimento preciso do nível de sal recomendamos que utilize um medidor portátil de salinidade-temperatura.

- **NIVEL DE SAL BAIXO**

No caso do nível de sal na água da piscina estar abaixo do recomendado, a fonte de alimentação não poderá alcançar o nível de saída seleccionado. A luz "SALT" [3] vai piscar. É possível que o sistema indique níveis de sal inferiores aos reais se a temperatura for inferior a 20°C, ou se o eletrodo chegou ao fim da sua vida útil. Neste caso, determinar o nível de salinidade da água e acrescentar o sal necessário. O tipo de sal comum (NaCl) indicado para a electrólise salina não deve apresentar aditivos (anti-espessante, iodetos) e deve ser apto ao consumo humano. Para um conhecimento preciso do nível de sal recomendamos que utilize um medidor portátil de salinidade-temperatura.

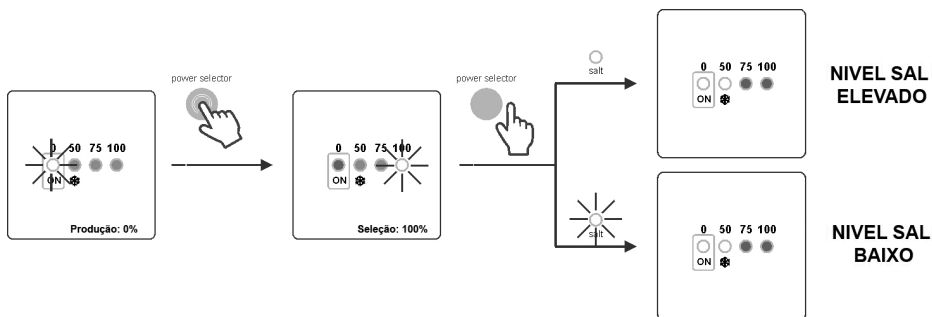
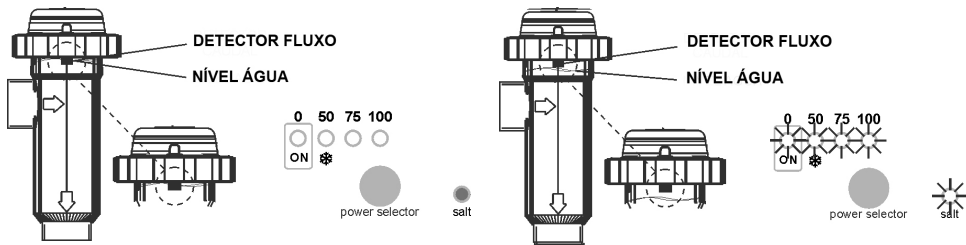


Fig. 16

- **NÍVEL DE ÁGUA EM CÉLULA/DETECTOR DE FLUXO (GÁS)**

Se em qualquer momento se formar uma bolha de ar ou de gás na parte superior da célula de electrólise e o DETECTOR DE FLUXO não estiver submerso, o sistema vai desligar automaticamente a produção, e todos os leds do painel de controlo piscarão. O sistema reinicia automaticamente assim que se restitua a passagem de água pela célula ou a bolha seja evacuada.



1. Detector de gás submerso. Sistema em funcionamento.

2. Gás detectado. Sistema parado.

Fig. 17

- **CONTROL EXTERNO [JP2] ACTIVADO**

Quando o controlador externo detecta um valor superior ao setpoint programado, desliga automaticamente a produção e o led "0%" da escala de produção [1] cintila.

## 6. MANUTENÇÃO:

---

### 6.1. Manutenção da célula de electrólise

A célula deve ser mantida em condições adequadas para garantir um longo tempo de funcionamento. O sistema de electrólise salina conta com um sistema de limpeza automática dos eléctrodos. Assim, evita-se a formação de incrustações calcárias nos mesmos, portanto não se prevê a necessidade de efectuar nenhuma limpeza nos mesmos. No entanto, caso seja necessário realizar uma limpeza no interior da célula, proceder da seguinte forma:

1. Desligar a alimentação 230 Vac do equipamento.
2. Desenroskar a porca de fecho situada na extremidade onde se encontram os eléctrodos, e retirar o conjunto de eléctrodos.
3. Utilizar uma solução diluída de ácido clorídrico (uma parte de ácido em 10 partes de água), imergindo o grupo de eléctrodos na mesma durante 10 minutos no máximo.
4. NUNCA RASPAR NEM ESCOVAR A CÉLULA OU OS ELÉCTRODOS.

Os eléctrodos de um sistema de electrólise salina constituem-se por lâminas de titânio revestidas com uma camada de óxidos de metais nobres. Os processos de electrólise que têm lugar na sua superfície produzem o seu desgáste progressivo, portanto, com o fim de otimizar o tempo de duração dos mesmos, é preciso considerar os seguintes aspectos:

1. Apesar de se tratarem de sistemas de electrólise salina AUTO-LIMPANTES, o funcionamento prolongado do sistema com valores de pH acima de 7,6 em águas de alta dureza pode produzir a acumulação de depósitos calcários na superfície dos eléctrodos. Estes depósitos deteriorarão progressivamente o revestimento, ocasionando uma diminuição do seu tempo de vida útil.
2. A realização de limpezas/lavagens frequentes dos eléctrodos (como os descritos anteriormente) reduzirá a sua vida útil.
3. O funcionamento prolongado do sistema com salinidades inferiores a 3 g/l produz uma deterioração prematura dos eléctrodos.
4. A utilização frequente de produtos algicidas com alto conteúdo de cobre pode produzir a deposição do mesmo nos eléctrodos, danificando progressivamente o revestimento. Lembre-se que o cloro é o melhor algicida.



## 7. SOLUÇÃO DE PROBLEMAS: \_\_\_\_\_

Qualquer acção necessária para solucionar possíveis problemas no equipamento deve ser realizada sempre com o equipamento desligado da alimentação eléctrica. Os problemas não contemplados na lista abaixo devem ser solucionados por um técnico qualificado.

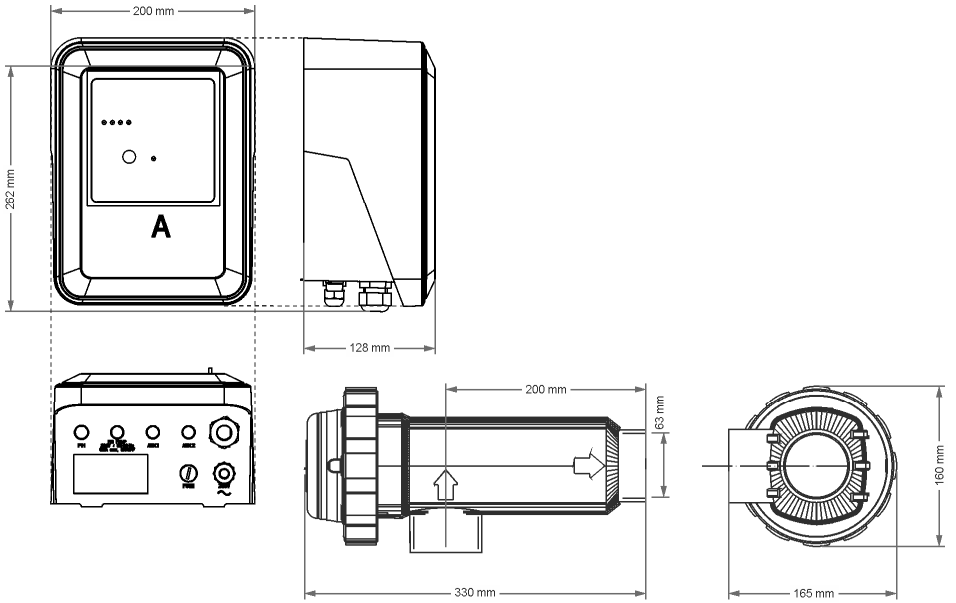
PROBLEMA	SOLUÇÃO
<b>O indicador de produção indica sempre "0" em qualquer nível de produção escolhido.</b>	Verificar os eléctrodos. Verificar as conexões entre a fonte de alimentação e a célula de electrólise. Verificar a concentração de sal.
<b>A fonte de alimentação não liga.</b>	Verificar se o sistema está convenientemente conectado a 230 V/50-60 Hz no quadro de manobra da piscina. Verificar o estado do fusível localizado na parte inferior do equipamento.
<b>Os níveis de cloro livre na água são muito baixos</b>	Colher uma amostra nos bicos de retorno à piscina e efectuar uma análise ao cloro. Verificar se os parâmetros químicos da água (pH, cloro combinado, ácido isocianúrico) são correctos. Aumentar o tempo de filtração. Acrescentar estabilizante de cloro (ácido cianúrico) até alcançar um nível 25-30 g./m <sup>3</sup> .

## 8. CARACTERÍSTICAS TÉCNICAS:

ESPECIFICAÇÕES TÉCNICAS:	
<b>Tensão de serviço standard</b> 230V AC - 50/60 Hz. Cable: MOD. 12 MOD. 21	3x1.0 mm <sup>2</sup> , 2 m. 0.4 A 0.4 A 0.8 A
<b>Fusível</b> MOD. 12 MOD. 21	2 AT (5x20 mm) 2 AT (5x20 mm)
<b>Voltagem saída</b> Cabo MOD. 12 MOD. 21	3x2.5 mm <sup>2</sup> , 2m. 10.5 VDC / 6.0 A 23.0 VDC / 3.5 A
<b>Produção</b> MOD. 12 MOD. 21	10 ... 12 g/h 17 ... 21 g/h
<b>Fluxo recirculação mínimo</b> MOD. 12 MOD. 21	2 m <sup>3</sup> /h 3 m <sup>3</sup> /h
<b>Número eléctrodos</b> MOD. 12 MOD. 21	5 7
<b>Peso líquido (embalagem incluído)</b> MOD. 12 MOD. 21	6.5 Kg. 8.5 Kg.

CARACTERÍSTICAS GERAIS:
<b>Sistema de controlo</b> <ul style="list-style-type: none"> <li>• Microprocessador.</li> <li>• Teclado de membrana com botões de controlo e indicadores de funcionamento.</li> <li>• E/S controlo: 2 entradas tipo contacto livre de potencial para estado de cobertura automática e controlador externo (ORP, CLORO RESIDUAL, etc.).</li> <li>• Saída célula: controlo de produção</li> <li>• Margem salinidade / Temperatura: 3 - 12 g/l. / +15 - 40°C.</li> </ul>
<b>Auto-limpeza</b> Automática, por inversão da polaridade
<b>Temperatura de trabalho</b> 0°C a +.50°C Refrigeração: convecção natural
<b>Material</b> <ul style="list-style-type: none"> <li>• Fonte de alimentação ABS</li> <li>• Célula de electrólise Metacrilato transparente</li> </ul>

## Dimensões



## **9. CONDIÇÕES DE GARANTIA:**

---

### **9.1. ASPECTOS GERAIS**

- 9.1.1. De acordo com estas disposições, o vendedor garante que o Produto que corresponde a esta não apresente nenhuma falta de conformidade no momento da sua entrega.
- 9.1.2. O Período de Garantia Total é de 2 ANOS.
- 9.1.3. O Período de garantia conta-se desde o momento da sua entrega ao comprador. O eléctrodo está coberto por uma garantia de 2 ANOS (ou 3.000 horas) sem prorrogações. Se se verificar uma falta de conformidade do Produto e o comprador o notificar ao vendedor durante o período de garantia, o vendedor deverá reparar ou substituir o Produto a custo próprio no local que considerar oportuno, salvo se for impossível ou desproporcionado.
- 9.1.4. Quando não for possível reparar ou substituir o Produto, o comprador poderá solicitar uma redução proporcional do preço ou, se a falta de conformidade for suficientemente importante, a resolução do contrato de venda.
- 9.1.5. As partes substituídas ou reparadas no âmbito desta garantia não ampliam o prazo de garantia original do Produto, se bem que dispõem da sua própria garantia.
- 9.1.6. Para a efectividade da presente garantia, o comprador deverá autenticar a assinatura de aquisição e entrega do Produto.
- 9.1.7. Quando hajam decorrido mais de seis meses desde a entrega do Produto ao comprador e este alegue falta de conformidade daquele, o comprador deverá autenticar a origem e a existência do defeito alegado.
- 9.1.8. O presente Certificado de Garantia não limita ou prejudica os direitos que correspondam aos consumidores em virtude de normas nacionais de carácter imperativo.

### **9.2. CONDIÇÕES PARTICULARES**

- 9.2.1. Para a eficácia desta garantia, o comprador deverá seguir estritamente as indicações do Fabricante incluídas na documentação que acompanha o Produto, quando esta for aplicável de acordo com a gama e modelo do Produto.
- 9.2.2. Quando for especificado um calendário para a substituição, manutenção ou limpeza de certas peças ou componentes do produto, a garantia só será válida quando seja correctamente cumprido o referido calendário.

### **9.3. LIMITAÇÕES**

- 9.3.1. A presente garantia será unicamente de aplicar nas vendas realizadas a consumidores, entendendo-se por “consumidor” aquela pessoa que adquire o Produto com fins que não entram no âmbito da sua actividade profissional.
- 9.3.2. Não se outorga qualquer garantia a respeito do normal desgaste pelo uso do produto, nem a respeito das peças, componentes e/ou materiais fungíveis ou consumíveis (com excepção do eléctrodo).
- 9.3.3. A garantia não cobre os casos em que o Produto: (i) tenha sido objecto de tratamento incorrecto; (ii) tenha sido inspeccionado, reparado, efectuada manutenção ou manipulado por pessoa não autorizada; (iii) tenha sido reparado ou efectuada manutenção com peças não originais ou (iv) tenha sido instalado ou colocado em funcionamento de modo incorrecto.

- 9.3.4. Quando a falta de conformidade do Produto seja consequência de uma instalação incorrecta ou funcionamento incorrecto, a presente garantia apenas responderá quando a dita instalação ou funcionamento esteja incluído no contrato de compra e venda do Produto e tenha sido realizada pelo vendedor ou sob a sua responsabilidade.
- 9.3.5. Danos ou falhas do produto devido a qualquer uma das seguintes causas:

- Programação do sistema e/ou calibragem inadequado das sondas de pH/ORP por o usuário
- Funcionamento com salinidade inferior a 3 g./l. de cloreto de sódio e/ou temperaturas inferiores à 15°C ou superiores à 40°C.
- Funcionamento com pH superior a 7,6.
- Emprego de produtos químicos não autorizados de forma expressa.
- Exposição a ambientes corrosivos e/ou a temperaturas inferiores a 0°C ou superiores a 50°C.

## 10. DECLARAÇÃO DE CONFORMIDADE CE \_\_\_\_\_

A seguinte gama de sistemas de eletrólise de sal está certificada para uso final em piscinas:

### Produtos Certificados:

#### **SCG60 (MOD.12), SCG100 (MOD.21).**

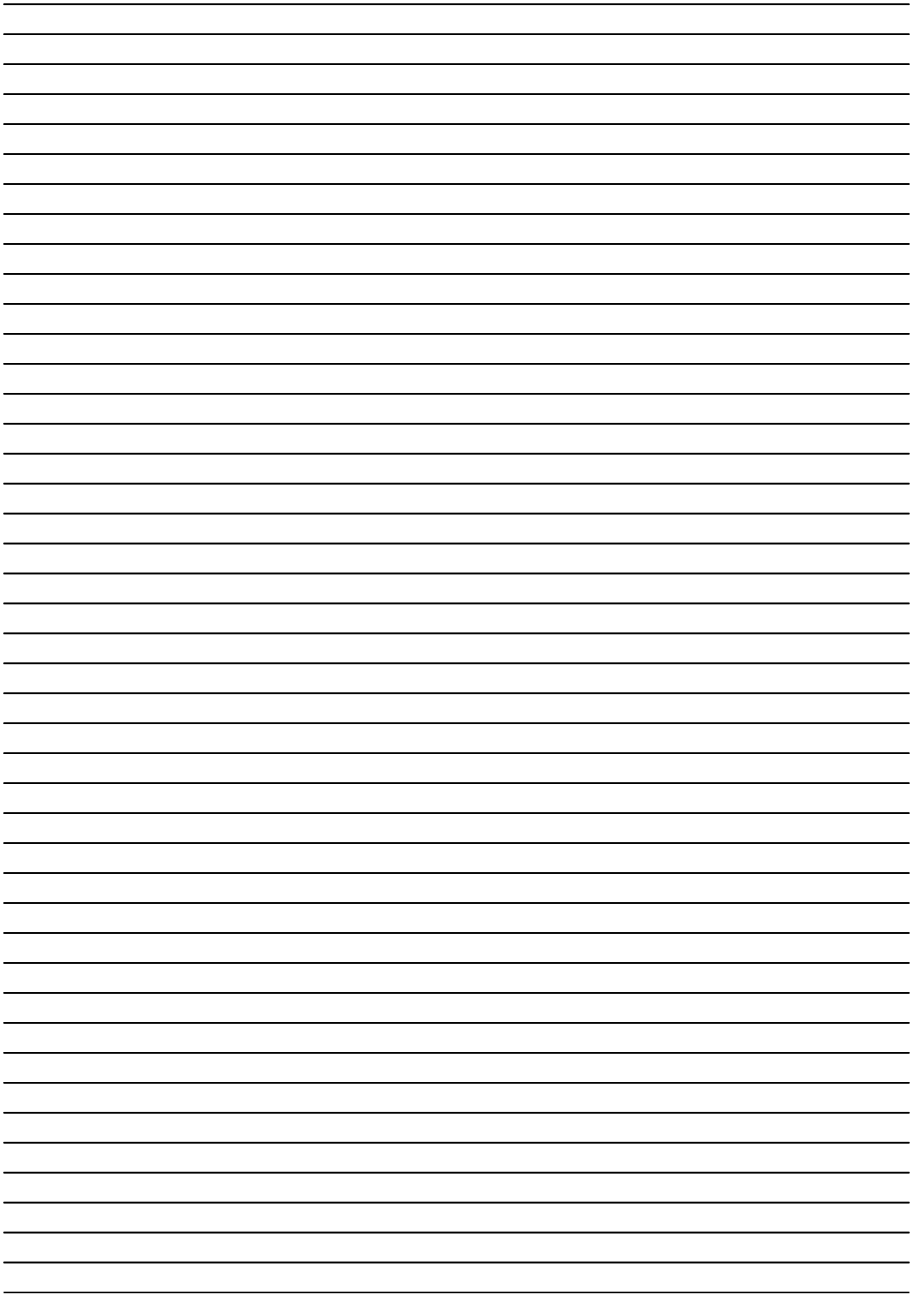
Os produtos mencionados acima estão de acordo com as seguintes diretrizes CE e normas:

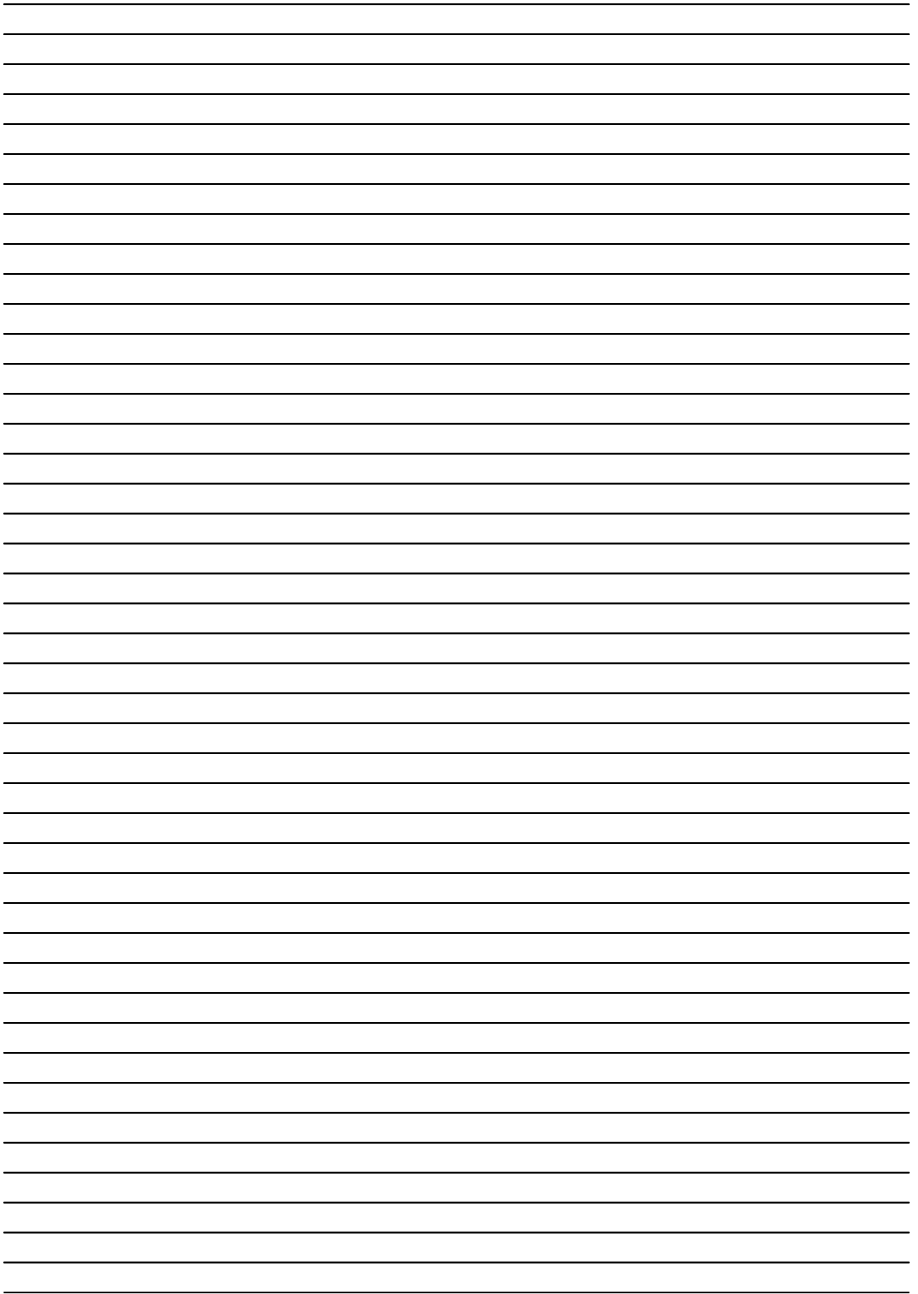
- Diretiva de Baixa Tensão (LVD) 2014/35 / UE.
- Diretiva de compatibilidade eletromagnética (EMC) 2014/30 / UE.
- Diretiva ROHS 2011/65 / EC

I.D. ELECTROQUIMICA, S.L.  
Pol. Ind. Atalayas, c./ Dracma R-19  
E-03114 Alicante  
Espanña

Gaspar Sánchez  
Gerente

Data: 01/02/2017







DISTRIBUTED BY / DISTRIBUIDO POR / DISTRIBUÉ PAR / VERTRIEB DURCH / DISTRIBUITO DA / DISTRIBUÍDO POR:  
**MANUFACTURAS GRE, S.A. ARITZ BIDEA Nº 57 BELAKO INDUSTRIALDEA, APARTADO 69 - 48100 MUNGUIA (VIZCAYA) ESPAÑA Nº Reg. Ind. 48-06762**  
MADE IN CHINA / FABRICADO EN CHINA / FABRIQUÉ AU CHINE / HERGESTELLT IN CHINA / PRODOTTO IN CHINA / FABRICADO NA RPC